

1106102 SPIN 15 A 230V 50HZ

3226807_1106102_R14W - R14W (6/12/2021)



Access Platform Division

Via San Francesco d'Assisi, 8 - 46020 Pegognaga (Mantova) - ITALY Tel. +39 0376
554011 - Fax +39 0376 559855

www.imergroup.com

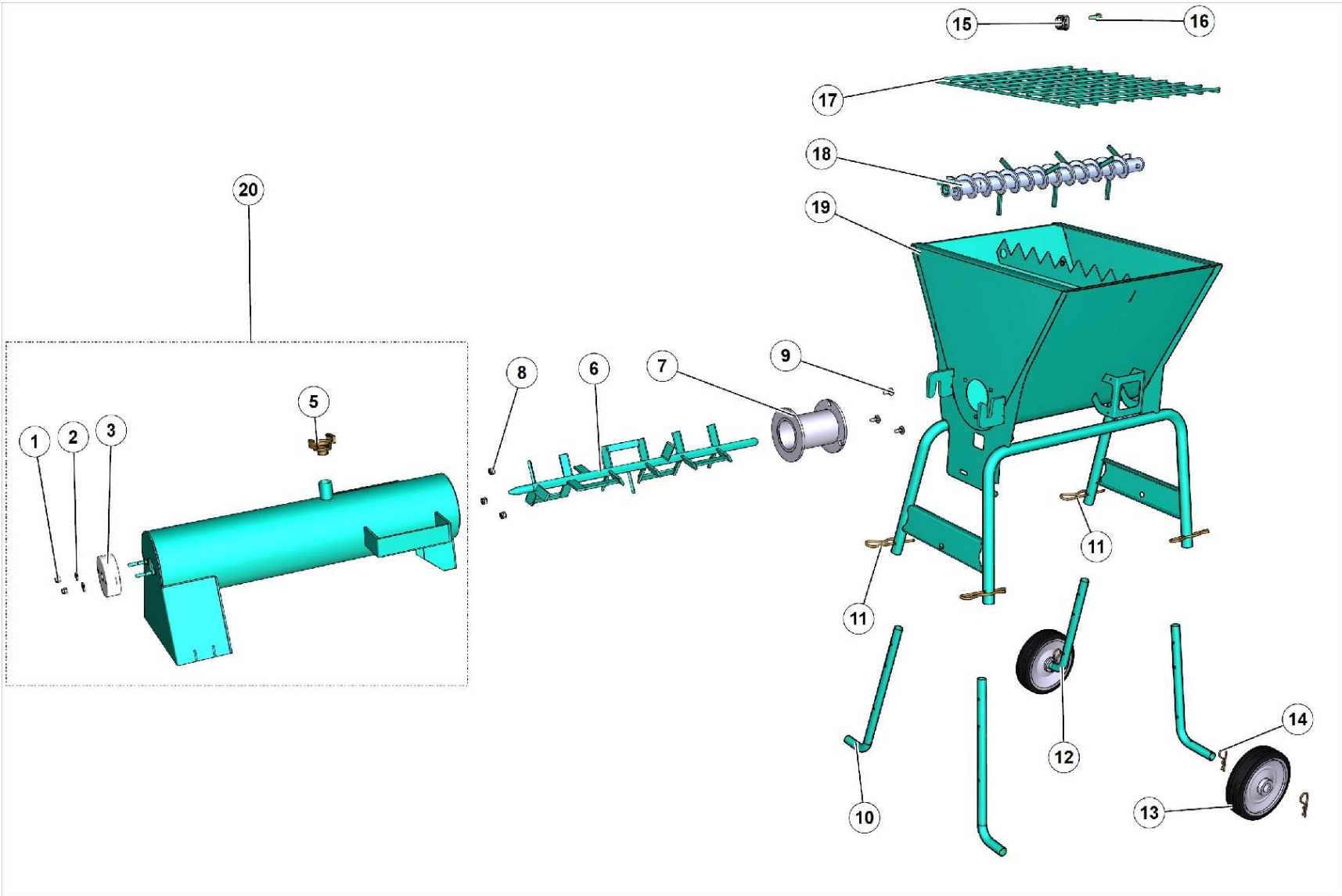
Building Equipment Division

Via della Meccanica, 39 (Zona Industriale Sentino) - 53040 Rapolano Terme
(Siena) - ITALY - Tel. +39 0577 97341 - Fax +39 0577 704077

www.imergroup.com

www.imerglobalcustomercare.com

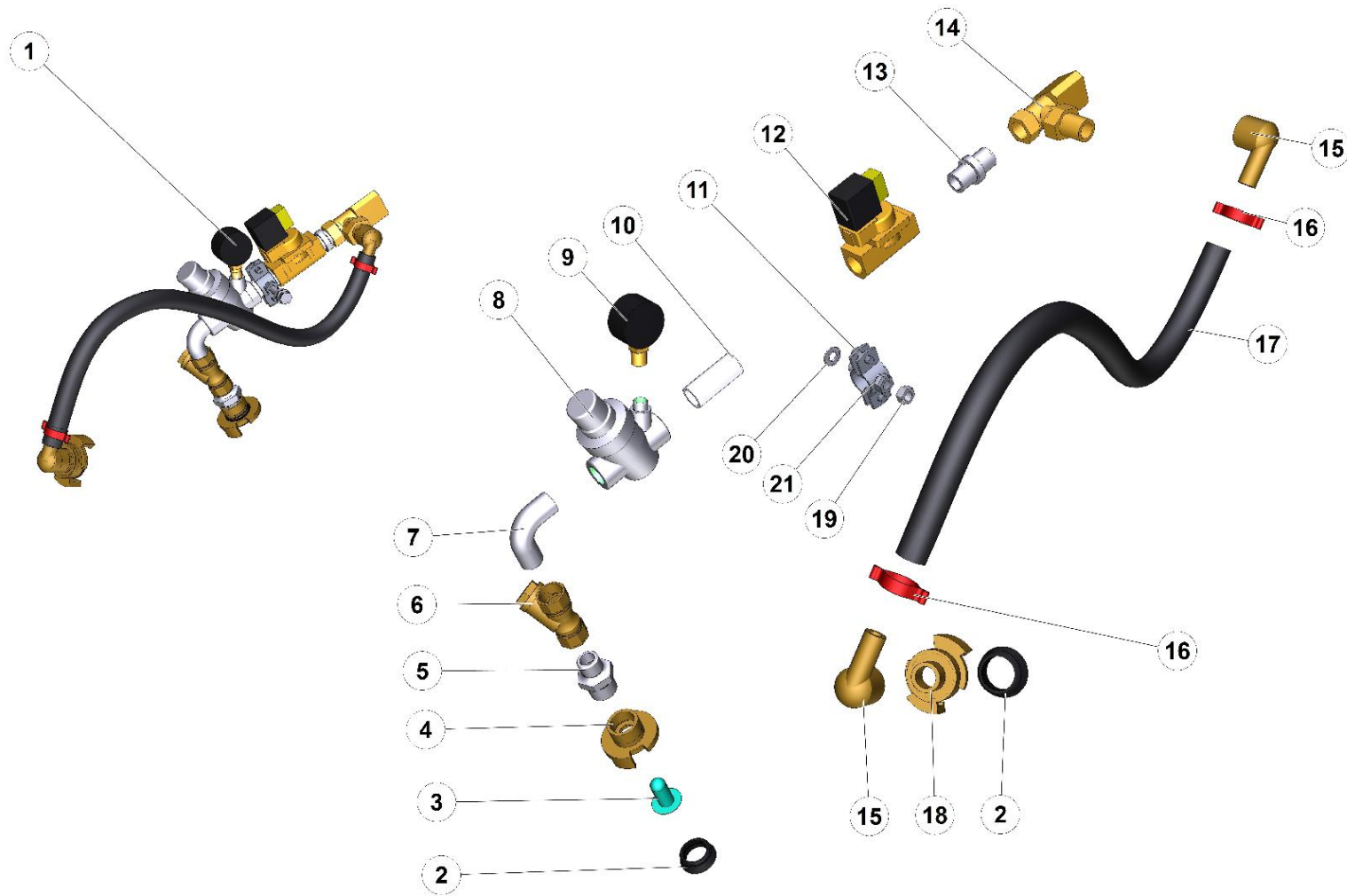
FRAME





N.	CODE	DESCRIPTION	UM	QTY
1	2223924	NUT	PZ	2.0
2	2224531	WASHER	PZ	2.0
3	3226559	SUPPORT	PZ	1.0
5	3224203	RAPID FIXATION/SCREW PUMP	PZ	1.0
6	3226706	MIXER	PZ	1.0
7	3226708	BUSHING	PZ	1.0
8	2223923	LOCK NUT	PZ	3.0
9	3223987	SCREW TTCQ 5732-65 M8X20 Z	PZ	3.0
10	3226560	COLLAPSIBLE LEG	PZ	2.0
11	3223903	SPLIT PIN	PZ	4.0
12	3226561	COLLAPSIBLE LEG	PZ	2.0
13	3209809	WHEELS	PZ	2.0
14	2226700	SPLIT PIN	PZ	4.0
15	3236962	SPIN GRID LOCK	PZ	1.0
16	3230236	SCREW TE 8.8 FLANGED KNURLED 8X25 Z	PZ	1.0
17	3226549	GRID	PZ	1.0
18	3226707	SHAFT	PZ	1.0
19	3226550	DRUM	PZ	1.0
20	3239149	SPIN15 MIXER CHAMBER WITH FULL SWING SPO	PZ	1.0

WATER CIRCUIT





N.	CODE	DESCRIPTION	UM	QTY
1	3226665	WATER SYSTEM	PZ	1.0
2	3223697	GASKET/MORTAR PUMP	PZ	2.0
3	3223639	WATER FILTER/MORTAR PUMP	PZ	1.0
4	3223636	QUICK CONNECTOR	PZ	1.0
5	3225605	NIPPLES	PZ	1.0
6	3227840	FILTER	PZ	1.0
7	3227947	ELBOW FITTING	PZ	1.0
8	3228211	GEARBOX	PZ	1.0
9	3227182	PRESSURE GAUGE	PZ	1.0
10	3224381	BRANCH	PZ	1.0
11	3226677	COLLAR	PZ	1.0
12	3227839	'EV.SIRAI L182B14 1/2" ZB12A 230V'	PZ	1.0
13	3224362	NIPPLE	PZ	1.0
14	3223627	VALVE	PZ	1.0
15	3224580	HOSE CONNECTOR	PZ	2.0
16	3223638	RING CLIP	PZ	2.0
17	3224608	HOSE	M	1.0
18	3224203	RAPID FIXATION/SCREW PUMP	PZ	1.0
19	2223570	NUT	PZ	1.0
20	2224140	ROLLER 6593	PZ	1.0
21	2222004	SCREW/SAW	PZ	1.0

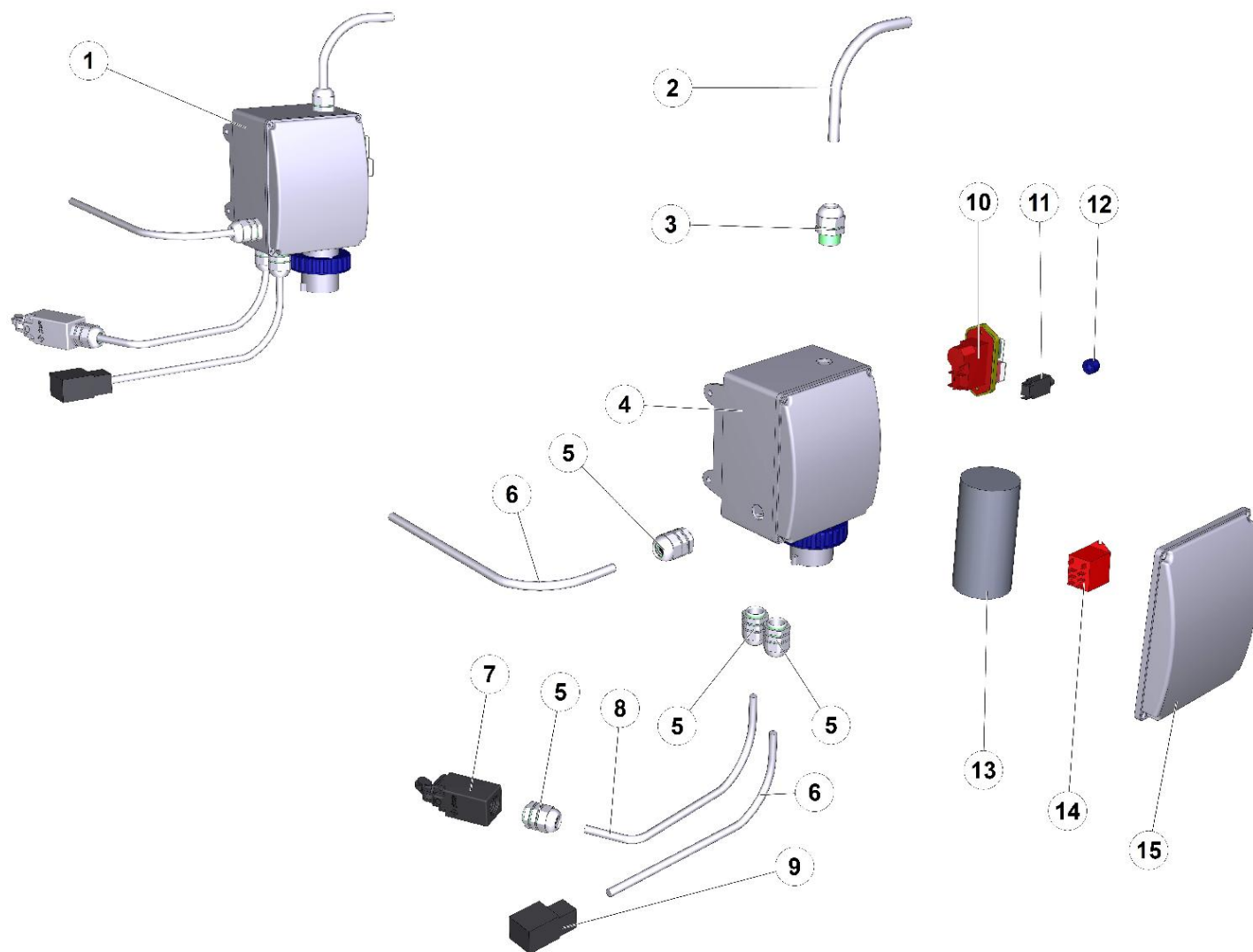


N.	CODE	DESCRIPTION	UM	QTY
1	3226628	GEARMOTOR SPIN 15 230V-50HZ	PZ	1.0
2	3230846	CAPACITOR START TEMP. 60MF 220/240V 50-6	PZ	1.0
3	3230847	ELECTRIC BOX + COVER MOTOR SPIN 15	PZ	1.0
4	2207490	STOP RING	PZ	1.0
5	2227660	STOP RING	PZ	1.0
6	2204220	Bearing	PZ	1.0
7	3226631	RING	PZ	1.0
8	3226623	SHAFT	PZ	1.0
9	2229450	KEY	PZ	1.0
10	3226630	SPACER	PZ	1.0
11	3226632	GEARING	PZ	1.0
12	2227240	STOP RING	PZ	1.0
13	2204550	Bearing	PZ	1.0
14	2216331	GASKET	PZ	1.0
15	2228820	Gudgeon pin	PZ	2.0
16	2204440	Bearing	PZ	2.0
17	2237301	SPACER	PZ	1.0
18	3226633	GEARING	PZ	1.0
19	2201130	SHAFT	PZ	1.0
20	2229327	KEY	PZ	1.0
21	3234947	GEARING		1.0



N.	CODE	DESCRIPTION	UM	QTY
22	3225254	GEARMOTOR FLANGE	PZ	1.0
23	2235420	level	PZ	1.0
24	2222509	SCREW	PZ	1.0
25	2222513	SCREW	PZ	2.0
26	2222514	SCREW	PZ	5.0
27	3234584	ELECTRIC MOTOR 1.4KW 220-240V50HZ SPIN 1	PZ	1.0
28	2291453	FAN	PZ	1.0
29	3209369	Fan cover	PZ	1.0
30	3226627	SHELL	PZ	1.0

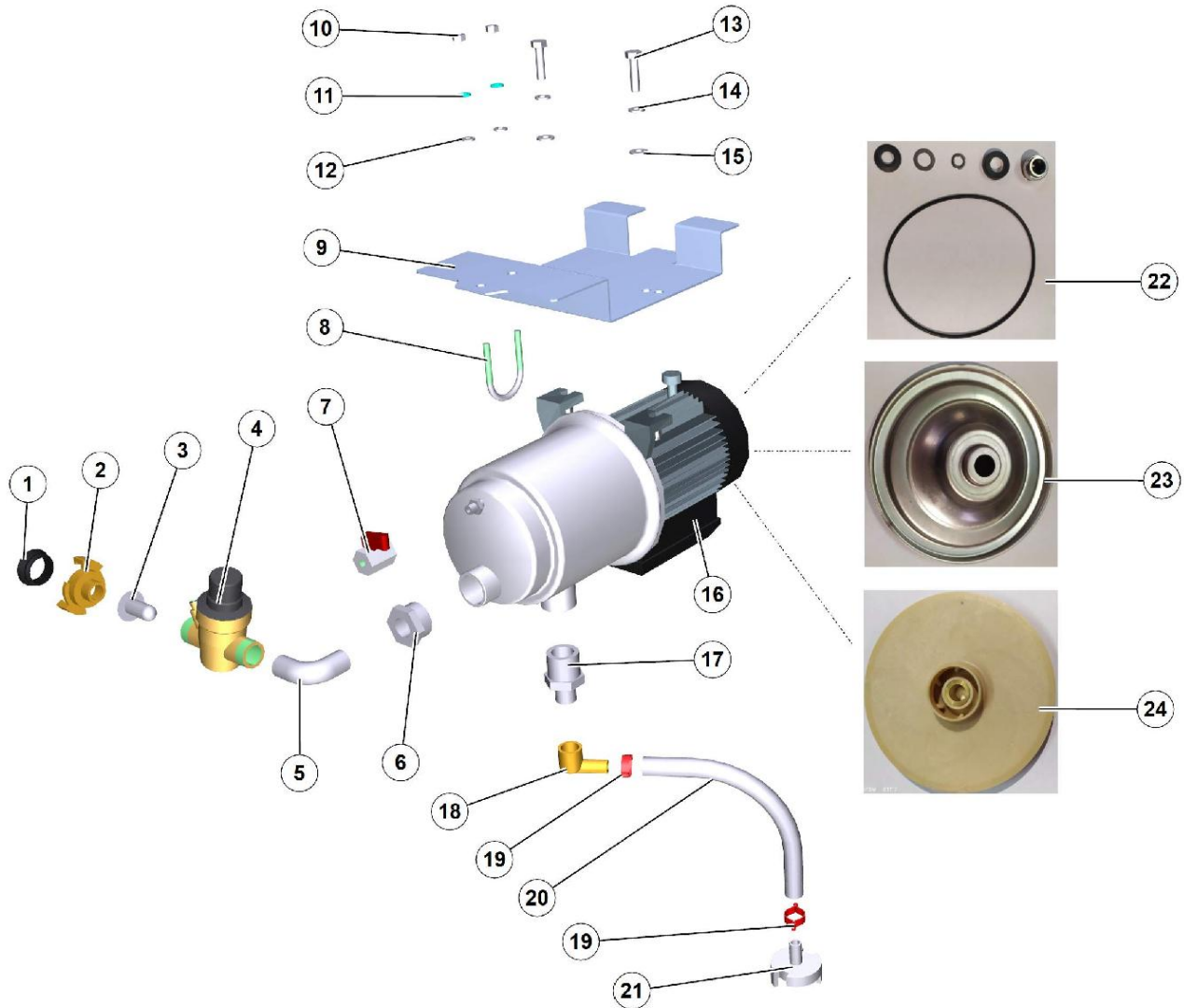
ELECTRIC PANEL





N.	CODE	DESCRIPTION	UM	QTY
1	3227334	ELECTRICAL SYSTEM SPIN 15-A 230V-50/60Hz	PZ	1.0
2	2277798	NEOPRENE CABLE H07RNF5X1,5L85		1.0
3	1283940	CABLE CLAMP	PZ	1.0
4	3234051	SPIN 15 COMPLETE ELECTRICAL BOX WITH PLU	PZ	1.0
5	1283924	CABLE CLAMP	PZ	4.0
6	2277650	CABLE	M	2.0
7	3214791	Limit switch	PZ	1.0
8	2277645	NEOPRENE CABLE H07RNF 2X1,5	M	1.0
9	3226204	CONNECTOR	PZ	1.0
10	3209337	SWITCH	PZ	1.0
11	2283239	SWITCH	PZ	1.0
12	2283243	SWITCH COVER/SAW	PZ	1.0
13	3209504	CONDENSER	PZ	1.0
14	3227335	RELAY	PZ	1.0
15	3226046	COVER	PZ	1.0

WATER PUMP



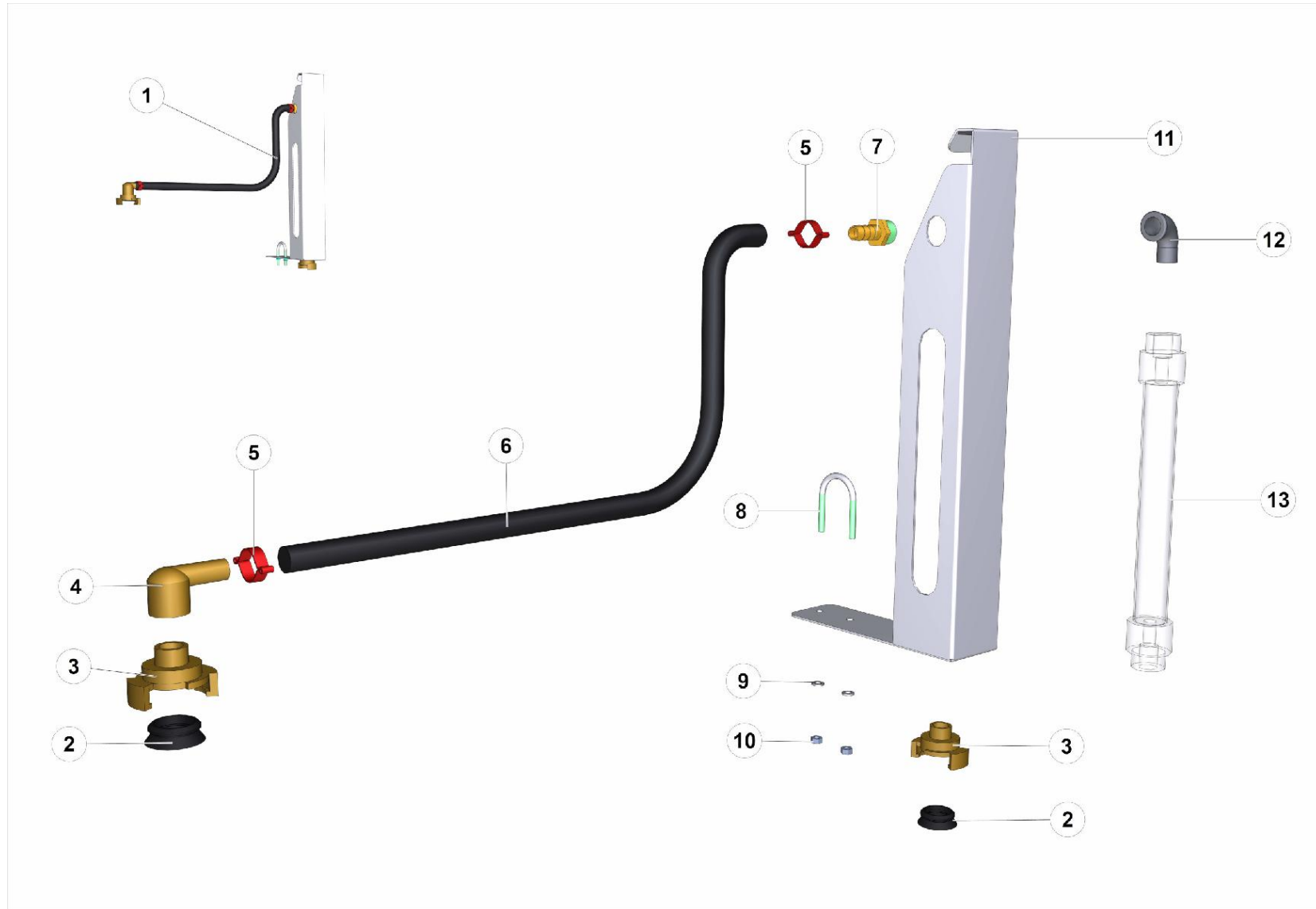


N.	CODE	DESCRIPTION	UM	QTY
1	3223697	GASKET/MORTAR PUMP	PZ	1.0
2	3223636	QUICK CONNECTOR	PZ	1.0
3	3223639	WATER FILTER/MORTAR PUMP	PZ	1.0
4	3228211	GEARBOX	PZ	1.0
5	3227947	ELBOW FITTING	PZ	1.0
6	3224591	REDUCTION	PZ	1.0
7	3223620	VALVE	PZ	1.0
8	3227431	GANTRY	PZ	1.0
9	3227387	PLATE	PZ	1.0
10	2223280	NUT	PZ	2.0
11	2224055	ROLLER	PZ	2.0
12	2224530	ROLLER/MN	PZ	2.0
13	2222006	SCREW	PZ	2.0
14	2224060	ROLLER GROWER	PZ	2.0
15	2224140	ROLLER 6593	PZ	2.0
16	3227460	PUMP	PZ	1.0
17	3224349	NIPPLE	PZ	1.0
18	3224580	HOSE CONNECTOR	PZ	1.0
19	3227824	BAND RING	PZ	2.0
20	3224608	HOSE	M	1.0
21	3223615	RAPID CONNECTION/SCREW PUMP	PZ	1.0



N.	CODE	DESCRIPTION	UM	QTY
22	3234481	XJM61C PUMP MECHANICAL SEAL KIT	PZ	1.0
23	3238786	XJM61 CD PUMP SEAL HOLDER. 616008	PZ	1.0
24	3234529	3.02.13.03.131 IMPELLER (PUMP XJM61C)	PZ	1.0

FLOW METER KIT





N.	CODE	DESCRIPTION	UM	QTY
1	1107601			1.0
2	3223697	GASKET/MORTAR PUMP	PZ	2.0
3	3224203	RAPID FIXATION/SCREW PUMP	PZ	2.0
4	3224580	HOSE CONNECTOR	PZ	1.0
5	3223638	RING CLIP	PZ	2.0
6	3224579	WATER HOSE	PZ	1.0
7	3223613	HOSE CLAMP/SCREW PUMP	PZ	1.0
8	3227431	GANTRY	PZ	1.0
9	2224530	ROLLER/MN	PZ	2.0
10	2223280	NUT	PZ	2.0
11	3230844	SPIN 15 FLOW METER SUPPORT	PZ	1.0
12	3224351	ELBOW FITTING	PZ	1.0
13	3223633	FLOW METER	PZ	1.0



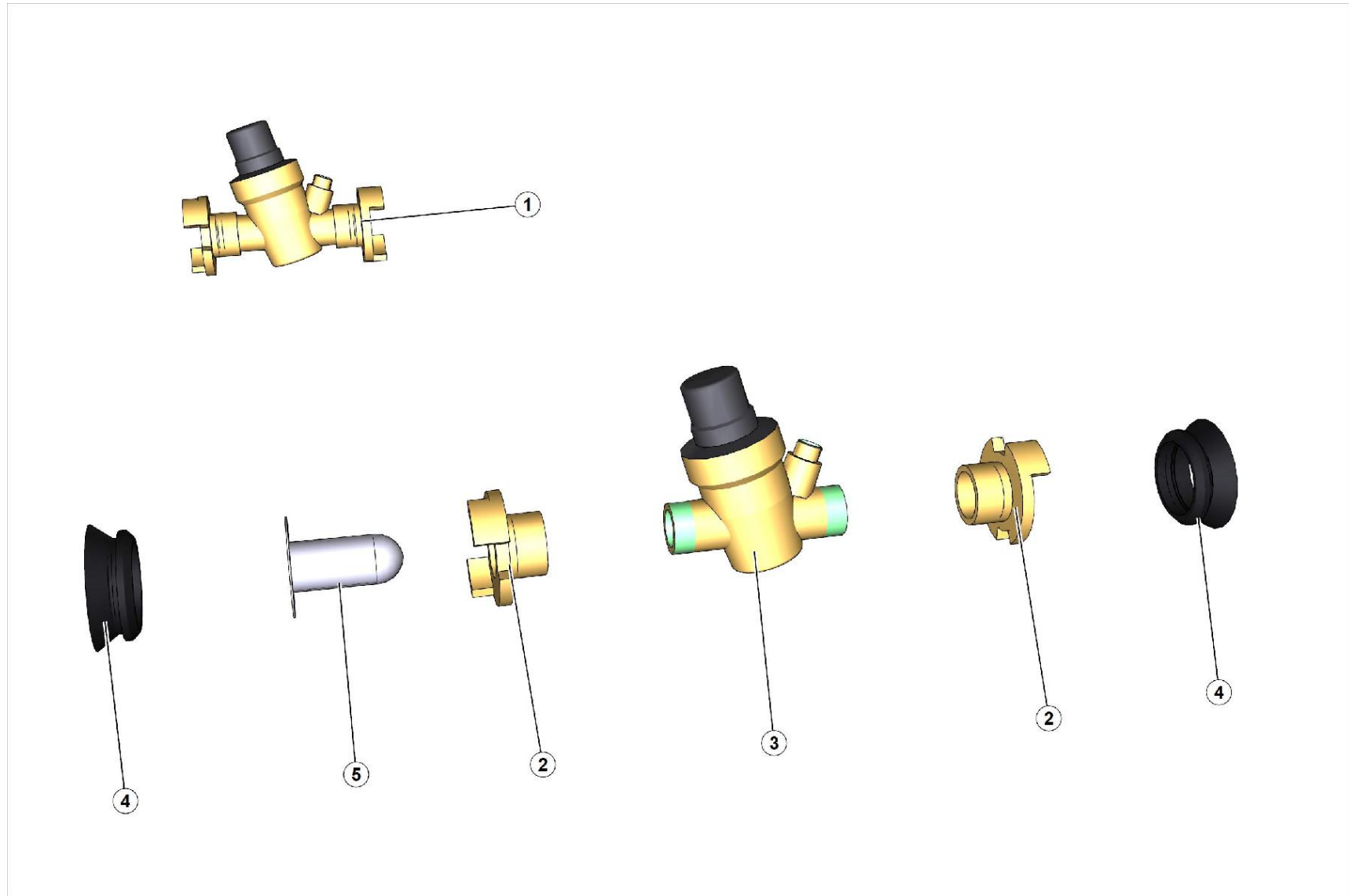
WATER HOSE





N.	CODE	DESCRIPTION	UM	QTY
1	3227714	TUBE	PZ	1.0
2	3223706	WATER HOSE	PZ	1.0

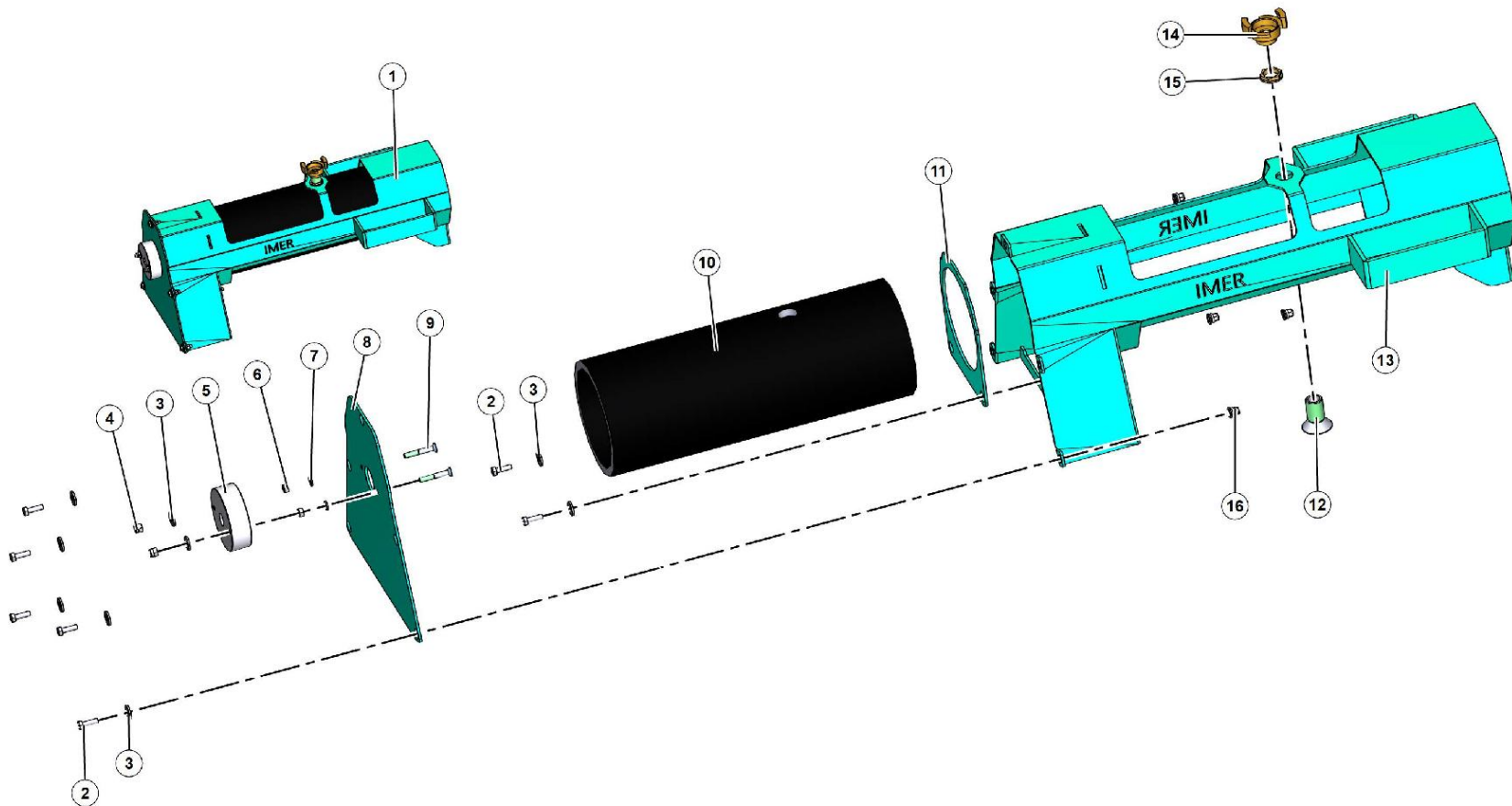
KIT REDUCTION PRESSURE UNIT





N.	CODE	DESCRIPTION	UM	QTY
1	1106517			1.0
2	3223636	QUICK CONNECTOR	PZ	2.0
3	3228211	GEARBOX	PZ	1.0
4	3223697	GASKET/MORTAR PUMP	PZ	2.0
5	3223639	WATER FILTER/MORTAR PUMP	PZ	1.0

MIXING CHAMBER SPIN15A Z-CLEAN





N.	CODE	DESCRIPTION	UM	QTY
1	1106154	MIXING CHAMBER SPIN15A Z-CLEAN		1.0
2	2222016	SCREW	PZ	7.0
3	2224531	WASHER	PZ	9.0
4	2223924	NUT	PZ	2.0
5	3226559	SUPPORT	PZ	1.0
6	2223280	NUT	PZ	2.0
7	2224055	ROLLER	PZ	2.0
8	3238770	CARTER BODY	PZ	1.0
9	3227211	SCREW TSPEI 5933 6X40 z		1.0
10	3238774	CARTER BODY	PZ	1.0
11	3238768	CARTER BODY	PZ	1.0
12	3238773	CARTER BODY	PZ	1.0
13	3238766	CARTER BODY	PZ	1.0
14	3224382	QUICK COUPLING	PZ	1.0
15	3223730	FLANGED RINGNUT	PZ	1.0
16	3231185	M6 THREADED INSERT HEX SEAT	PZ	5.0



Access Platform Division

Via San Francesco d'Assisi, 8 - 46020 Pegognaga (Mantova) - ITALY Tel. +39 0376
554011 - Fax +39 0376 559855

www.imergroup.com

Building Equipment Division

Via della Meccanica, 39 (Zona Industriale Sentino) - 53040 Rapolano Terme
(Siena) - ITALY - Tel. +39 0577 97341 - Fax +39 0577 704077

www.imergroup.com