

1157150
G 500 230V 50HZ 42 MT

3233791_1157150_R12W - R12W (17/1/2022)



Access Platform Division

Via San Francesco d'Assisi, 8 - 46020 Pegognaga (Mantova) - ITALY Tel. +39 0376
554011 - Fax +39 0376 559855

www.imergroup.com

Building Equipment Division

Via della Meccanica, 39 (Zona Industriale Sentino) - 53040 Rapolano Terme
(Siena) - ITALY - Tel. +39 0577 97341 - Fax +39 0577 704077

www.imergroup.com

www.imerglobalcustomercare.com

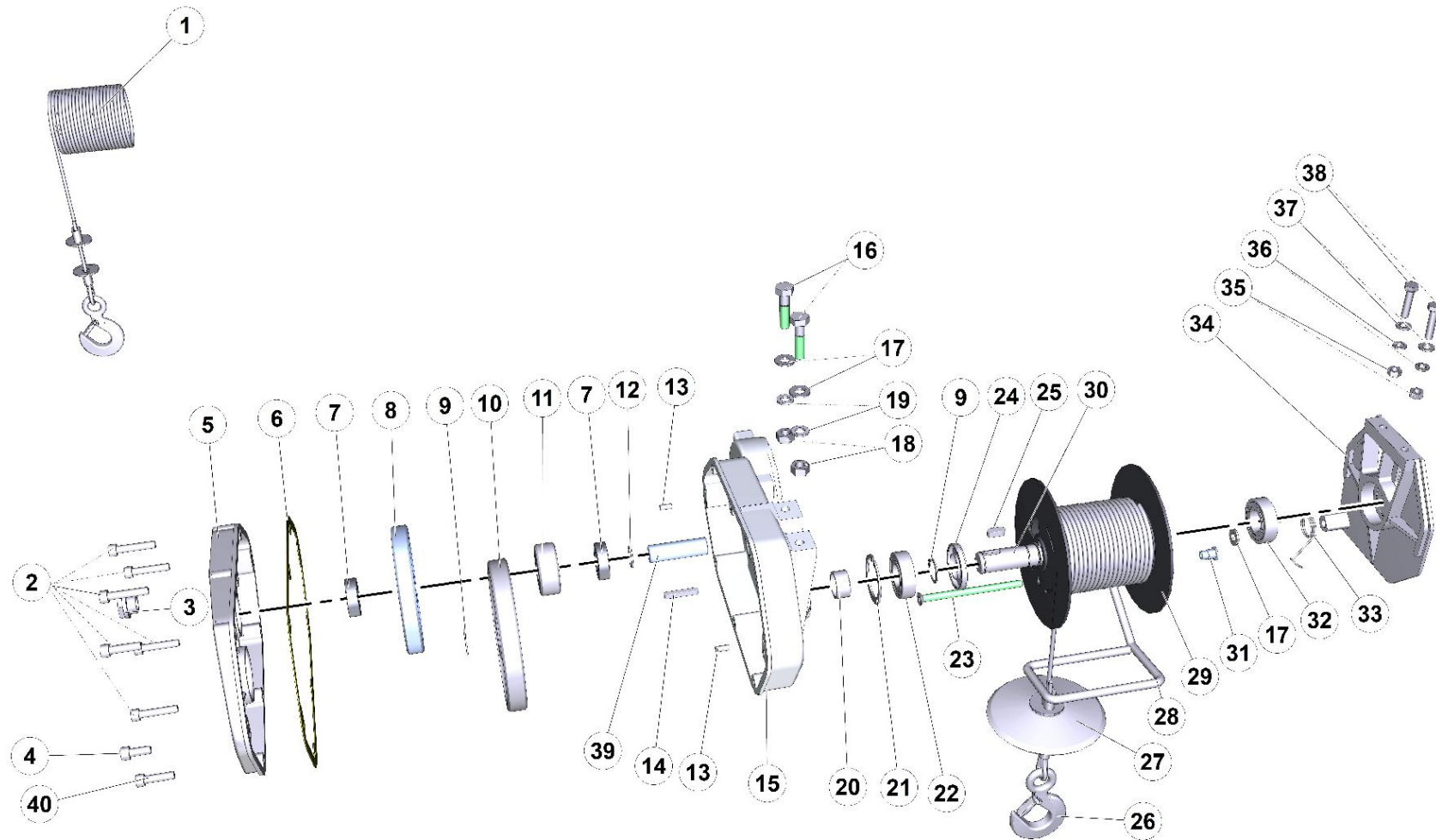
FRAME





N.	CODE	DESCRIPTION	UM	QTY
1	2222099	SCREW	PZ	2.0
2	2224340	ROLLER/MORTAR PUMP	PZ	2.0
3	2224074	2224074 WASHER LOCK	PZ	2.0
4	2223650	NUT	PZ	2.0
5	2222099	SCREW	PZ	2.0
6	2224340	ROLLER/MORTAR PUMP	PZ	2.0
7	2224074	2224074 WASHER LOCK	PZ	2.0
8	2223650	NUT	PZ	2.0
9	3233747	PAINTED FRAME		1.0
10	2204300	Bearing	PZ	4.0
11	3234023	UNIVERSAL WHEELS 1000 GALVANIZED	PZ	4.0
12	2223927	NUT	PZ	1.0
13	3233419	FRAME BRAKE SPRING ET 500 N GALVANIZED	PZ	1.0
14	3213581	Lever	PZ	1.0
15	2284876	HANDLE	PZ	1.0
16	2222017	SCREW	PZ	1.0

GEAR BOX ROPE



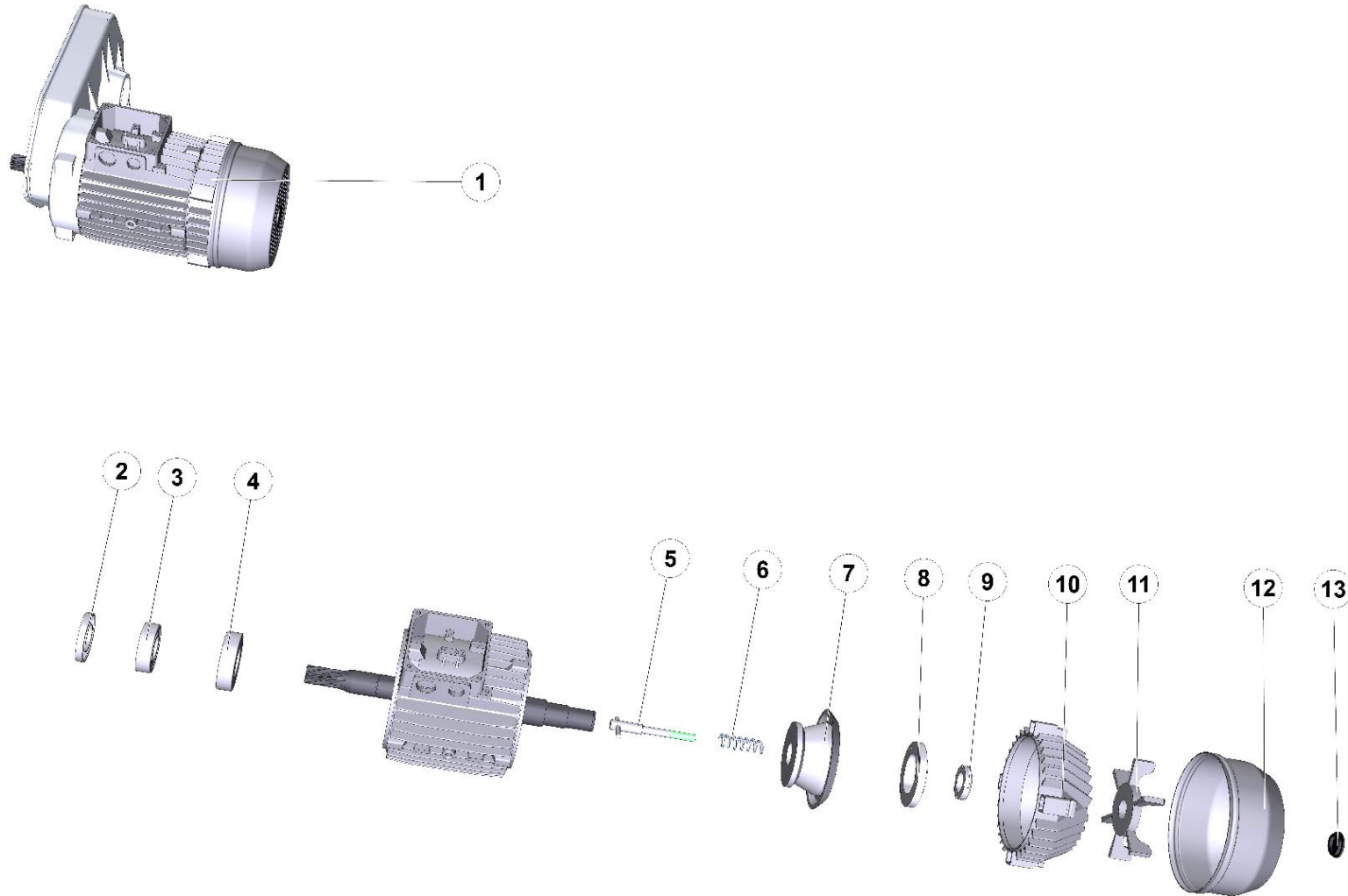


N.	CODE	DESCRIPTION	UM	QTY
1	3234195	KIT HOOK + ROPE 6X43M	PZ	1.0
2	2222514	SCREW	PZ	5.0
3	2235420	level	PZ	1.0
4	2222509	SCREW	PZ	1.0
5	3225254	GEARMOTOR FLANGE	PZ	1.0
6	2216331	GASKET	PZ	1.0
7	2204440	Bearing	PZ	2.0
8	3213528	GEAR Z76 M1,75	PZ	1.0
9	2227280	2227280 RING SNAP	PZ	2.0
10	3233682	GEARING		1.0
11	3233681	GEARING	PZ	1.0
12	2237301	SPACER	PZ	1.0
13	2228820	Gudgeon pin	PZ	2.0
14	3231895	REDUCER CASING ET 300 N HOIST	PZ	1.0
15	3231895	REDUCER CASING ET 300 N HOIST	PZ	1.0
16	2222099	SCREW	PZ	2.0
17	2224340	ROLLER/MORTAR PUMP	PZ	2.0
18	2223650	NUT	PZ	2.0
19	2224074	2224074 WASHER LOCK	PZ	2.0
20	2237299	SPACER	PZ	1.0
21	2227700	STOP RING	PZ	1.0



N.	CODE	DESCRIPTION	UM	QTY
22	3227079	BEARING 6205 - CM	PZ	1.0
23	3211076	BOLT	PZ	1.0
24	2207355	STOP RING	PZ	1.0
25	2229450	KEY	PZ	1.0
26	2213267	HOOK	PZ	1.0
27	2214510	BALLAST B 300	PZ	1.0
28	3233759	UPPER LIMIT SWITCH LEVER ET 1000 TD 42m	PZ	1.0
29	3237299	DRUM D101,6 ET 1000 GALVANIZED	PZ	1.0
30	3233718	SHAFT DRUM 39NICRMO3 BONIF. ET1000	PZ	1.0
31	2224005	THREADED INSERT M8*9418-2822*	PZ	1.0
32	2204391	Bearing	PZ	1.0
33	3225319	SPRING	PZ	1.0
34	3234211	SUPPORT DRUM ET1000 HOIST	PZ	1.0
35	2223650	NUT	PZ	2.0
36	2224074	2224074 WASHER LOCK	PZ	2.0
37	2224340	ROLLER/MORTAR PUMP	PZ	2.0
38	2222099	SCREW	PZ	2.0
39	2201130	SHAFT	PZ	1.0
40	2222513	SCREW	PZ	1.0

MOTOR



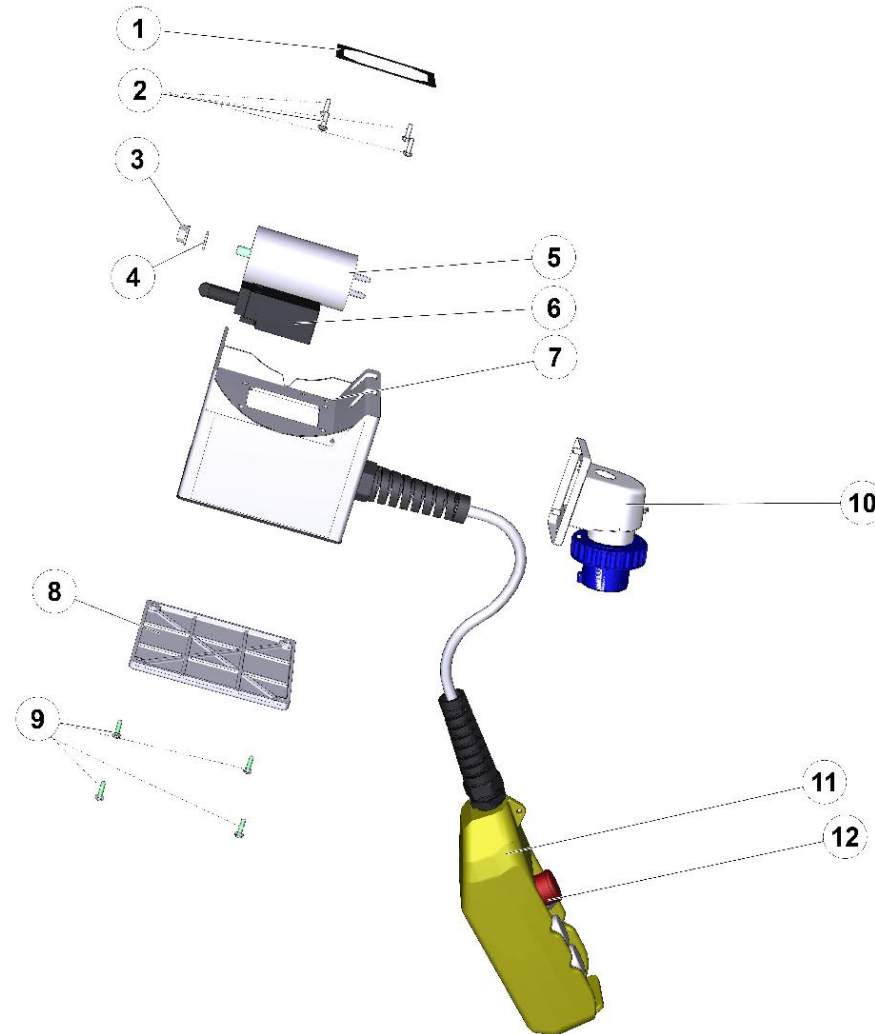
C



N.	CODE	DESCRIPTION	UM	QTY
1	3233788	SELF-BRAKING MOTOR 1,5 KW 230V-50HZ 4POL	PZ	1.0
2	2207355	STOP RING	PZ	1.0
3	2204391	Bearing	PZ	1.0
4	3208952	BEARING/MN	PZ	1.0
5	3225016	ENGINE CYLINDER 4369 230V	PZ	1.0
6	3225015	ENGINE BRAKE SPRING 4369 230V	PZ	1.0
7	3233436	2346174PM ENGINE BRAKE LOG FIR MEC 90	PZ	1.0
8	3233441	FIR MEC 90 MOTOR LOCKING NUT	PZ	1.0
9	3300780	RING M30X1,5	PZ	1.0
10	3233435	PM 2346031 MOTOR FIR MEC SHIELD 90	PZ	1.0
11	3233442	4387042 FAN MOTOR FIR MEC 90	PZ	1.0
12	3233440	234641 ENGINE FAN COVER FIR MEC 90	PZ	1.0
13	3225021	MOTOR FAN COVER CAP 4369 230V	PZ	1.0



ELECTRIC PANEL PENDANT CONTROL



D



N.	CODE	DESCRIPTION	UM	QTY
1	2216321	GASKET	PZ	1.0
2	2222460	SCREW/CONC.MIXER	PZ	4.0
3	2223570	NUT	PZ	1.0
4	2224140	ROLLER 6593	PZ	1.0
5	3231949	CAPACITOR MF. 80 V450 D65X120 FASTON M8	PZ	1.0
6	3234111	MICROINT.A WHEEL FR1017 PIZZATO 2N0	PZ	1.0
7	3224573	ELECTRICAL BOX ET200 N	PZ	1.0
8	3224575	ELECTRICAL BOX COVER TR-ET N	PZ	1.0
9	2222461	SCREW/MN	PZ	4.0
10	3203084	PIN	PZ	1.0
11	3231738	PUSH BUTTON PANEL 3P 30A 3NO+1NC + M25 D	PZ	1.0
12	3234223	'EMERGENCY BUTTON "K" ELEVATOR PUSH BU	PZ	1.0



Access Platform Division

Via San Francesco d'Assisi, 8 - 46020 Pegognaga (Mantova) - ITALY Tel. +39 0376
554011 - Fax +39 0376 559855

www.imergroup.com

Building Equipment Division

Via della Meccanica, 39 (Zona Industriale Sentino) - 53040 Rapolano Terme
(Siena) - ITALY - Tel. +39 0577 97341 - Fax +39 0577 704077

www.imergroup.com