

**1188170**  
**COMBI 250/1000 VA 230V 50HZ**

**3227117\_1188170\_R20W - R20W (20/10/2020)**



**Access Platform Division**

Via San Francesco d'Assisi, 8 - 46020 Pegognaga (Mantova) - ITALY Tel. +39 0376  
554011 - Fax +39 0376 559855

[www.imergroup.com](http://www.imergroup.com)

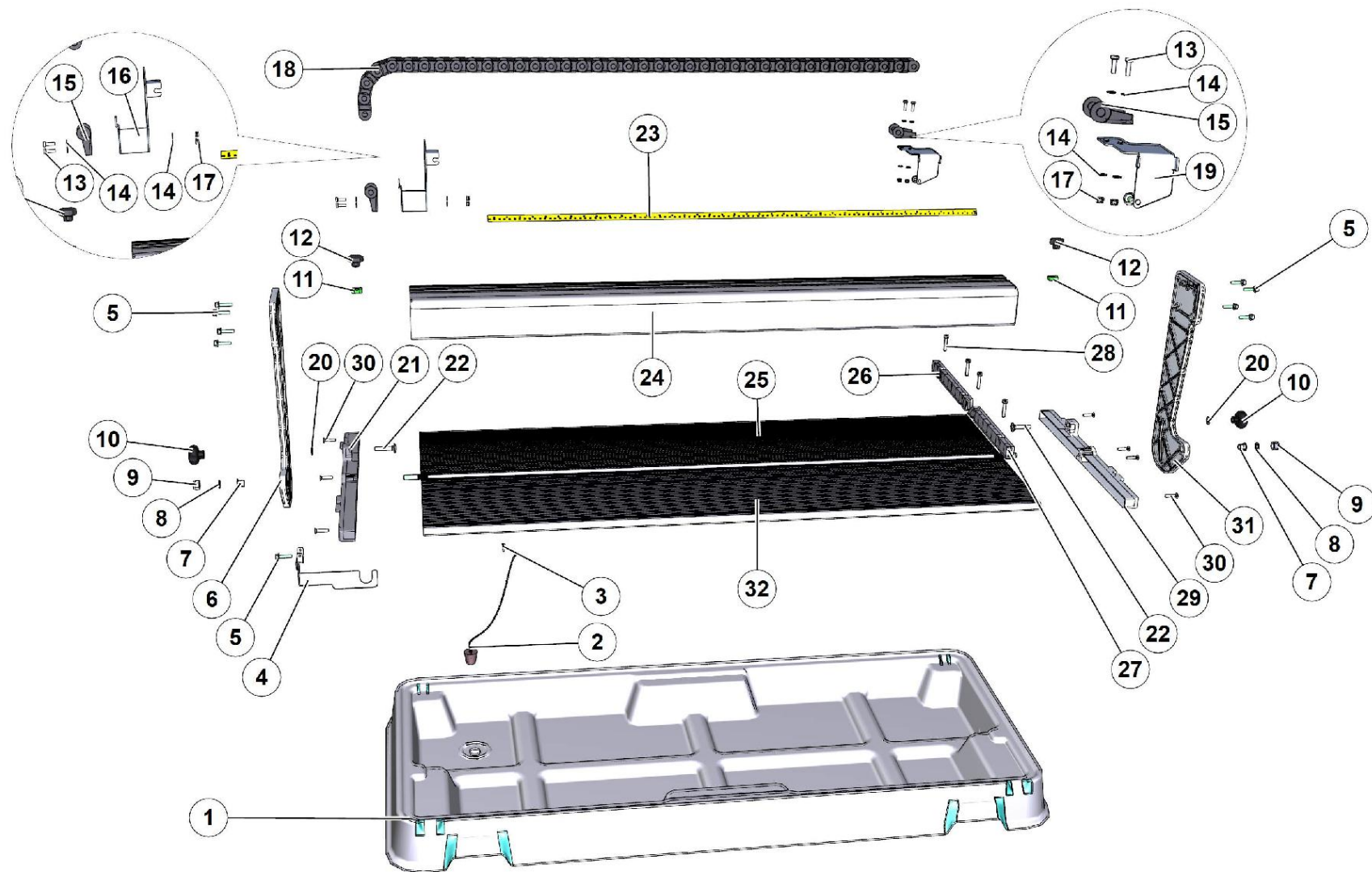
**Building Equipment Division**

Via della Meccanica, 39 (Zona Industriale Sentino) - 53040 Rapolano Terme  
(Siena) - ITALY - Tel. +39 0577 97341 - Fax +39 0577 704077

[www.imergroup.com](http://www.imergroup.com)

[www.imerglobalcustomercare.com](http://www.imerglobalcustomercare.com)

# TABLE AND TRAY



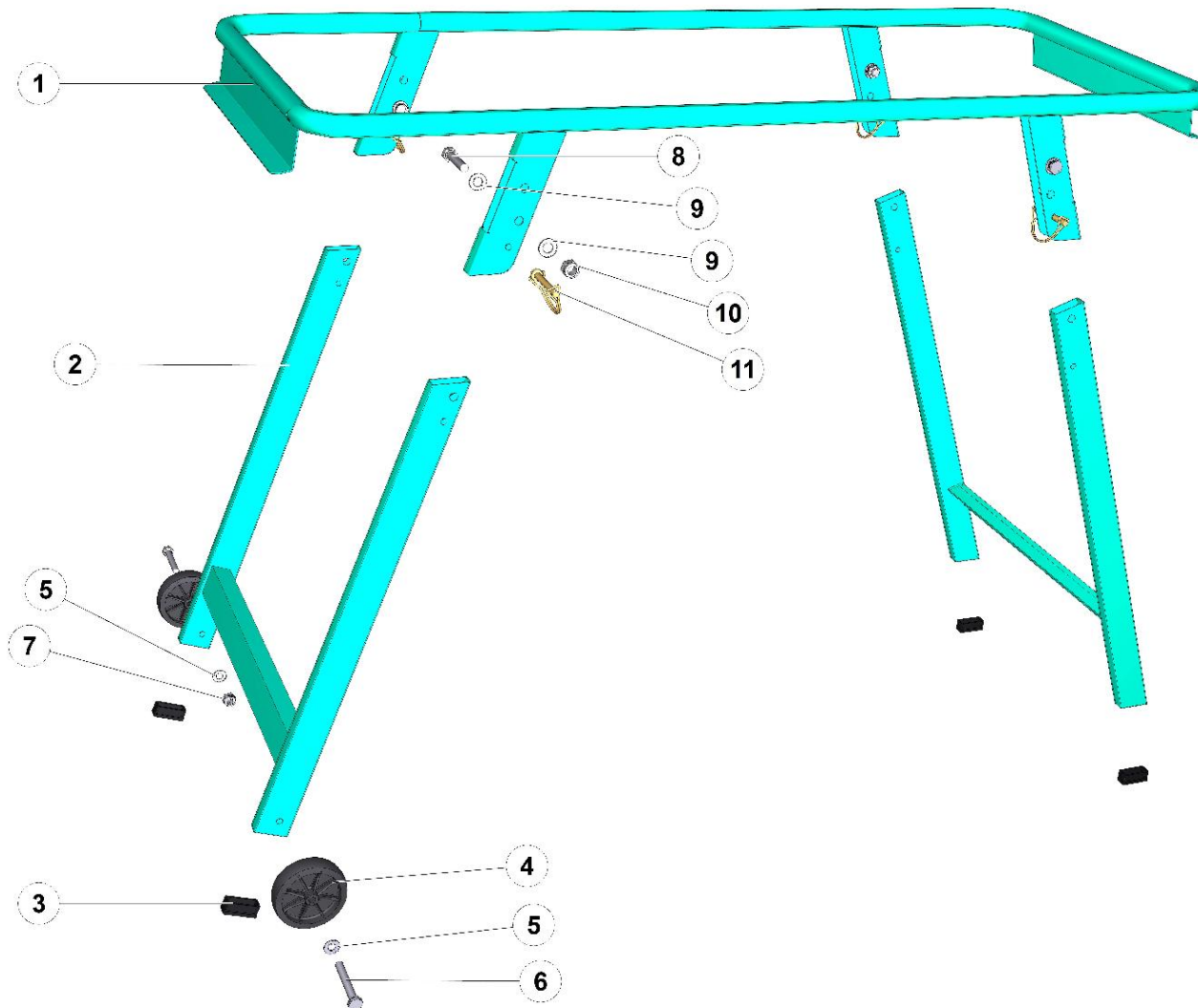


N.	CODE	DESCRIPTION	UM	QTY
1	3226951	TANK/SAW	PZ	1.0
2	2235429	PLUG		1.0
3	2222449	SCREW	PZ	1.0
4	3226949	BRACKET/SAW	PZ	1.0
5	3210099	SCREW	PZ	9.0
6	3226359	DIECASTING	PZ	1.0
7	3226088	SPACER/SAW	PZ	2.0
8	3226087	ROLLER/SAW	PZ	2.0
9	2223920	SELF-LOCKING NUT	PZ	2.0
10	2284866	KNOB/HANDLE	PZ	2.0
11	3210071	NUT/SAW	PZ	2.0
12	3204865	KNOB/SAW	PZ	2.0
13	3209797	BOLT/SAW	PZ	2.0
14	2224529	ROLLER/SAW	PZ	8.0
15	3236631	CM250/1500 CHAIN ATTACHMENT KIT	PZ	2.0
16	3226944	BRACKET/SAW	PZ	1.0
17	2223927	NUT	PZ	4.0
18	3226946	CHAIN	PZ	1.0
19	3226950	BRACKET/SAW	PZ	1.0
20	3210576	WASHER	PZ	2.0
21	3226070	REAR SIDE/SAW	PZ	1.0



N.	CODE	DESCRIPTION	UM	QTY
22	3226747	BOLT/SAW	PZ	2.0
23	3226795	MILLIMETER STRP/SAW	PZ	1.0
24	3227459	TRAVEL BEAM/SAW	PZ	1.0
25	3227485	RH TABLE/SAW	PZ	1.0
26	3226073	RH FENCE/SAW	PZ	1.0
27	3226074	LH FENCE/SAW	PZ	1.0
28	2222545	SCREW	PZ	4.0
29	3226069	FRONT SIDE/SAW	PZ	1.0
30	2222584	BOLT/SAW	PZ	7.0
31	3226357	SUPPORT/SAW	PZ	1.0
32	3227486	LH TABLE/SAW	PZ	1.0

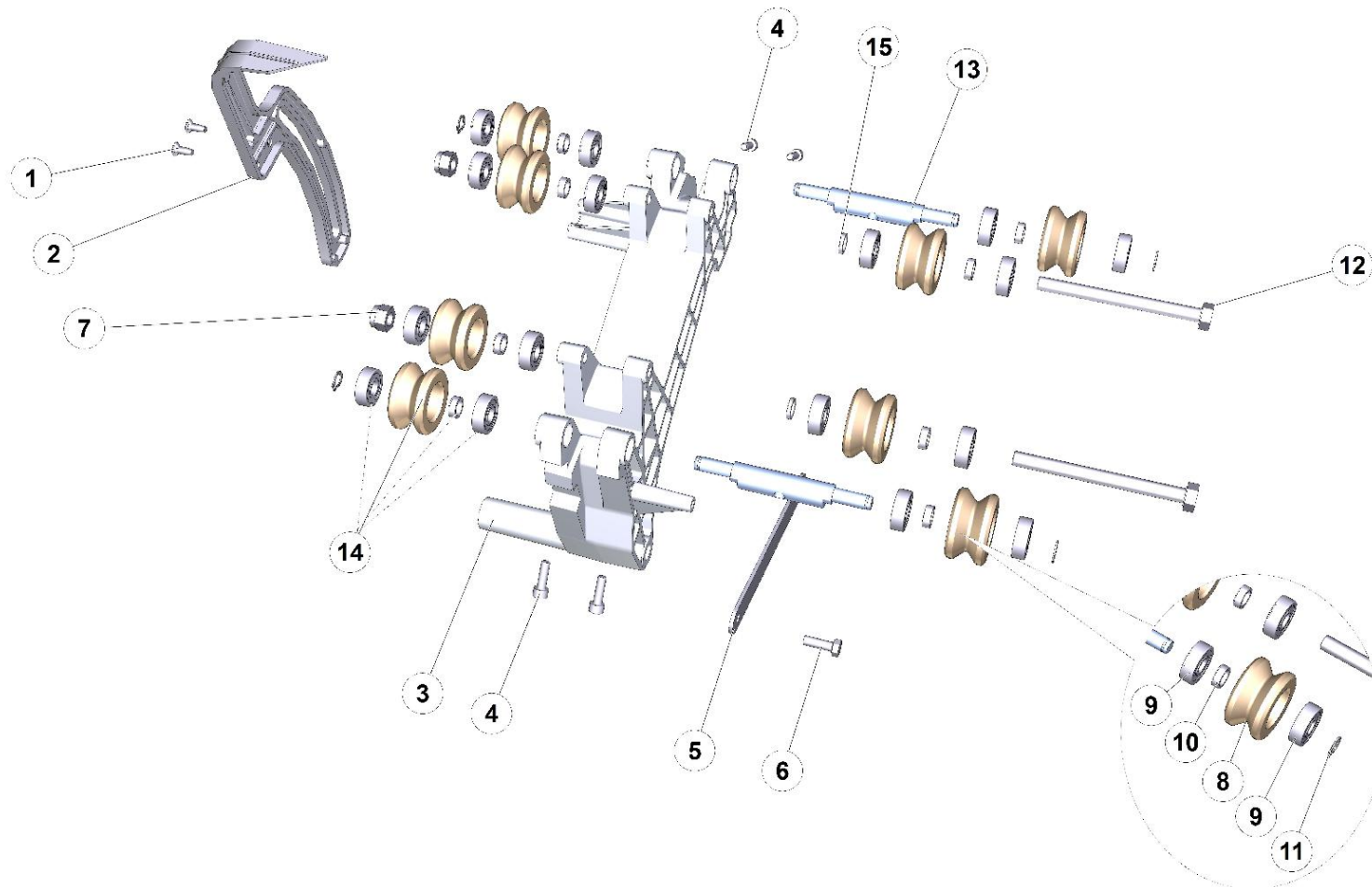
FRAME





N.	CODE	DESCRIPTION	UM	QTY
1	3237390	PAINTED FRAME	PZ	1.0
2	3237392	CM250/1000 VA PAINTED REAR LEGS FRAME	PZ	1.0
3	3226976	CAP/SAW	PZ	4.0
4	3205257	WHEEL	PZ	2.0
5	2224340	ROLLER/MORTAR PUMP	PZ	4.0
6	3229916	SCREW TE 8.8 5739 M10X75 Z	PZ	2.0
7	2223920	SELF-LOCKING NUT	PZ	2.0
8	3224959	SCREW	PZ	4.0
9	2224380	WASHER/SAW	PZ	8.0
10	2223921	NUT	PZ	4.0
11	3223143	PIN/SAW	PZ	4.0

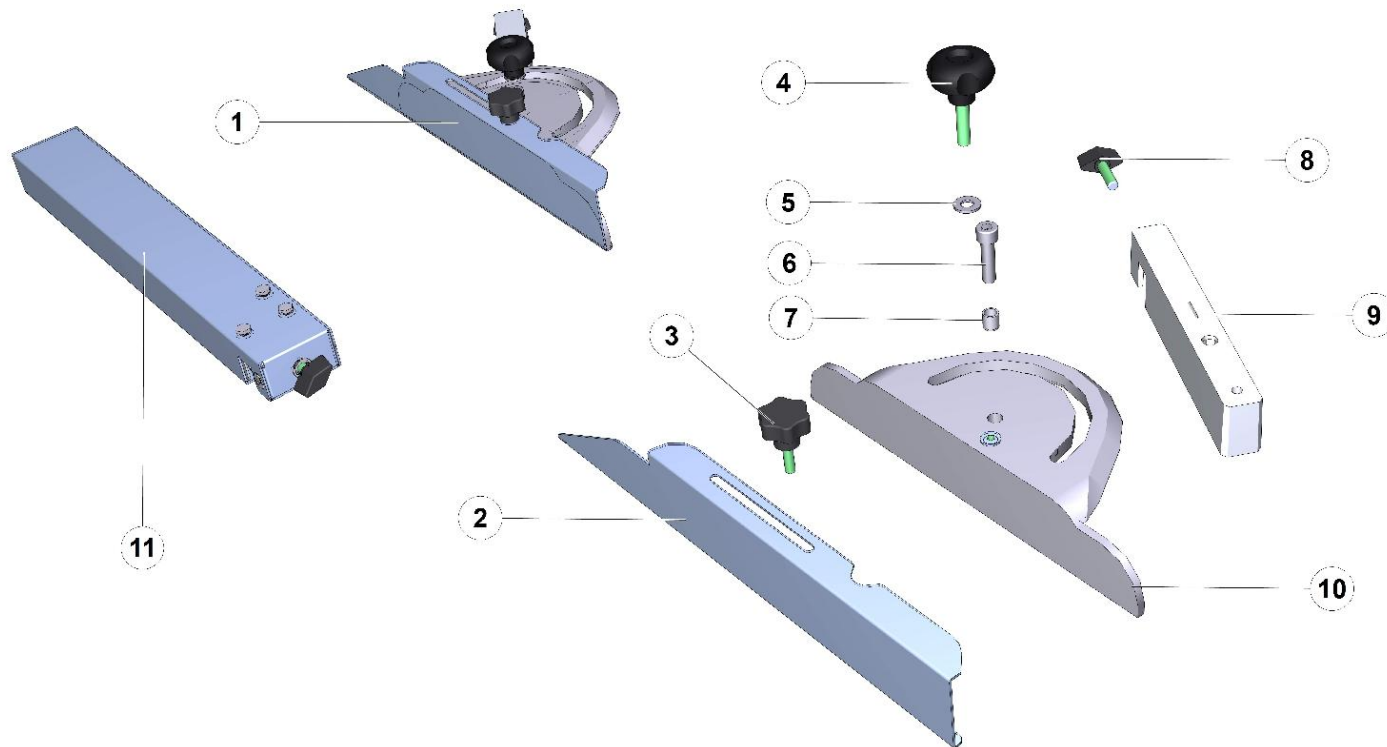
# CARRIAGE





N.	CODE	DESCRIPTION	UM	QTY
1	3210105	SCREW/SAW	PZ	2.0
2	3210028	HANDLE BRACKET/SAW	PZ	1.0
3	3210031	CARRIAGE CASTING/SAW	PZ	1.0
4	3210036	SCREW	PZ	4.0
5	3210029	BLADE GUARD/SAW	PZ	1.0
6	2222000	SCREW	PZ	1.0
7	2223923	LOCK NUT	PZ	2.0
8	3207397	ROLLER/SAW	PZ	8.0
9	3204945	BEARING	PZ	16.0
10	3207393	SPACER	PZ	8.0
11	3210627	STOP RING	PZ	4.0
12	2222114	SCREW	PZ	2.0
13	3210032	Pin	PZ	2.0
14	3207525	WHEEL/SAW	PZ	8.0
15	3210622	SPACER/SAW	PZ	2.0

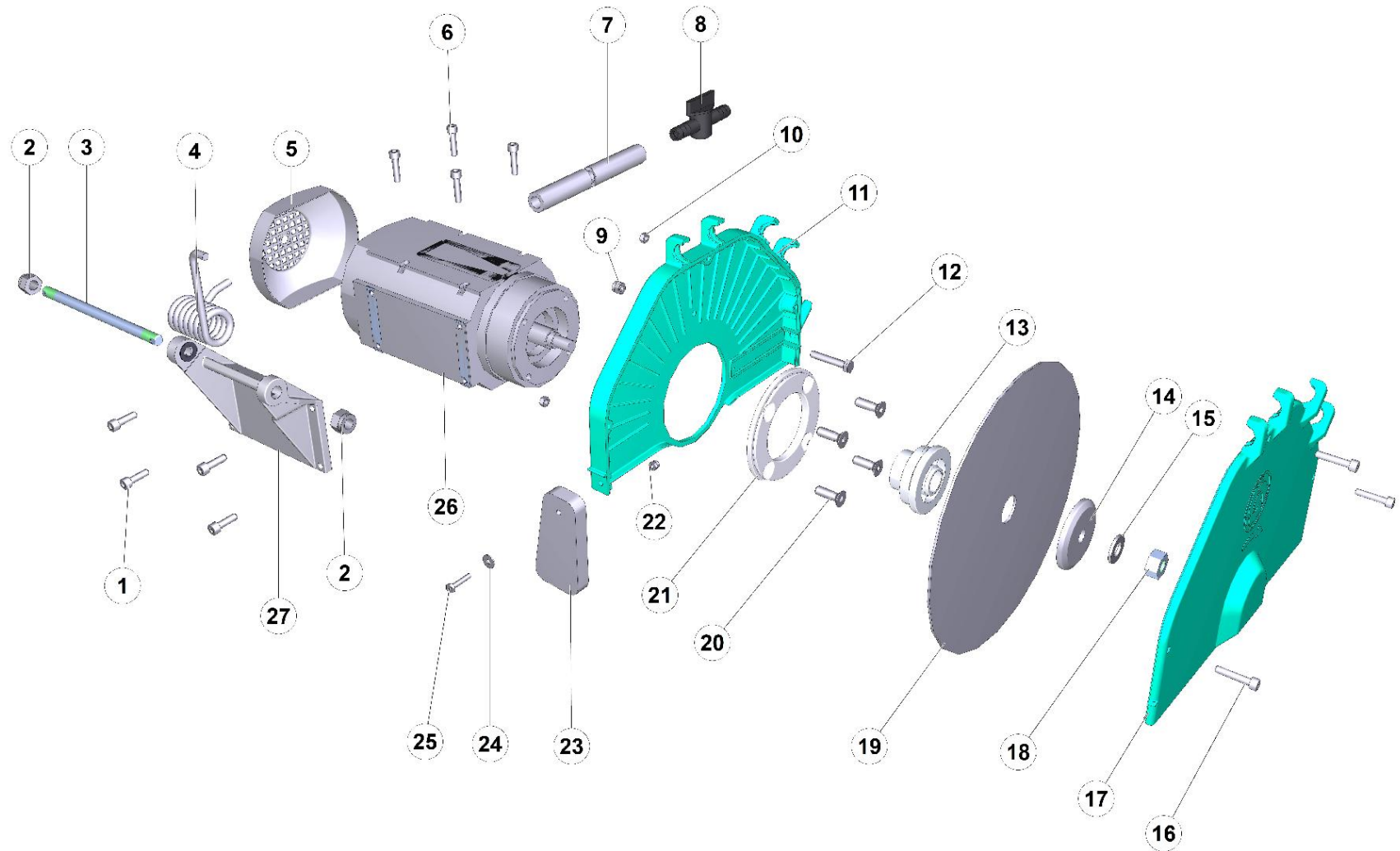
# GONIOMETER





N.	CODE	DESCRIPTION	UM	QTY
1	3226358	PROTRACTOR/SAW	PZ	1.0
2	3226360	PROTRACTOR'S ROD/SAW	PZ	1.0
3	3223279	KNOB/SAW	PZ	1.0
4	3207939	HANDWHEEL/SAW	PZ	1.0
5	2224140	ROLLER 6593	PZ	1.0
6	2222513	SCREW	PZ	1.0
7	3230638	SPACER	PZ	1.0
8	3211381	LOCK KNOB/SAW	PZ	1.0
9	3226076	SUPPORT/SAW	PZ	1.0
10	3226078	PROTRACTOR/SAW	PZ	1.0
11	1188178			1.0

ELECTRIC MOTOR



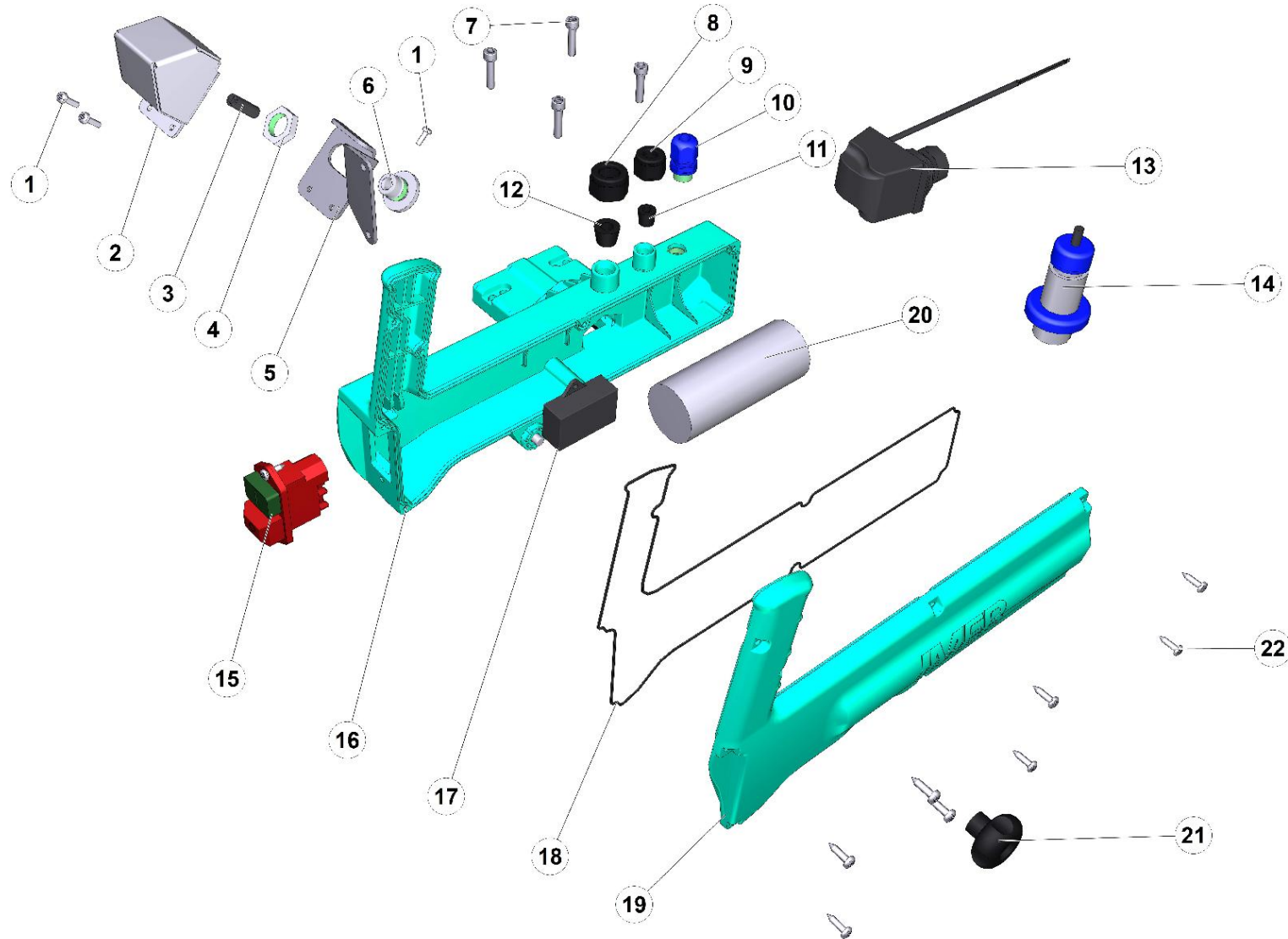


N.	CODE	DESCRIPTION	UM	QTY
1	2222540	SCREW	PZ	4.0
2	2223920	SELF-LOCKING NUT	PZ	1.0
3	3230250	PIN M10 COMBI TROLLEY 250 V	PZ	1.0
4	3210087	SPRING/SAW	PZ	1.0
5	3230644	CM250VA FAN COVER KW1.5 2P 230/50	PZ	1.0
6	2222541	SCREW/SAW	PZ	4.0
7	2292365	LINE/SAW	M	1.0
8	3207884	TAP	PZ	1.0
9	2223924	NUT	PZ	1.0
10	2223352	NUT	PZ	1.0
11	3211935	GUARD/SAW	PZ	1.0
12	3209060	SCREW	PZ	1.0
13	3210044	FLANGE	PZ	1.0
14	3210046	FLANGE/SAW	PZ	1.0
15	2224380	WASHER/SAW	PZ	1.0
16	3204399	SCREW/SAW	PZ	3.0
17	3211933	GUARD/SAW	PZ	1.0
18	3210053	NUT	PZ	1.0
19	1193783	BLADE Ø 250 GRES HARD PORCELAIN		1.0
20	3201339	SCREW/SAW	PZ	4.0
21	3210043	SPACER BRACKET/SAW	PZ	1.0



N.	CODE	DESCRIPTION	UM	QTY
22	2223926	NUT/SAW	PZ	1.0
23	3210050	SPRAY GUARD/SAW	PZ	1.0
24	2224535	ROLLER/MN	PZ	1.0
25	2222001	SCREW	PZ	1.0
26	3233669	MOTOR KW1.5 2P 240/50 CM250VA	PZ	1.0
27	3230255	MOTOR BRACKET DIE-CAST FINISH CM250 V	PZ	1.0

# ELECTRIC PANEL



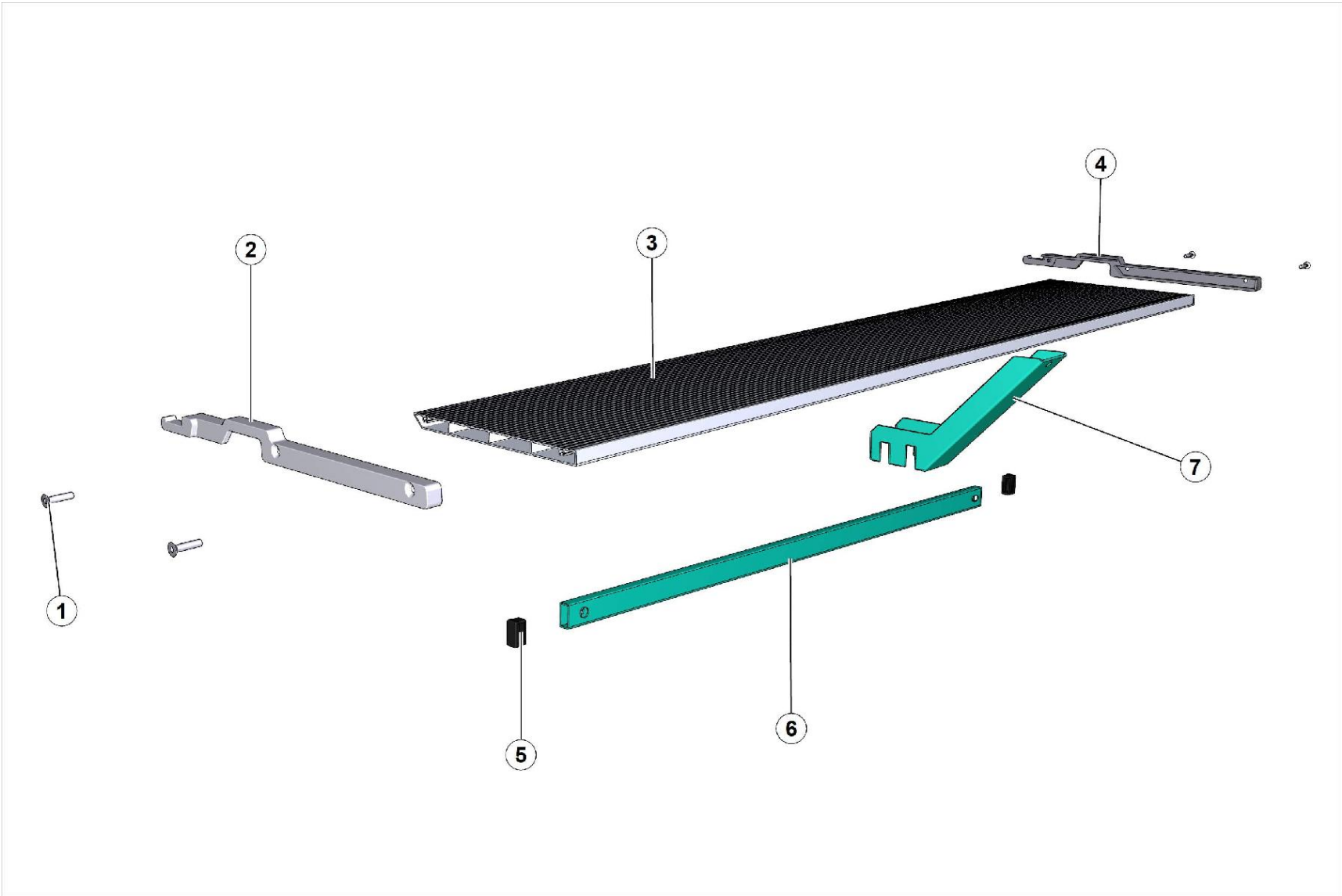


N.	CODE	DESCRIPTION	UM	QTY
1	3207154	SCREW/SAW	PZ	3.0
2	3227708	COVER/SAW	PZ	1.0
3	3228250	LASER LIGHT CLASS IIIA +GLASS PROTECTION	PZ	1.0
4	3227489	NUT/SAW	PZ	1.0
5	3227707	SUPPORT/SAW	PZ	1.0
6	3227483	ADJUSTMENT BLK/SAW	PZ	1.0
7	2222541	SCREW/SAW	PZ	4.0
8	3226095	RING PG16 BLACK	PZ	1.0
9	3226098	RING PG11 BLACK- HOLE D.11	PZ	1.0
10	3227508	CABLE CLAMP/SAW	PZ	1.0
11	3226101	RUBBER	PZ	1.0
12	3226100	RUBBER	PZ	1.0
13	3233271	PUMP 230V 50HZ 50W + FEMALE FASTON	PZ	1.0
14	3210609	SUPPLY CABLE CM250V	PZ	1.0
15	3209337	SWITCH	PZ	1.0
16	3227467	HANDLE COMBI 250/1000 VA	PZ	1.0
17	3228251	TRANSFORMER	PZ	1.0
18	3210114	GASKET	M	1.0
19	3210231	COVER/SAW	PZ	1.0
20	3229931	CAPACITOR MF40 450V 45X96 FAST.	PZ	1.0
21	2284866	KNOB/HANDLE	PZ	1.0



N.	CODE	DESCRIPTION	UM	QTY
22	3210116	BOLT/SAW	PZ	8.0

SIDE ROLLER





N.	CODE	DESCRIPTION	UM	QTY
1	2222584	BOLT/SAW	PZ	4.0
2	3226146	SUPPORT/SAW	PZ	1.0
3	3226952	SIDE TABLE/SAW	PZ	1.0
4	3226145	SUPPORT/SAW	PZ	1.0
5	3229948	CAP	PZ	2.0
6	3229851	ADDITIONAL TABLE CROSSBAR CM 250/1000 VA	PZ	1.0
7	3237407	PAINTED ADDITIONAL FLOOR PROP CM250/1000	PZ	1.0



**Access Platform Division**

Via San Francesco d'Assisi, 8 - 46020 Pegognaga (Mantova) - ITALY Tel. +39 0376  
554011 - Fax +39 0376 559855

[www.imergroup.com](http://www.imergroup.com)

**Building Equipment Division**

Via della Meccanica, 39 (Zona Industriale Sentino) - 53040 Rapolano Terme  
(Siena) - ITALY - Tel. +39 0577 97341 - Fax +39 0577 704077

[www.imergroup.com](http://www.imergroup.com)