

1188930 C350 IPOWER 230V 50HZ

3231790_1188930_R09W - R09W (20/10/2020)



Access Platform Division

Via San Francesco d'Assisi, 8 - 46020 Pegognaga (Mantova) - ITALY Tel. +39 0376
554011 - Fax +39 0376 559855

www.imergroup.com

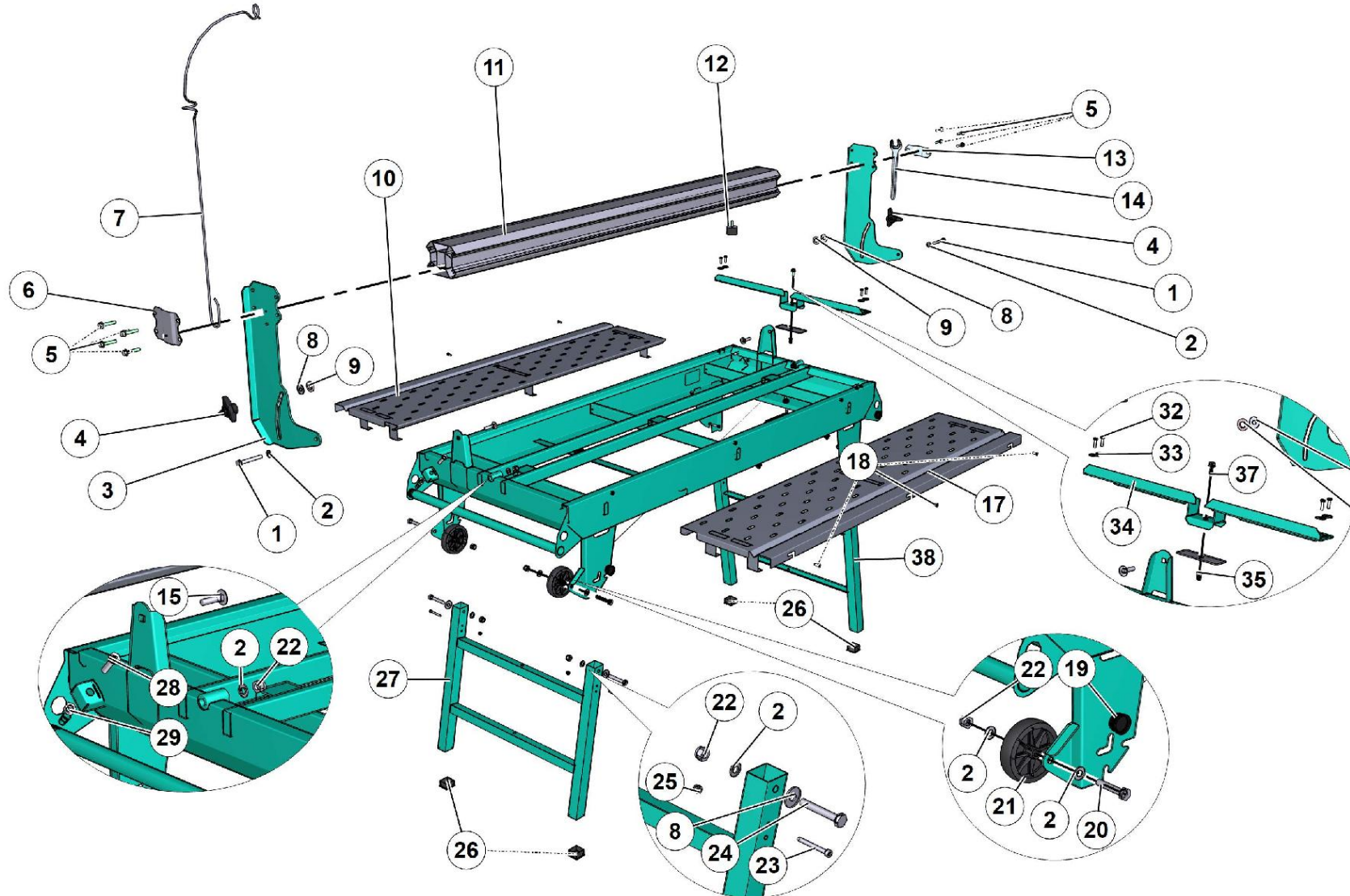
Building Equipment Division

Via della Meccanica, 39 (Zona Industriale Sentino) - 53040 Rapolano Terme
(Siena) - ITALY - Tel. +39 0577 97341 - Fax +39 0577 704077

www.imergroup.com

www.imerglobalcustomercare.com

FRAME



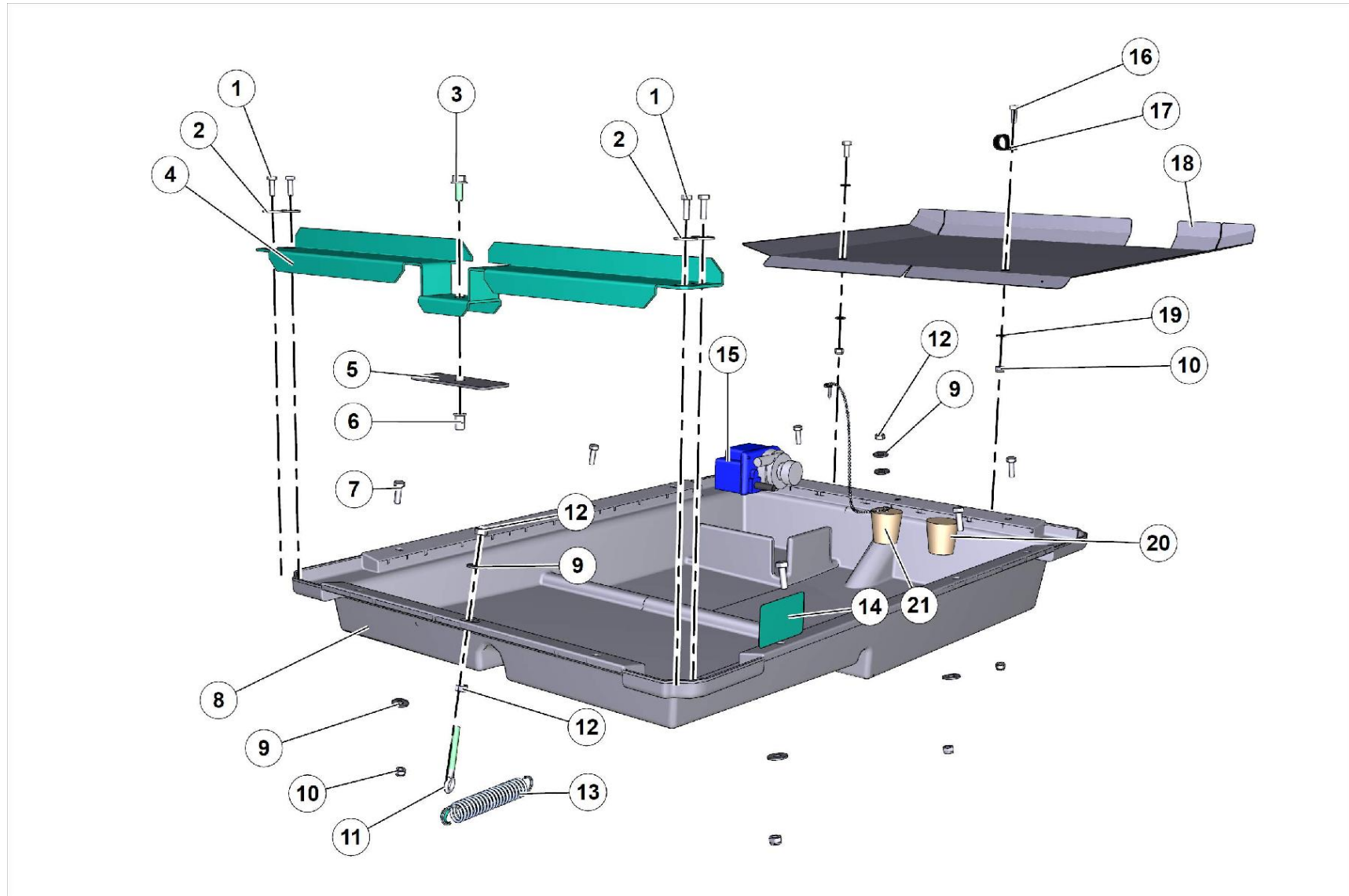


N.	CODE	DESCRIPTION	UM	QTY
1	2222151	SCREW TE 8.8 5737 10X 70 Z	PZ	2.0
2	2224340	ROLLER/MORTAR PUMP	PZ	11.0
3	3237401			1.0
4	3204743	KNOB/SAW	PZ	2.0
5	3234296	SCREW TRILOB. TEFR 8X40 Z		8.0
6	3231871		PZ	1.0
7	3231872	C350 iPOWER CABLE GUIDE ROD	PZ	1.0
8	2224260	WASHER	PZ	4.0
9	3230323	SPACER 16x30x5 GALVANIZED	PZ	2.0
10	3231419	PIANO RIGHT C350 iPOWER	PZ	1.0
11	3229856	C350 iPOWER SLIDING GUIDE DRILLED	PZ	1.0
12	2265675	RUBBER STOP/SAW	PZ	1.0
13	3231927		PZ	1.0
14	2241472	SPANNER	PZ	1.0
15	2222480	SCREW	PZ	2.0
17	3231418	HOB LEFT C350 iPOWER	PZ	1.0
18	3224269	SCREW TSPEI 5933 6X 18 Z	PZ	6.0
19	3208452	PLUG	PZ	4.0
20	2222144	SCREW	PZ	2.0
21	3205257	WHEEL	PZ	2.0
22	2223920	SELF-LOCKING NUT	PZ	8.0



N.	CODE	DESCRIPTION	UM	QTY
23	2222547	SCREW	PZ	4.0
24	2222148	SCREW	PZ	4.0
25	2223924	NUT	PZ	4.0
26	3201015	Terminal	PZ	4.0
27	3236866	PAINTED REAR LEG	PZ	1.0
28	2222073	SCREW/MN	PZ	2.0
29	2223650	NUT	PZ	2.0
32	2222016	SCREW	PZ	4.0
33	2224049	WASHER	PZ	4.0
34	3237399		PZ	1.0
35	2224005	THREADED INSERT M8*9418-2822*	PZ	1.0
37	2222061	BOLT/CONC.MIXER	PZ	1.0
38	3236865	M400 SMART PAINTED FRONT LEG	PZ	1.0

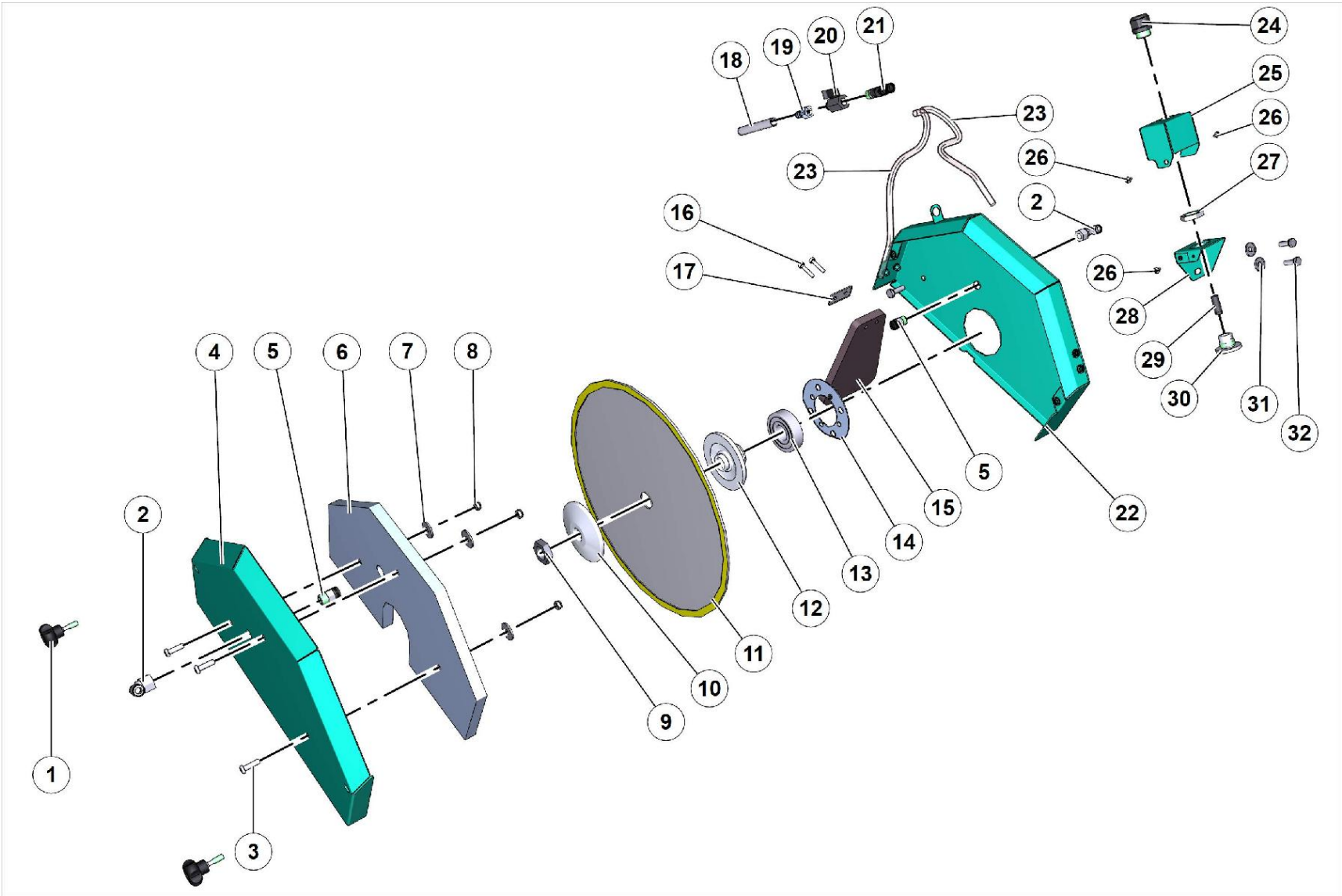
TRAY AND WATER PUMP





N.	CODE	DESCRIPTION	UM	QTY
1	2222016	SCREW	PZ	4.0
2	2224049	WASHER	PZ	4.0
3	2222061	BOLT/CONC.MIXER	PZ	1.0
4	3237399		PZ	1.0
5	3231430		PZ	1.0
6	2224005	THREADED INSERT M8*9418-2822*	PZ	1.0
7	2222076	SCREW/SAW	PZ	6.0
8	3231003	WATER COLLECTION TANK M400 SMART	PZ	1.0
9	2224204	ROLLER/SAW	PZ	8.0
10	3210623	NUT	PZ	8.0
11	3231034	TIE-BEAM	PZ	2.0
12	2223570	NUT	PZ	4.0
13	3230973	M400 SMART LEGS SPRING	PZ	2.0
14	3231793	CUSTOMIZED RATING PLATE C350 iPOWER 230V		1.0
15	3234427	PUMP 230V 50HZ 50W 3.7m+MALE FASTON	PZ	1.0
16	2222060	SCREW	PZ	2.0
17	3205491	BAND D1-B20-V9-FOR8,4D.I20	PZ	1.0
18	3231420	WATER SLIDE	PZ	1.0
19	2224140	ROLLER 6593	PZ	2.0
20	3231018	CONICAL RUBBER CAP D.45 X D.34 H45	PZ	1.0
21	3231093	COMPLETE BATH CAP M400 SMART	PZ	1.0

DISC GUARD



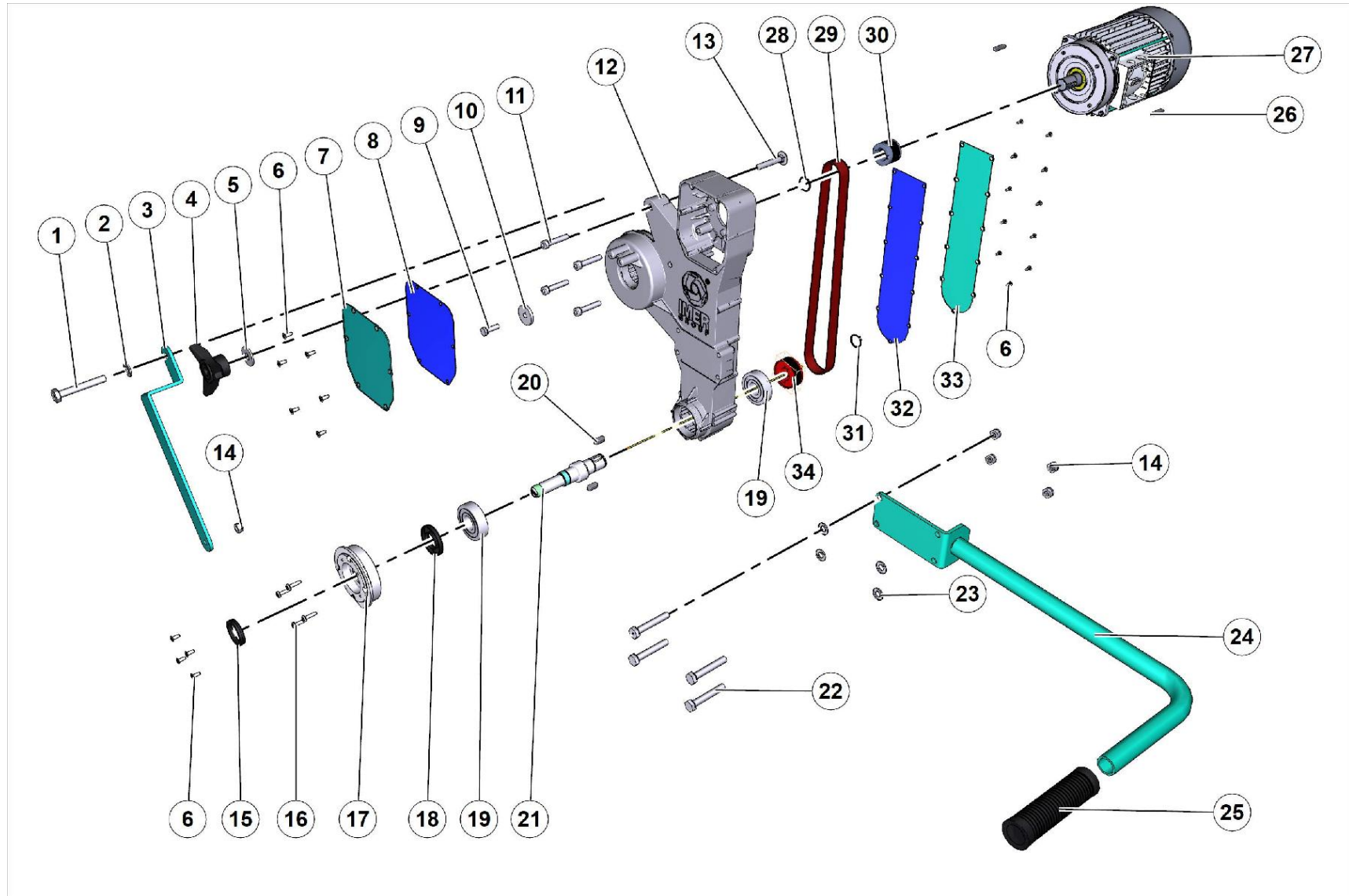


N.	CODE	DESCRIPTION	UM	QTY
1	3231012	4 LOBES M6 KNOB (UNLOADED THREAD)	PZ	1.0
2	3224366	COUPLING	PZ	2.0
3	3206223	SCREW	PZ	3.0
4	3237361		PZ	1.0
5	3231014	'STRAIGHT AIR FITTING QUICK COUPLING 1/4	PZ	2.0
6	3231373	'CARTER SOUND ABSORBING PANEL SMART CUT	PZ	1.0
7	2224049	WASHER	PZ	3.0
8	3211470	NUT	PZ	3.0
9	3208541	NUT	PZ	1.0
10	3230964	M400 SMART EXTERNAL FLANGE	PZ	1.0
11	1193894	BLADE Ø 350 mm BRICK-CEMENT		1.0
12	3230965	M400 SMART INTERNAL FLANGE	PZ	1.0
13	3224763	BEARING 6305 2RS1	PZ	1.0
14	3231431	FIX RING CARTER C350 iPOWER	PZ	1.0
15	3230975	M400 SMART SPLASH GUARD	PZ	1.0
16	2222022	SCREW	PZ	2.0
17	3231004	M400 SMART SPLASH GUARD PLATE	PZ	1.0
18	3227803	TUBE	M	4.0
19	3228674	RUBBER HOLDER	PZ	1.0
20	3224206	BALL VALVE	PZ	1.0
21	3231015	'STRAIGHT AIR FITTING QUICK COUPLING 1/4	PZ	1.0



N.	CODE	DESCRIPTION	UM	QTY
22	3236627	CARTER DISC C350 iPOWER MOUNTED	PZ	1.0
23	1272701	TUBE/SCREW PUMP	M	1.0
24	3201217	CABLE CLAMP	PZ	1.0
25	3231775	CARTER PER SUPPORT LASER C350 iPOWER	PZ	1.0
26	2222458	SCREW	PZ	3.0
27	3227489	NUT/SAW	PZ	1.0
28	3231776	SUPPORT LASER C350 iPOWER	PZ	1.0
29	3228250	LASER LIGHT CLASS IIIA +GLASS PROTECTION	PZ	1.0
30	3227483	ADJUSTMENT BLK/SAW	PZ	1.0
31	2224531	WASHER	PZ	2.0
32	2222002	SCREW	PZ	2.0

HEAD ASSEMBLY AND ELECTRIC MOTOR



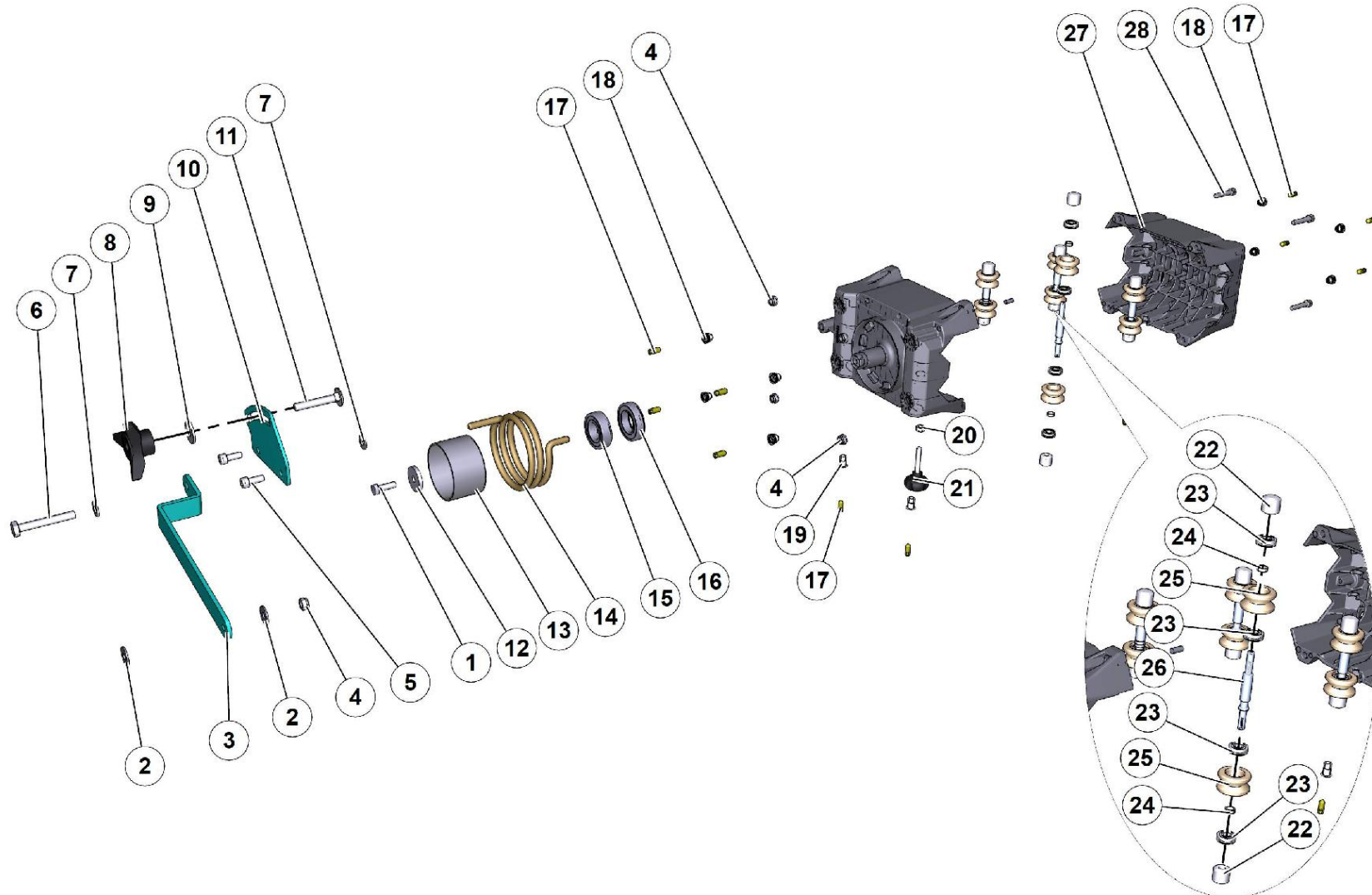


N.	CODE	DESCRIPTION	UM	QTY
1	2222151	SCREW TE 8.8 5737 10X 70 Z	PZ	1.0
2	2224340	ROLLER/MORTAR PUMP	PZ	1.0
3	3231706	LEVER FOR CRANKCASE DISC C350 iPOWER PAI	PZ	1.0
4	3204743	KNOB/SAW	PZ	1.0
5	2224260	WASHER	PZ	1.0
6	3210105	SCREW/SAW	PZ	21.0
7	3231423		PZ	1.0
8	3231440	C350 IPOWVER GASKET COVER PULLEY MOTOR	PZ	1.0
9	2222076	SCREW/SAW	PZ	1.0
10	3234080	WASHER 8,5x35x5 Z	PZ	1.0
11	2222514	SCREW	PZ	4.0
12	3231699	C350 iPOWER WISHBONE ARM WORKED	PZ	1.0
13	3231445	SCREW	PZ	1.0
14	3210623	NUT	PZ	5.0
15	3231009	V-RING SKF 35 VA R D.I. 31	PZ	1.0
16	2222466	SCREW TRILOB.TC PH M5X25 N		1.0
17	3231446	C350 IPOWVER GALVANIZED SHAFT DISC BLOCK	PZ	1.0
18	2207355	STOP RING	PZ	1.0
19	3224763	BEARING 6305 2RS1	PZ	2.0
20	2229450	KEY	PZ	2.0
21	3231448	BLADE SHAFT	PZ	1.0



N.	CODE	DESCRIPTION	UM	QTY
22	2222176	SCREW	PZ	4.0
23	2224140	ROLLER 6593	PZ	4.0
24	3231427	C350 iPOWER HANDLE	PZ	1.0
25	3210954	HANDLE	PZ	1.0
26	2229310	KEY	PZ	2.0
27	3234570	ELECTRIC MOTOR 2.5KW 220-240V 50HZ MC.90	PZ	1.0
28	2227270	STOP RING	PZ	1.0
29	3231443	BELT POLY-V PRET. 910 J8 EL-SPCP910J8	PZ	1.0
30	3231483	PULLEY SHAFT MOTOR C350 iPOWER GALVANIZE	PZ	1.0
31	2227280	2227280 RING SNAP	PZ	1.0
32	3231441	C350 iPOWER DISC SIDE GASKET COVER	PZ	1.0
33	3231424	CARTER BELT DISC SIDE C350 iPOWER	PZ	1.0
34	3231449	PULLEY SHAFT DISC C350 iPOWER GALVANIZED	PZ	1.0

CARRIAGE



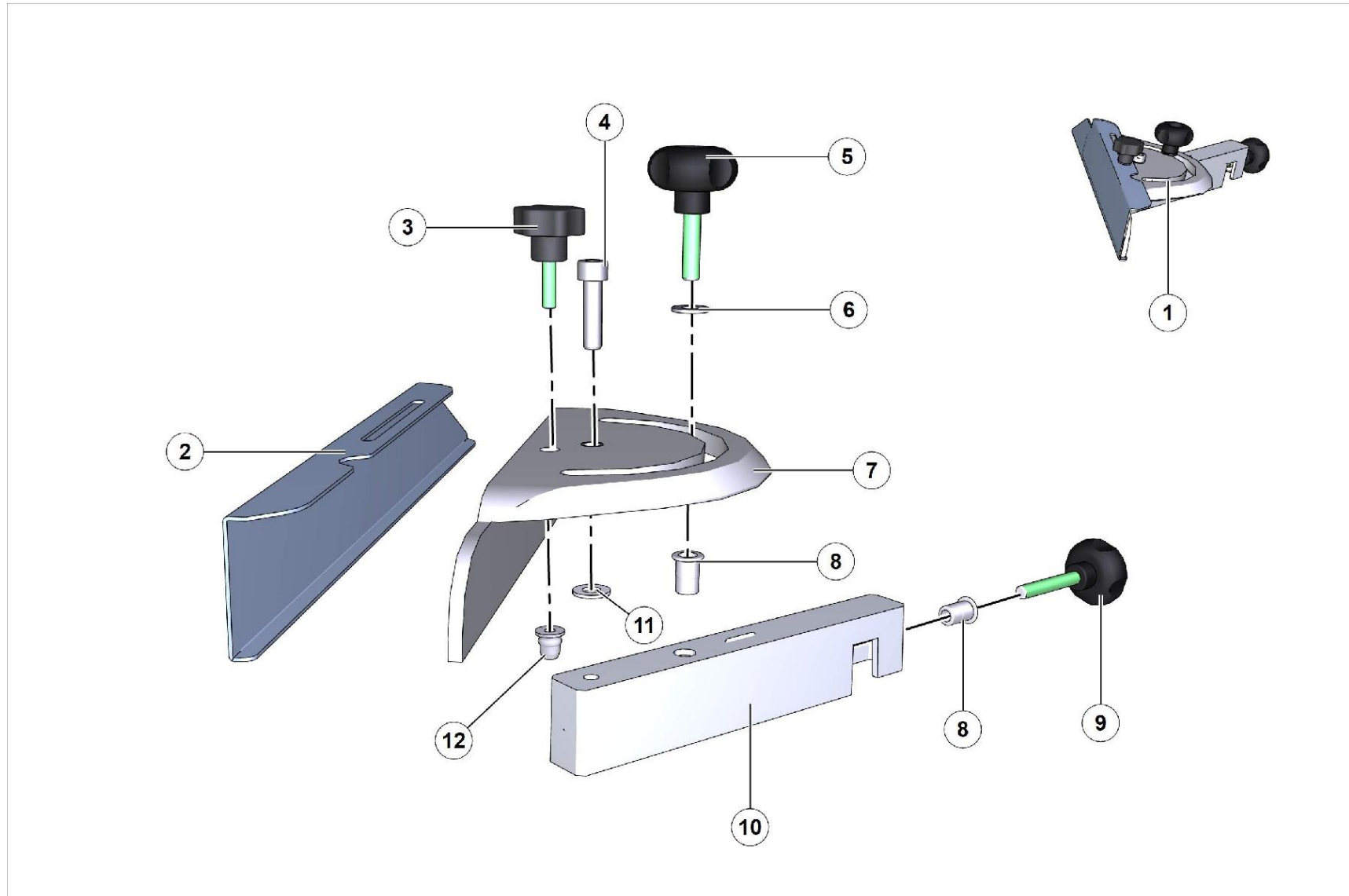


N.	CODE	DESCRIPTION	UM	QTY
1	2222076	SCREW/SAW	PZ	1.0
2	2224204	ROLLER/SAW	PZ	2.0
3	3231706	LEVER FOR CRANKCASE DISC C350 iPOWER PAI	PZ	1.0
4	3210623	NUT	PZ	5.0
5	2222509	SCREW	PZ	2.0
6	2222151	SCREW TE 8.8 5737 10X 70 Z	PZ	1.0
7	2224340	ROLLER/MORTAR PUMP	PZ	2.0
8	3204743	KNOB/SAW	PZ	1.0
9	2224260	WASHER	PZ	1.0
10	3231702	ARM LOCKING PLATE C350 iPOWER PAINTED	PZ	1.0
11	3231445	SCREW	PZ	1.0
12	3234080	WASHER 8,5x35x5 Z	PZ	1.0
13	3231981	BUSHING FOR SPRING RECH. C350 iPOWER GAL	PZ	1.0
14	3229860	SPRING RECALL C350 iPOWER	PZ	1.0
15	2204540	Bearing	PZ	1.0
16	3210629	ROLLER/SAW	PZ	1.0
17	3226230	GRUB SCREW 5927 DIAM. 8X20 Z	PZ	12.0
18	3231186	INSERT	PZ	8.0
19	2224005	THREADED INSERT M8*9418-2822*	PZ	4.0
20	2223570	NUT	PZ	1.0
21	2284864	HANDWHEEL	PZ	1.0



N.	CODE	DESCRIPTION	UM	QTY
22	3231485	HOOD C350 iPOWER GALVANIZED	PZ	8.0
23	3204945	BEARING	PZ	16.0
24	3207393	SPACER	PZ	8.0
25	3207397	ROLLER/SAW	PZ	8.0
26	3231484	C350 iPOWER STAINLESS STEEL TROLLEY WHEE	PZ	4.0
27	3231698	RIGHT TROLLEY WORKED	PZ	1.0
28	2222514	SCREW	PZ	1.0

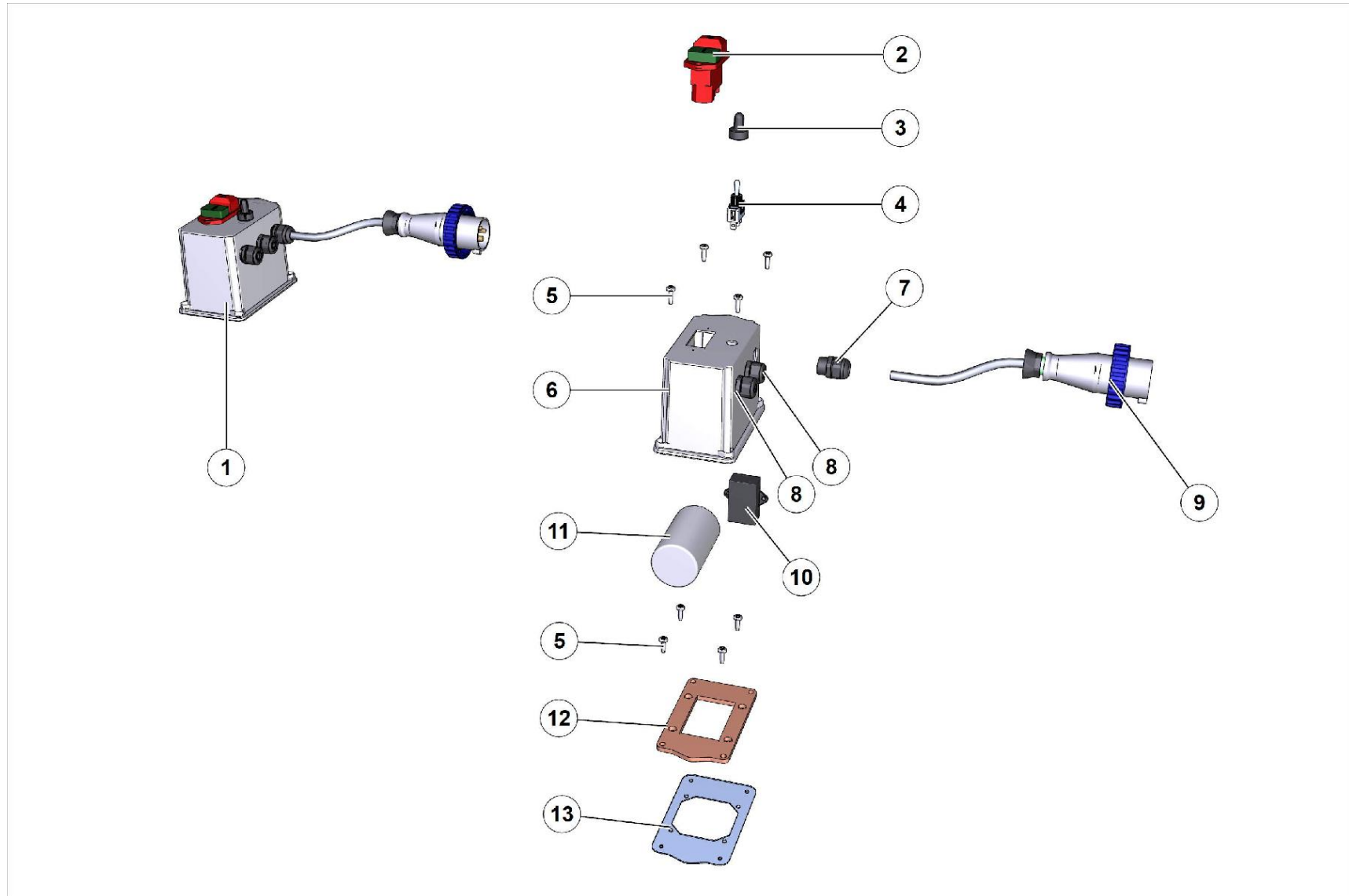
GONIOMETER





N.	CODE	DESCRIPTION	UM	QTY
1	3233387	C350 IPOWER COMPLETE PROTRACTOR	PZ	1.0
2	3226360	PROTRACTOR'S ROD/SAW	PZ	1.0
3	3223279	KNOB/SAW	PZ	1.0
4	2222513	SCREW	PZ	1.0
5	3207939	HANDWHEEL/SAW	PZ	1.0
6	2224140	ROLLER 6593	PZ	1.0
7	3226078	PROTRACTOR/SAW	PZ	1.0
8	2224005	THREADED INSERT M8*9418-2822*	PZ	2.0
9	3215014	HANDWHEEL G732-30 M08 M8X50 4 LOBI	PZ	1.0
10	3226076	SUPPORT/SAW	PZ	1.0
11	3210576	WASHER	PZ	1.0
12	2224006	ENGAGEMENT	PZ	1.0

ELECTRIC PANEL

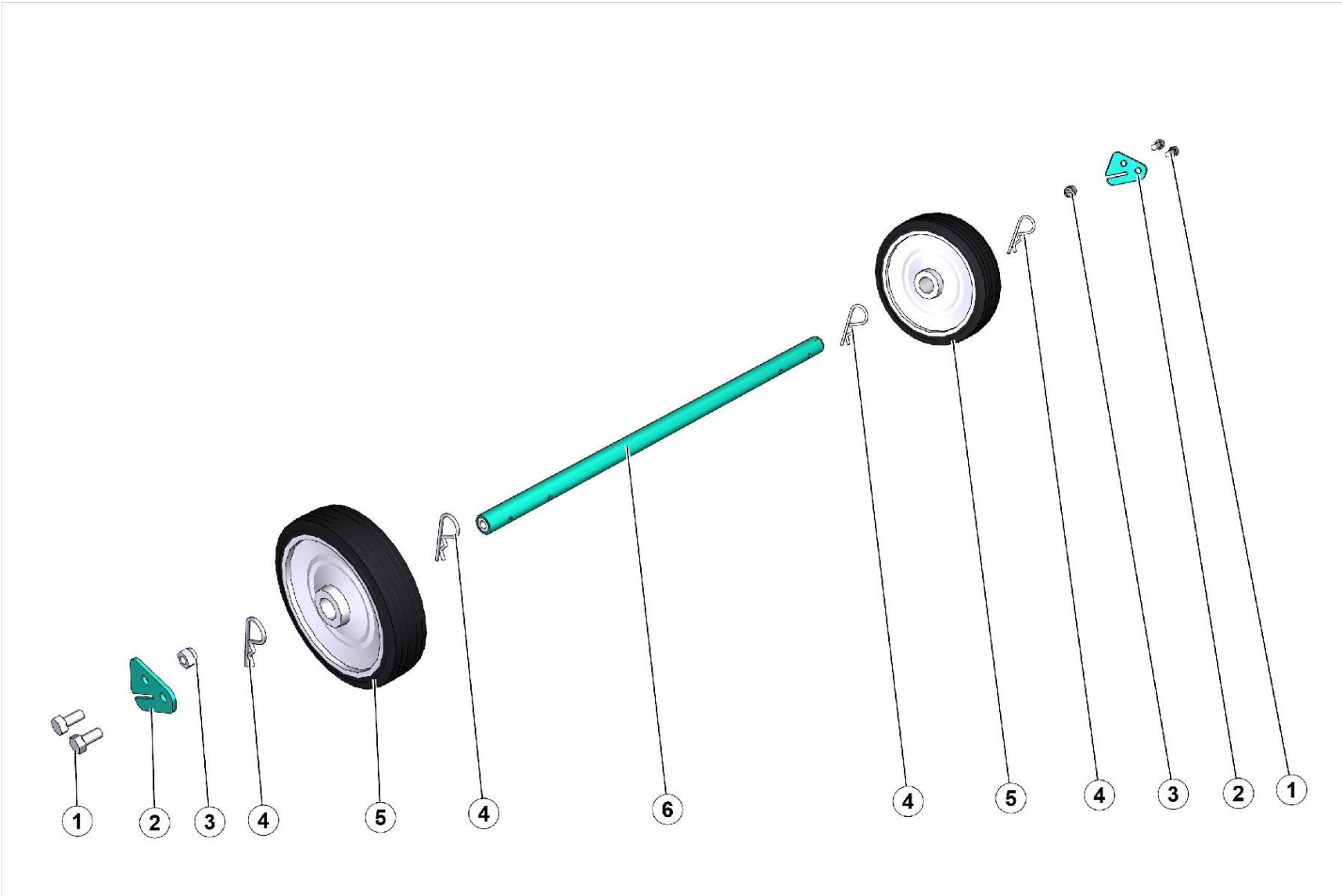




N.	CODE	DESCRIPTION	UM	QTY
1	3231700	ELECTRIC CONTROL PANEL C350 iPOWER 230V-	PZ	1.0
2	3209337	SWITCH	PZ	1.0
3	3206171	PROTECTION SWITCH/SAW	PZ	1.0
4	3206170	SWITCH/SAW	PZ	1.0
5	2222465	SCREW	PZ	8.0
6	3231770	ELECTRIC CONTROL PANEL BOX C350 iPOWER	PZ	1.0
7	3209692	CABLE CLAMP	PZ	1.0
8	3201217	CABLE CLAMP	PZ	2.0
9	3203504	PIN	PZ	1.0
10	3228251	TRANSFORMER	PZ	1.0
11	3231995	CAPACITOR 60MF 450V 50/60HZ	PZ	1.0
12	3231442	C350 IPOWERGASKET ELECTRIC CONTROL PANEL	PZ	1.0
13	3231429	PLATE SUPPORT ELECTRIC CONTROL PANEL C35	PZ	1.0



WHEEL KIT INCREASED





N.	CODE	DESCRIPTION	UM	QTY
1	2222077	SCREW	PZ	4.0
2	3235360	SMART CUT-IPOWER AXLE PLATE GALVANIZED	PZ	2.0
3	2223920	SELF-LOCKING NUT	PZ	2.0
4	2226700	SPLIT PIN	PZ	4.0
5	3209809	WHEELS	PZ	2.0
6	3235350	WHEEL AXLE SMART CUT-IPOWER GALVANIZED	PZ	1.0



Access Platform Division

Via San Francesco d'Assisi, 8 - 46020 Pegognaga (Mantova) - ITALY Tel. +39 0376
554011 - Fax +39 0376 559855

www.imergroup.com

Building Equipment Division

Via della Meccanica, 39 (Zona Industriale Sentino) - 53040 Rapolano Terme
(Siena) - ITALY - Tel. +39 0577 97341 - Fax +39 0577 704077

www.imergroup.com