

1188970 M400 SMART 230V 50HZ

3231095_1188970_R06W - R06W (13/11/2020)



Access Platform Division

Via San Francesco d'Assisi, 8 - 46020 Pegognaga (Mantova) - ITALY Tel. +39 0376
554011 - Fax +39 0376 559855

www.imergroup.com

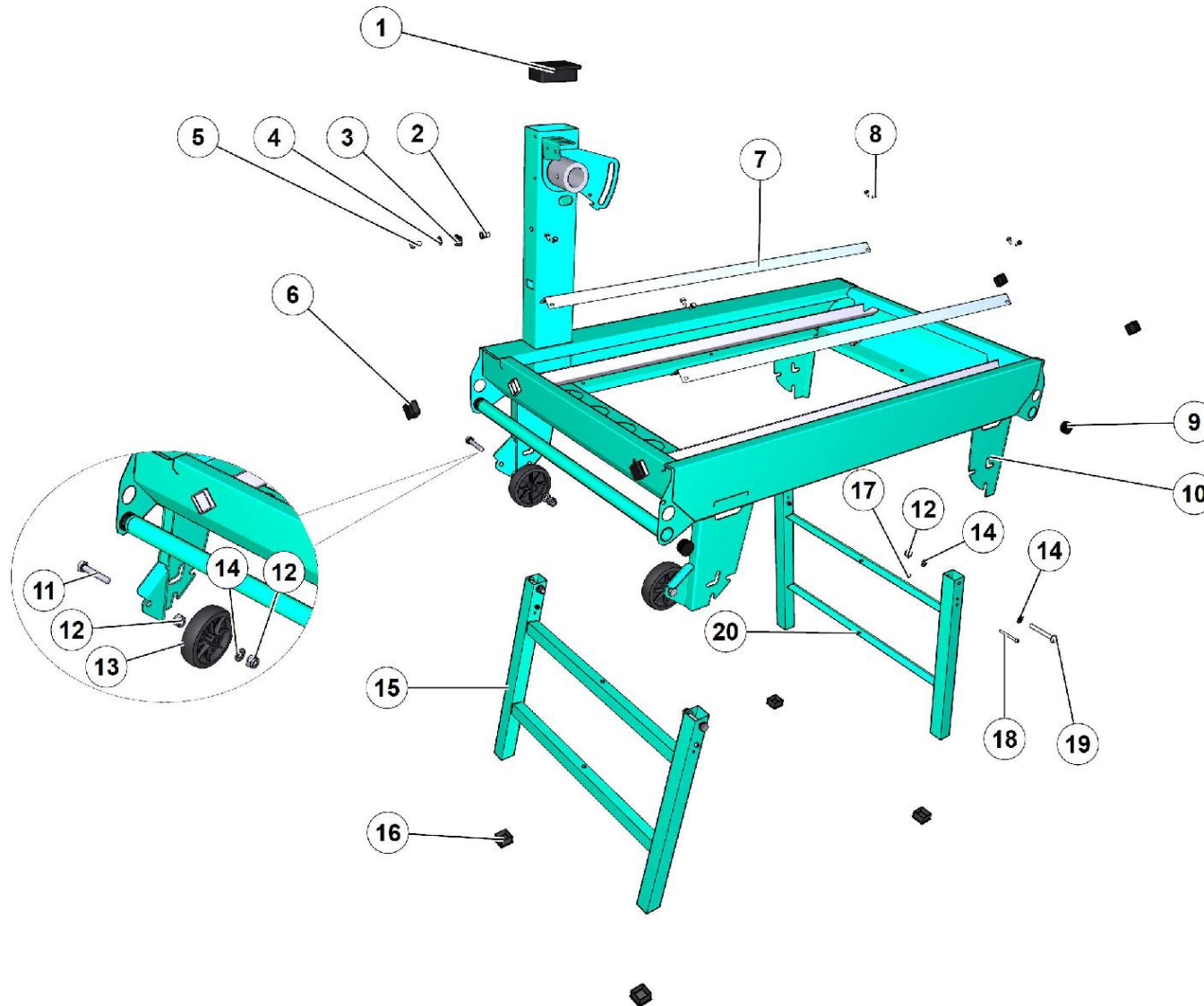
Building Equipment Division

Via della Meccanica, 39 (Zona Industriale Sentino) - 53040 Rapolano Terme
(Siena) - ITALY - Tel. +39 0577 97341 - Fax +39 0577 704077

www.imergroup.com

www.imerglobalcustomercare.com

FRAME

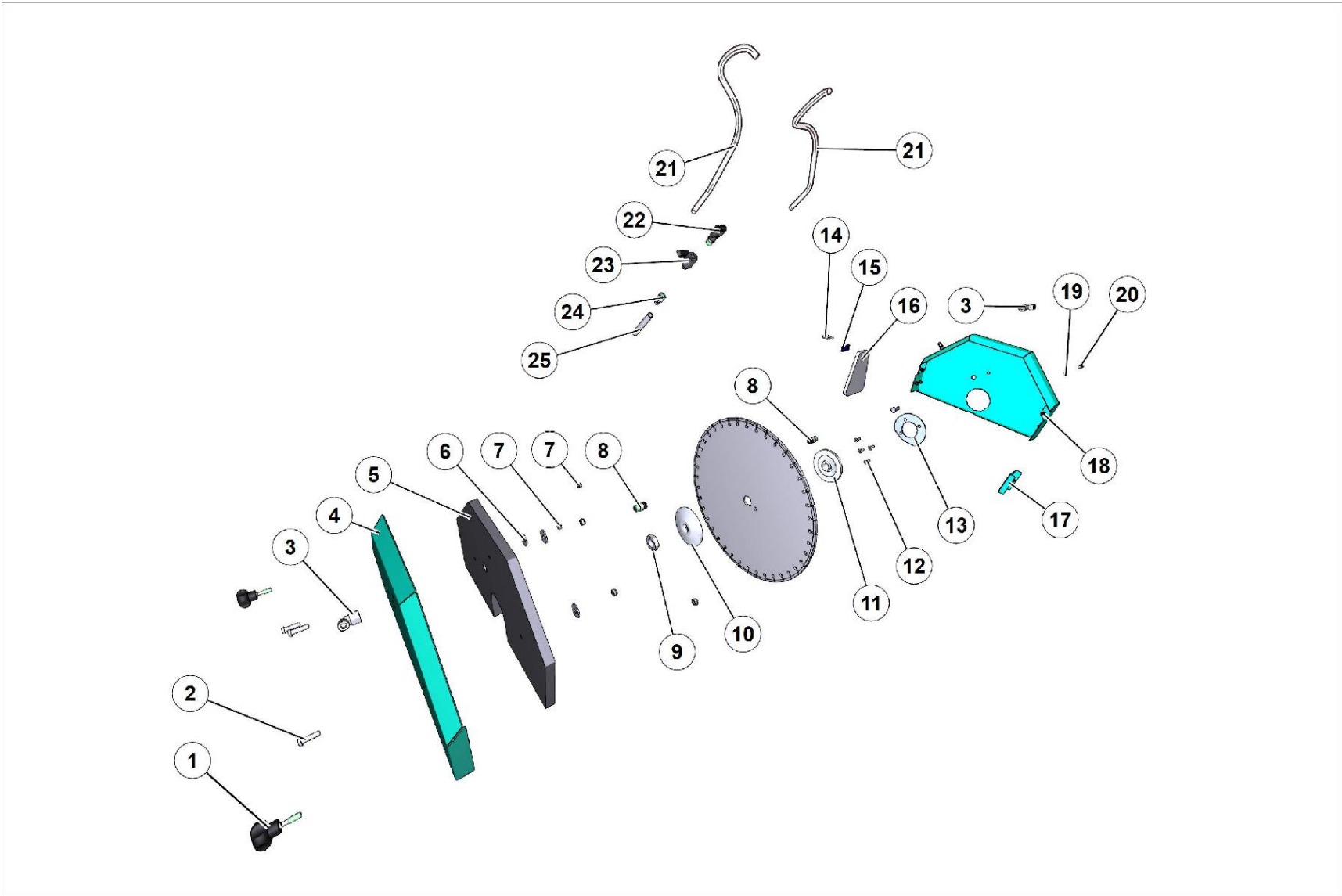




N.	CODE	DESCRIPTION	UM	QTY
1	3209032	ARM CAP/CONC.MIXER	PZ	1.0
2	2224005	THREADED INSERT M8*9418-2822*	PZ	1.0
3	3206312	CLIP	PZ	1.0
4	2224140	ROLLER 6593	PZ	1.0
5	2222064	SCREW	PZ	1.0
6	3205943	PLUG	PZ	4.0
7	3231005	M400 SMART CHASSIS GUIDE COVER	PZ	2.0
8	3206361	SCREW TE 8117 4,8X13	PZ	8.0
9	3208452	PLUG	PZ	4.0
10	3236867	PAINTED FRAME	PZ	1.0
11	2222144	SCREW	PZ	2.0
12	2223920	SELF-LOCKING NUT	PZ	8.0
13	3205257	WHEEL	PZ	2.0
14	2224340	ROLLER/MORTAR PUMP	PZ	10.0
15	3236866	PAINTED REAR LEG	PZ	1.0
16	3201015	Terminal	PZ	4.0
17	2223924	NUT	PZ	4.0
18	2222547	SCREW	PZ	4.0
19	2222148	SCREW	PZ	4.0
20	3236865	M400 SMART PAINTED FRONT LEG	PZ	1.0



BLADE GUARD



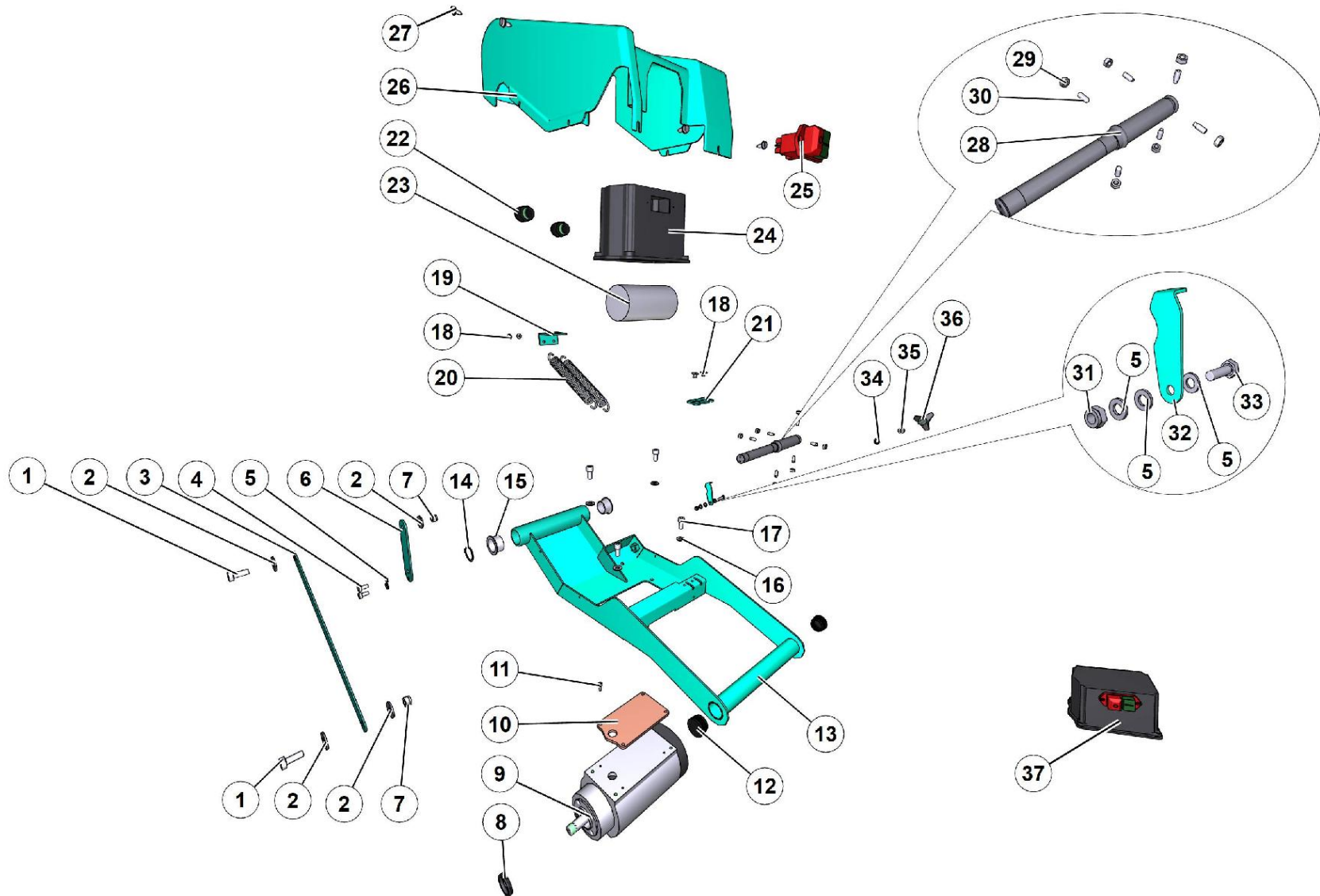


N.	CODE	DESCRIPTION	UM	QTY
1	3231012	4 LOBES M6 KNOB (UNLOADED THREAD)	PZ	2.0
2	3206223	SCREW	PZ	3.0
3	3224366	COUPLING	PZ	2.0
4	3236864	M400 SMART CARTER DISC PAINTED COVER	PZ	1.0
5	3231219	CARTER SOUND ABSORBING PANEL M400	PZ	1.0
6	2224049	WASHER	PZ	3.0
7	3211470	NUT	PZ	5.0
8	3231014	'STRAIGHT AIR FITTING QUICK COUPLING 1/4	PZ	2.0
9	3208541	NUT	PZ	1.0
10	3230964	M400 SMART EXTERNAL FLANGE	PZ	1.0
11	3230965	M400 SMART INTERNAL FLANGE	PZ	1.0
12	3231162	SCREW TSPEI 10.9 5933 6X 16 Z	PZ	4.0
13	3230947	FIX RING CARTER M400 SMART	PZ	1.0
14	2222022	SCREW	PZ	2.0
15	3231004	M400 SMART SPLASH GUARD PLATE	PZ	1.0
16	3230975	M400 SMART SPLASH GUARD	PZ	1.0
17	3231257			1.0
18	3231212	CARTER DISC COMPLETE M400 SMART	PZ	1.0
19	2224530	ROLLER/MN	PZ	1.0
20	2222002	SCREW	PZ	1.0
21	1272701	TUBE/SCREW PUMP	M	2.0



N.	CODE	DESCRIPTION	UM	QTY
22	3231015	'STRAIGHT AIR FITTING QUICK COUPLING 1/4	PZ	1.0
23	3224206	BALL VALVE	PZ	1.0
24	3228674	RUBBER HOLDER	PZ	1.0
25	3227803	TUBE	M	1.0

ARM ASSEMBLY AND ELECTRIC MOTOR



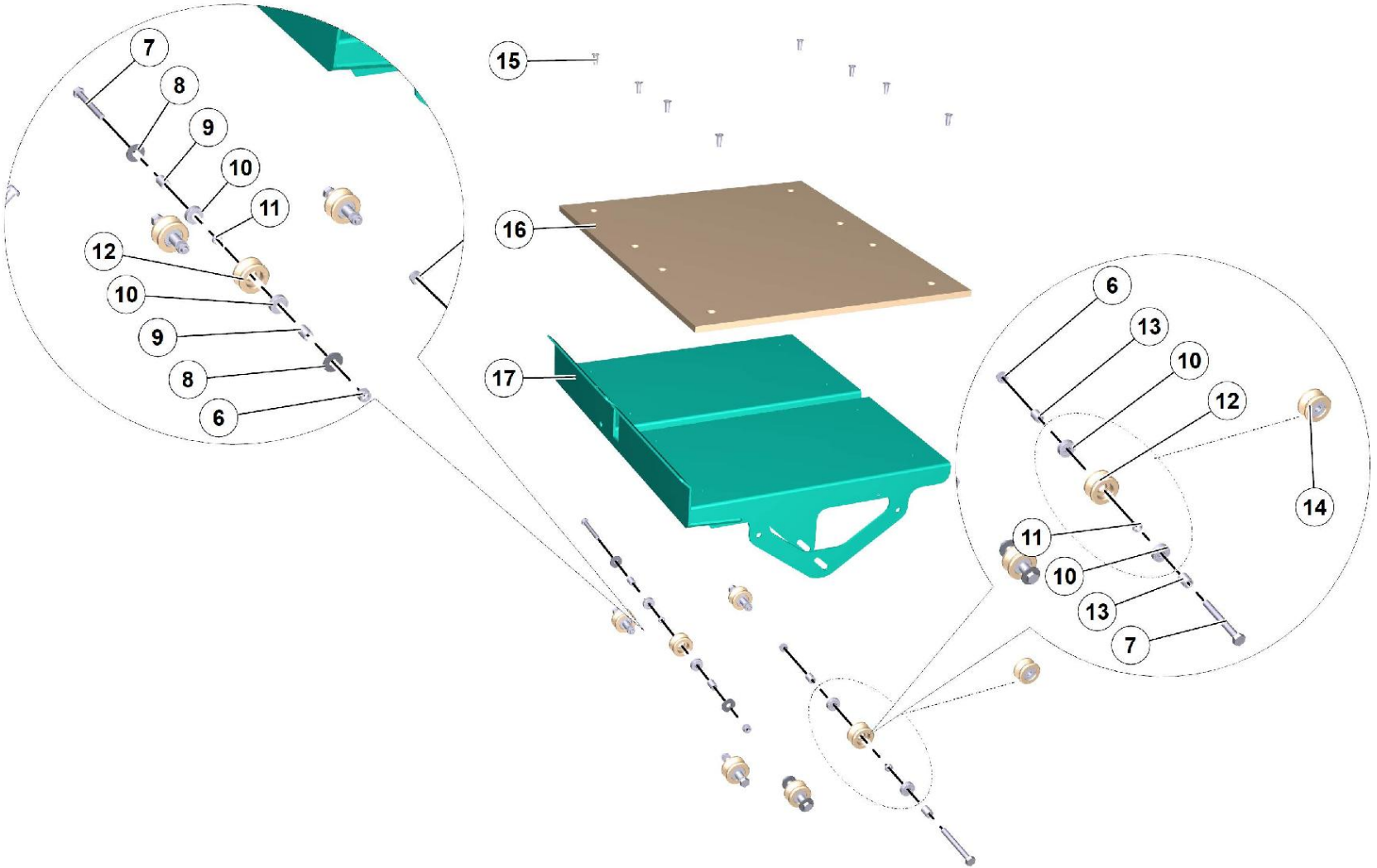


N.	CODE	DESCRIPTION	UM	QTY
1	2222060	SCREW	PZ	2.0
2	2224204	ROLLER/SAW	PZ	4.0
3	3230946	M400 SMART PARALLELOGRAM BRACKET	PZ	1.0
4	1222004	1222004 BOLT		1.0
5	2224530	ROLLER/MN	PZ	4.0
6	3230988	M400 SMART PARALLELOGRAM SUPPORT	PZ	1.0
7	3210623	NUT	PZ	2.0
8	3231009	V-RING SKF 35 VA R D.I. 31	PZ	1.0
9	3234192	ELECTRIC MOTOR 2.5kW 220/240V 50HZ M400	PZ	1.0
10	3230972	M400 SMART PANEL GASKET	PZ	1.0
11	2222465	SCREW	PZ	1.0
12	3208452	PLUG	PZ	2.0
13	3236862	ARM PAINTED M400 SMART	PZ	1.0
14	2227240	STOP RING	PZ	1.0
15	3231010	IGUS BUSH GFM-3034-20	PZ	2.0
16	2224140	ROLLER 6593	PZ	4.0
17	2222515	SCREW	PZ	4.0
18	2288788	Self-tapping screw	PZ	4.0
19	3237188			1.0
20	3230974	SPRING HEAD M400 SMART	PZ	2.0
21	3237190			1.0



N.	CODE	DESCRIPTION	UM	QTY
22	3201216	CABLE CLAMP	PZ	2.0
23	3208545	CONDENSER	PZ	1.0
24	3231006	ELECTRIC CONTROL PANEL BOX M400 SMART	PZ	1.0
25	3209337	SWITCH	PZ	1.0
26	3230956	CARTER ARM M400 SMART	PZ	1.0
27	2222420	SCREW	PZ	5.0
28	3231077	GALVANIZED SWING PIN M400 SMART	PZ	1.0
29	2223650	NUT	PZ	5.0
30	3231031	GRAIN 5927 D.10X25 Z	PZ	5.0
31	3211470	NUT	PZ	1.0
32	3231074	SMART 400 LATCH \$3230958	PZ	1.0
33	2222016	SCREW	PZ	1.0
34	3231210	SAFETY WASHER ZIG. CONTACT M12X24 Z	PZ	1.0
35	3231076	M400 SMART GALVANIZED HEAD ADJUSTMENT SP	PZ	1.0
36	3231011	THREE-ARM KNOB M12X40	PZ	1.0
37	3231123	ELECTRIC CONTROL PANEL M400 SMART 230V/5	PZ	1.0

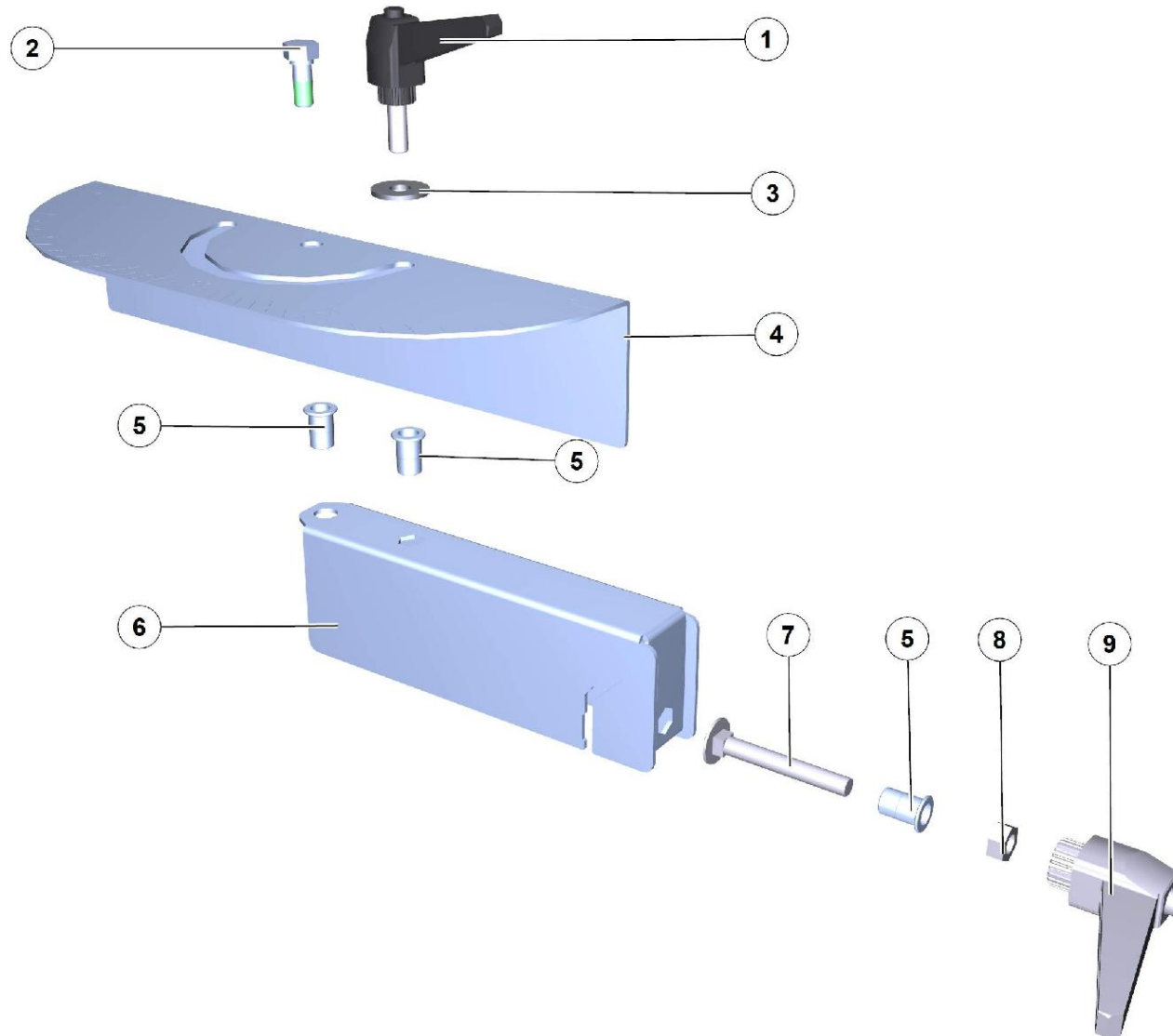
CARRIAGE





N.	CODE	DESCRIPTION	UM	QTY
6	3210623	NUT	PZ	9.0
7	2222091	BOLT 8X70	PZ	6.0
8	2224204	ROLLER/SAW	PZ	4.0
9	3231075	M400 SMART TROLLEY SPACER	PZ	8.0
10	3204945	BEARING	PZ	12.0
11	3207393	SPACER	PZ	6.0
12	3207397	ROLLER/SAW	PZ	6.0
13	3228922	SPACER	PZ	4.0
14	3207525	WHEEL/SAW	PZ	6.0
15	3214965	SCREW	PZ	8.0
16	3230990	WOOD TOP M400 SMART (HT)	PZ	1.0
17	3236863	PAINTED M400 SMART TROLLEY	PZ	1.0

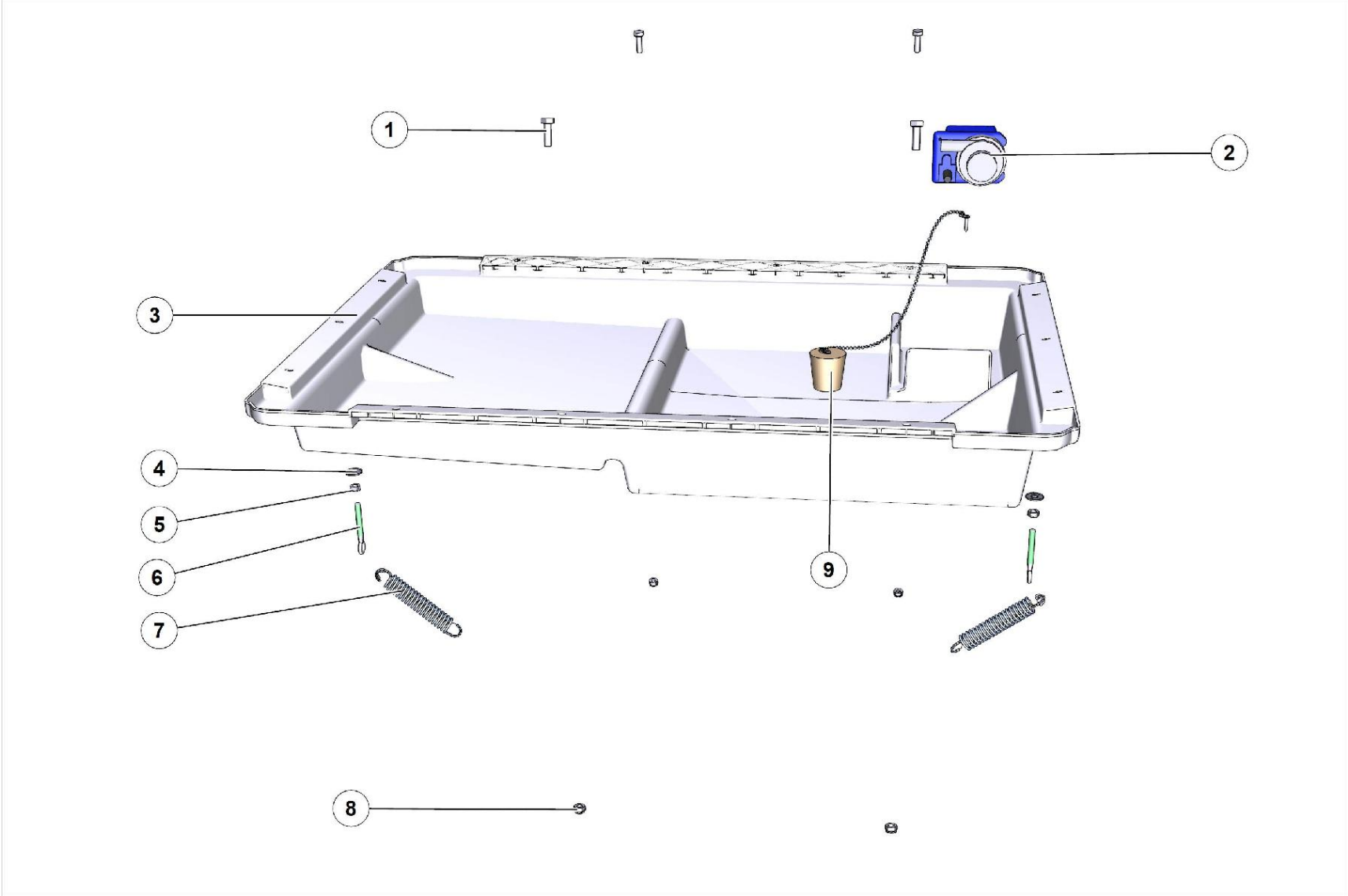
GONIOMETER





N.	CODE	DESCRIPTION	UM	QTY
1	3208414	LEVER/SAW	PZ	1.0
2	3208416	Pin	PZ	1.0
3	2224204	ROLLER/SAW	PZ	1.0
4	3230971	M400 SMART PROTRACTOR	PZ	1.0
5	2224005	THREADED INSERT M8*9418-2822*	PZ	3.0
6	3230985	M400 SMART PROTRACTOR SUPPORT	PZ	1.0
7	3231183	SCREW TTCQ 5732-65 M8X60 Z (CUT)	PZ	1.0
8	2223570	NUT	PZ	1.0
9	3231007	SNAP LEVER M8 F. ART. A522065.TM0801	PZ	1.0

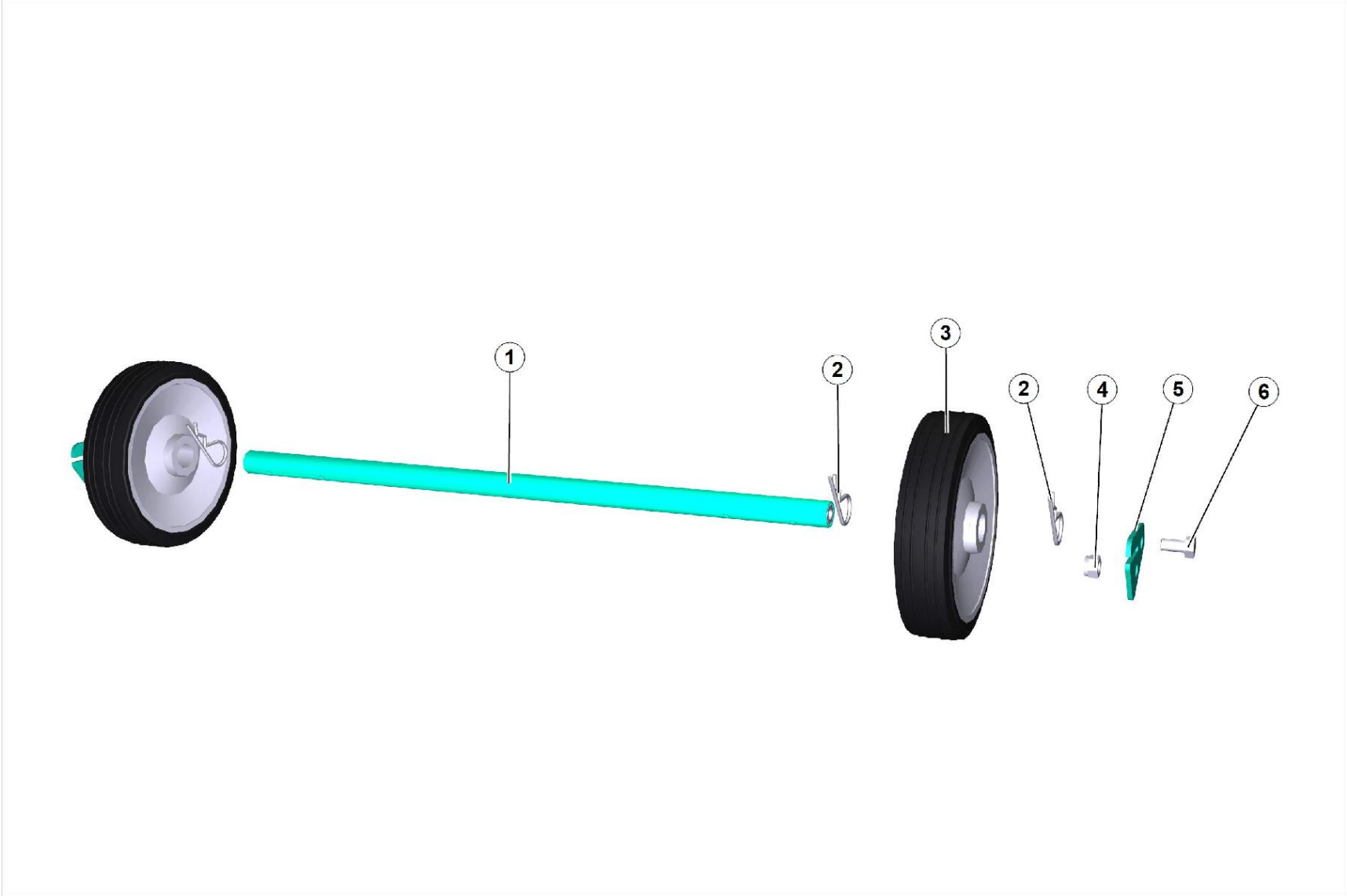
WATER TRAY





N.	CODE	DESCRIPTION	UM	QTY
1	2222076	SCREW/SAW	PZ	4.0
2	3234419	PUMP 230V 50HZ 50W + MALE FASTON	PZ	1.0
3	3231003	WATER COLLECTION TANK M400 SMART	PZ	1.0
4	2224204	ROLLER/SAW	PZ	2.0
5	2223570	NUT	PZ	2.0
6	3231034	TIE-BEAM	PZ	2.0
7	3230973	M400 SMART LEGS SPRING	PZ	2.0
8	3210623	NUT	PZ	4.0
9	3231093	COMPLETE BATH CAP M400 SMART	PZ	1.0

WHEELS KIT





N.	CODE	DESCRIPTION	UM	QTY
1	3235350	WHEEL AXLE SMART CUT-IPOWER GALVANIZED	PZ	1.0
2	2226700	SPLIT PIN	PZ	4.0
3	3209809	WHEELS	PZ	2.0
4	2223920	SELF-LOCKING NUT	PZ	2.0
5	3235360	SMART CUT-IPOWER AXLE PLATE GALVANIZED	PZ	2.0
6	2222077	SCREW	PZ	2.0



Access Platform Division

Via San Francesco d'Assisi, 8 - 46020 Pegognaga (Mantova) - ITALY Tel. +39 0376
554011 - Fax +39 0376 559855

www.imergroup.com

Building Equipment Division

Via della Meccanica, 39 (Zona Industriale Sentino) - 53040 Rapolano Terme
(Siena) - ITALY - Tel. +39 0577 97341 - Fax +39 0577 704077

www.imergroup.com