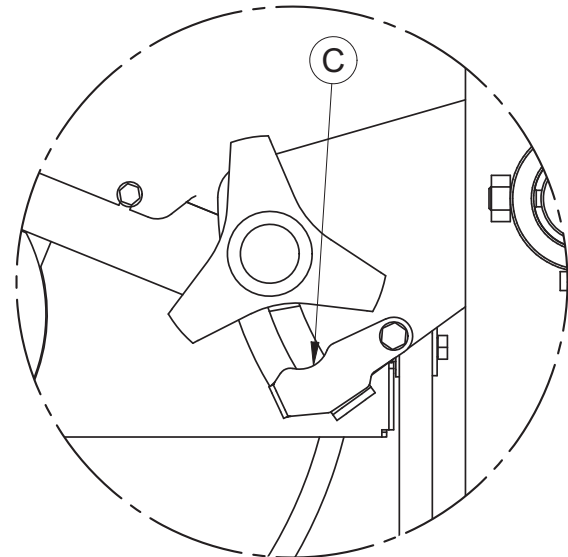
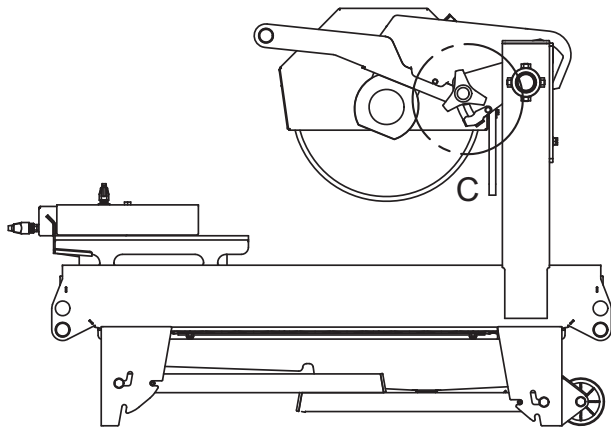


DETTAGLIO B



DETTAGLIO C

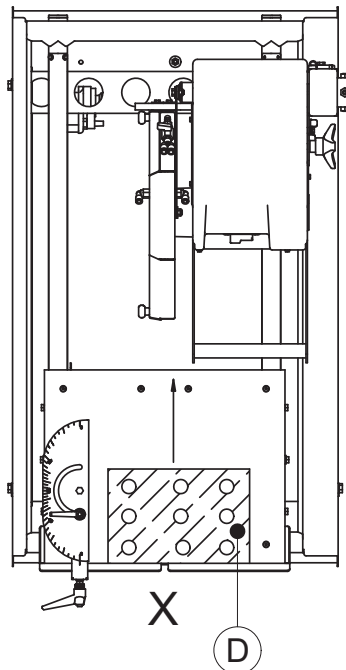


FIG.3

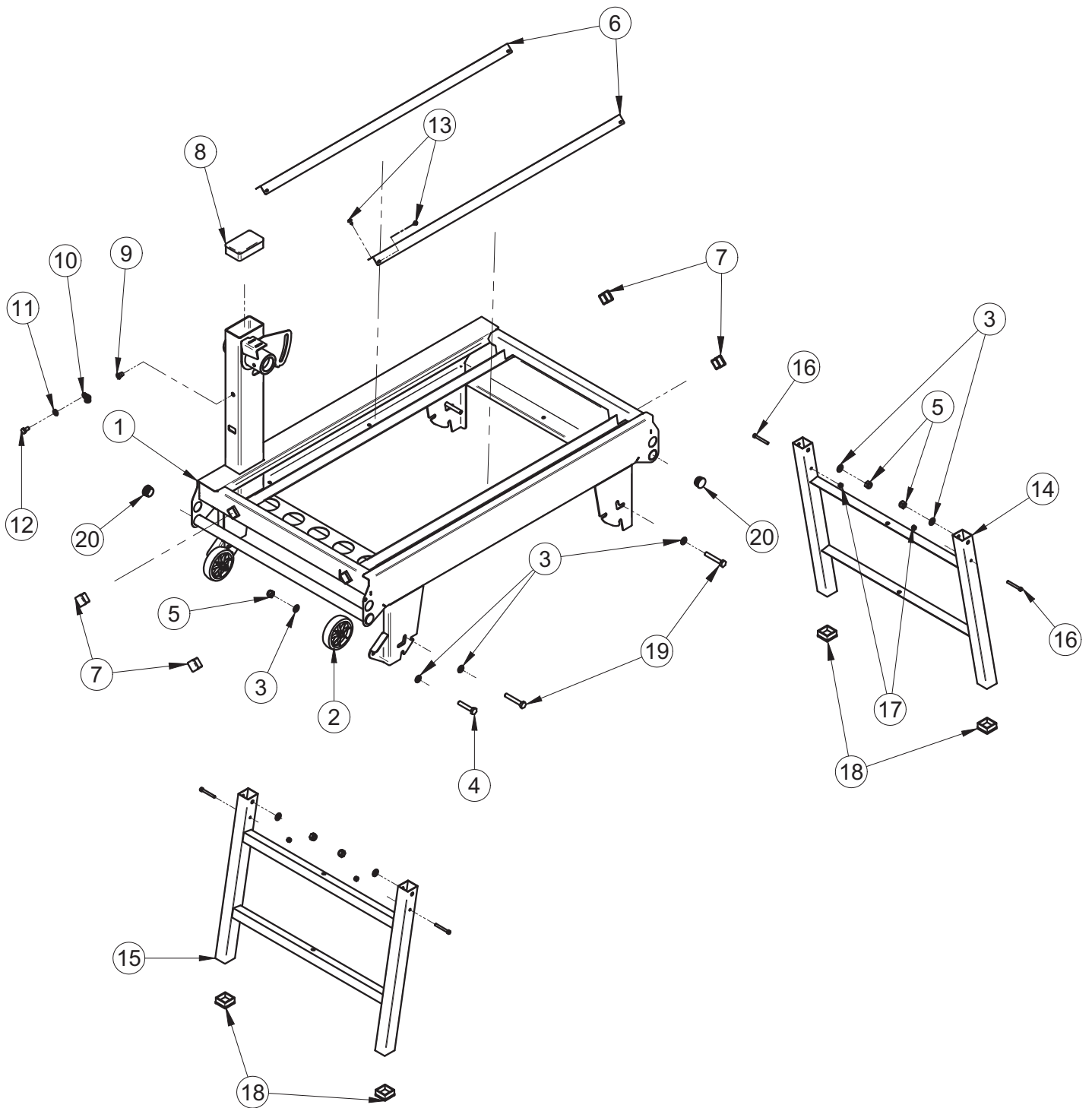


FIG.4

| TAV. 4 - STRUTTURA MACCHINA - STRUCTURE MACHINE - MACHINE STRUCTURE - MASCHINENAUFBAU - ESTRUCTURA DE LA MAQUINA | | | | | | | |
|------------------------------------------------------------------------------------------------------------------|---------|-------------------|------------------------------------------|-----------------|-------------------|------------------|-----------------|
| RIF. | COD. | I | F | GB | D | E | NOTE |
| 1 | 3231000 | TELAIO | CHÂSSIS | FRAME | RAHMEN | BASTIDOR | |
| 2 | 3205257 | RUOTA GOMMATA | ROUE CAOUTCHOUC | RUBBER WHEEL | GUMMIRAD | RUEDA | |
| 3 | 2224340 | RONDELLA | RONDELLE | WASHER | UNTERLEGSCHIEBE | ARANDELA | 6592 - 10X21 |
| 4 | 2222144 | VITE | VIS | SCREW | SCHRAUBE | TORNILLO | 5737 - M10 |
| 5 | 2223920 | DADO | ÉCROU | NUT | MUTTER | TUERCA | 7474 - M10 |
| 6 | 3231005 | GUIDA | BARRE DE GUIDAGE | GUIDE | FÜHRUNG | GUÍA | |
| 7 | 3205943 | TAPPO | BOUCHON | PLUG | STUTZEN | TAPÓN | GPN260 Q30X30 |
| 8 | 3209032 | TAPPO | BOUCHON | PLUG | STUTZEN | TAPÓN | GPN260 R100X60 |
| 9 | 2224005 | INSERTO FILETTATO | TAMPON FILETÉ | THREADED INSERT | GEWINDEEINSATZ | ELEMENTO ROSCADO | 9418 - M8 |
| 10 | 3206312 | FASCETTA | COLLIER | CLAMP | SHELLE | ABRAZADERA | |
| 11 | 2224140 | RONDELLA | RONDELLE | WASHER | UNTERLEGSCHIEBE | ARANDELA | 6593 - 8X24 |
| 12 | 2222064 | VITE | VIS | SCREW | SCHRAUBE | TORNILLO | 5739 - M8X16 |
| 13 | 3206361 | VITE | VIS | SCREW | SCHRAUBE | TORNILLO | 8117 - 4,8X13 |
| 14 | 3230966 | GAMBA ANTERIORE | PIÈTEMENT AVANT (PIED SUPPORT AVANT) | FRONT LEG | VORDERES BEINPAAR | PATA DELANTERA | |
| 15 | 3230969 | GAMBA POSTERIORE | PIÈTEMENT ARRIÈRE (PIED SUPPORT ARRIÈRE) | REAR LEG | HINTERES BEINPAAR | PATA TRASERA | |
| 16 | 2222547 | VITE | VIS | SCREW | SCHRAUBE | TORNILLO | 5931 - M6X50 |
| 17 | 2223924 | DADO | ÉCROU | NUT | MUTTER | TUERCA | 7473 - M6 |
| 18 | 2257705 | TAPPO | PATIN | PLUG | STUTZEN | TAPÓN | GPN260 Q40X40 |
| 19 | 2222148 | VITE | VIS | SCREW | SCHRAUBE | TORNILLO | 5737 - M10X65 |
| 20 | 3208452 | TAPPO | PATIN | PLUG | STUTZEN | TAPÓN | GPN 320 GL 30X2 |

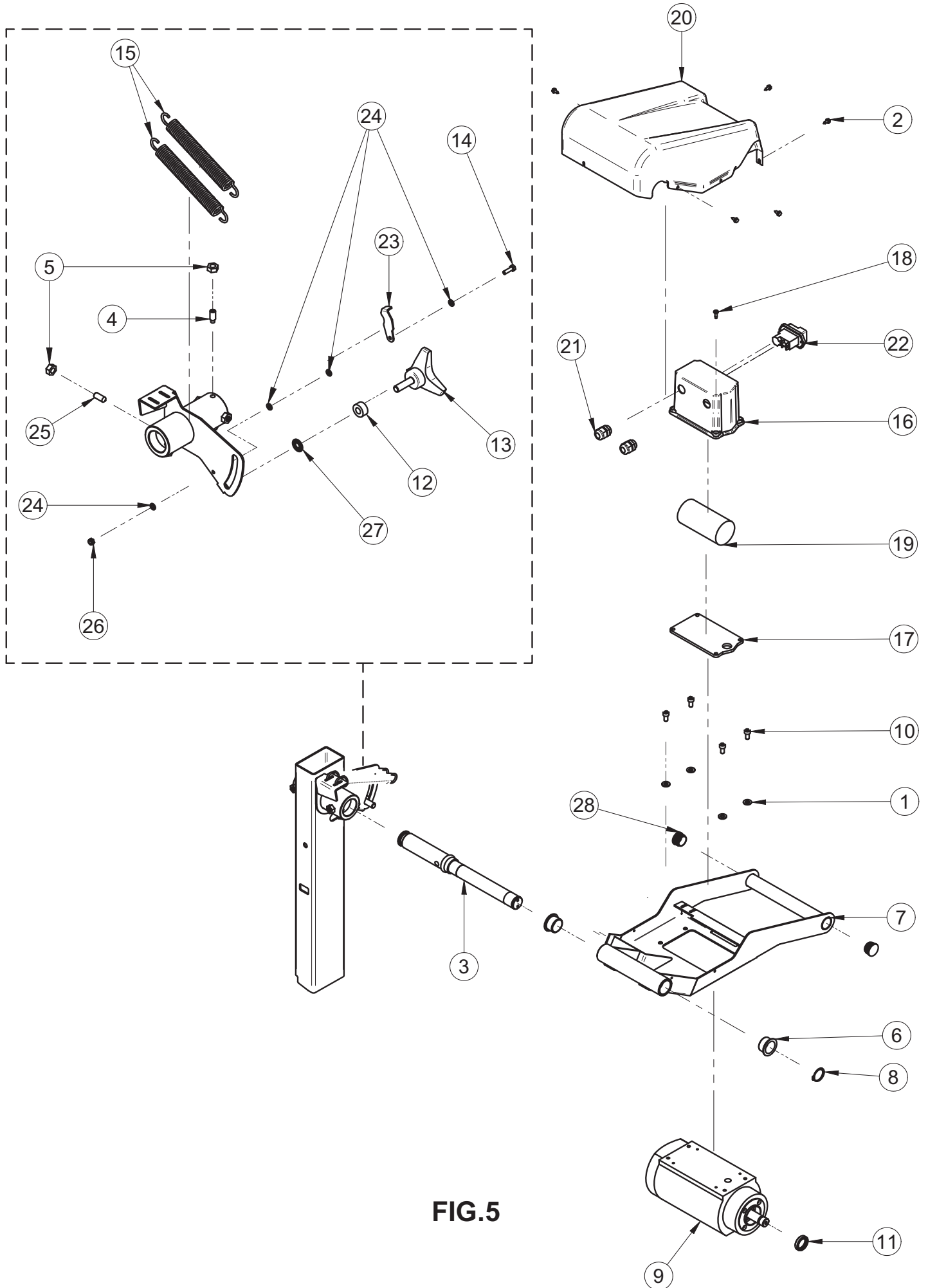


FIG.5

| TAV. 5 - GRUPPO BRACCIO - GROUPE BRAS - ARM ASSEMBLY - ARMGRUPPE - GRUPO DEL BRAZO | | | | | | | |
|------------------------------------------------------------------------------------|----------|--------------------------|----------------------|----------------------|------------------------------|-----------------------------|------------------|
| RIF. | COD. | I | F | GB | D | E | NOTE |
| 1 | 2224140 | RONDELLA | RONDELLE | WASHER | UNTERLEGSCHIEBE | ARANDELA | 6593 - Ø 8X24 |
| 2 | 2222420 | VITE | VIS | SCREW | SCHRAUBE | TORNILLO | TE 6950 4,8X13 |
| 3 | 3231077 | PERNO OSCILLANTE | AXE OSCILLANT | PIVOT | SCHWENKBOLZEN | PERNO OSCILANTE | |
| 4 | 3231030 | GRANO FILETTATO | GOUJON FILETÉ | GRUBSCREW | GEWINDESTIFT | TORNILLO PRISIONERO ROSCADO | 5925 - Ø 10X25 |
| 5 | 2223560 | DADO | ÉCROU | NUT | MUTTER | TUERCA | 5588 - M10 |
| 6 | 3231010 | BOCCOLA | DOUILLE | BUSHING | BUCHSE | CASQUILLO | GFM-3034-20 |
| 7 | 3230948 | BRACCIO | BRAS | ARM | ARM | BRAZO | |
| 8 | 2227340 | ANELLO DI ARRESTO | CIRCLIP D'ARRÊT | STOP RING | ANSCHLAGRING | ANILLO DE TOPE | 7435 - Ø 30 |
| 9 | 3231008 | MOTORE ELETTRICO | MOTEUR ÉLECTRIQUE | ELECTRIC MOTOR | ELEKTROMOTOR | MOTOR ELÉCTRICO | 230V |
| 10 | 2222515 | VITE | VIS | SCREW | SCHRAUBE | TORNILLO | TCEI 5931 - 8X16 |
| 11 | | PARAOLIO | BAGUE D'ÉTANCHÉITÉ | OIL RETAINER | ÖLDICHTUNG | RETÉN DE ACEITE | |
| 12 | 32310769 | DISTANZIALE | ENTRETOISE | SPACER | ABSTANDHALTER | DISTANCIADOR | |
| 13 | 3231011 | VOLANTINO | BOUTON À LOBES | HANDWHEEL | HANDRAD | POMO | M12X40 |
| 14 | 2222016 | VITE | VIS | SCREW | SCHRAUBE | TORNILLO | TE 5739 - M6X20 |
| 15 | 3230974 | MOLLA TESTA | RESSORT DE TÊTE | HEAD SPRING | KOPFFEDER | MUELLE DEL CABEZAL | |
| 16 | 3231006 | CASSETTA ELETTRICA | COFFRET ÉLECTRIQUE | ELECTRICAL ENCLOSURE | FACH DER ELEKTRISCHEN ANLAGE | CAJA ELÉCTRICA | |
| 17 | 3230972 | GUARNIZIONE | JOINT | GASKET | DICHTUNG | JUNTA | |
| 18 | 2222465 | VITE | VIS | SCREW | SCHRAUBE | TORNILLO | 8112 - M5X16 |
| 19 | | CONDENSATORE | CONDENSATEUR | CAPACITOR | KONDENSATOR | CONDENSADOR | |
| 20 | 3230956 | CARTER | CARTER | GUARD | GEHÄUSE | CÁRTER | |
| 21 | 3209692 | PRESSACAVO | PRESSE-CÂBLE | CABLE CLAMP | KABELVERSCHRAUBUNG | PASACABLES | |
| 22 | 3209337 | INTERRUTTORE | INTERRUPTEUR | SWITCH | SCHALTER | INTERRUPTOR | 230V |
| 23 | 3231074 | CHIAVISTELLO/ BATTUTA | VERROU/BUTOIR | LATCH/STOP | RIEGEL/ANSCHLAG | PASADOR/TOPE | |
| 24 | 2224530 | RONDELLA | RONDELLE | WASHER | UNTERLEGSCHIEBE | ARANDELA | 6592 - 6X12.5 |
| 25 | 3231031 | GRANO FILETTATO | GOUJON FILETÉ | GRUBSCREW | GEWINDESTIFT | TORNILLO PRISIONERO ROSCADO | 5927 - Ø 10X25 |
| 26 | 2223700 | DADO | ÉCROU | NUT | MUTTER | TUERCA | M6 |
| 27 | 3231210 | RONDELLA DI SICUREZZA | RONDELLE DE SÉCURITÉ | SAFETY WASHER | SICHERUNGSSCHIEBE | ARANDELA DE SEGURIDAD | Ø 12X24 |
| 28 | 3208452 | TAPPO | PATIN | PLUG | STUTZEN | TAPÓN | GPN 320 GL 30X2 |

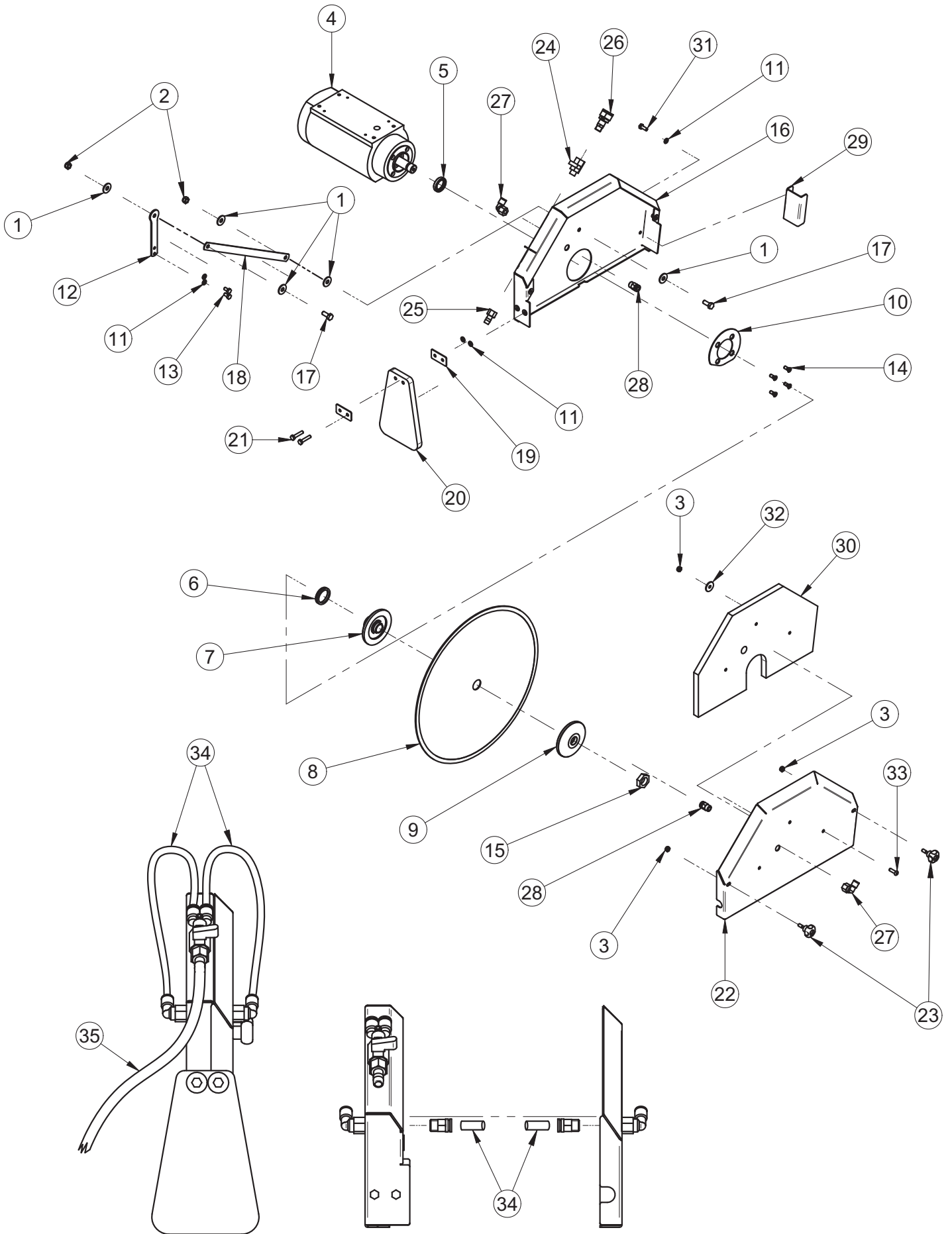


FIG.6

| TAV.6 - MONTAGGIO E MOTORE CARTER DISCO - MONTAGE DU MOTEUR ET DU CARTER DISQUE - DISC GUARD AND MOTOR ASSEMBLY MONTAGE VON MOTOR UND SCHEIBENSCHUTZGEHÄUSE - MONTAJE MOTOR CÁRTER DISCO | | | | | | | |
|---------------------------------------------------------------------------------------------------------------------------------------------------------------------------------------------|---------|--------------------------|------------------------------------|-----------------------|--------------------------------------|--------------------------------|---------------------|
| RIF | COD. | I | F | GB | D | E | NOTE |
| 1 | 2224204 | RONDELLA | RONDELLE | WASHER | UNTERLEGSCHIEBE | ARANDELA | 6593 - Ø 8X24 |
| 2 | 3210623 | DADO | ÉCROU | NUT | MUTTER | TUERCA | M8 |
| 3 | 3211470 | DADO | ÉCROU | NUT | MUTTER | TUERCA | 7474 - M6 |
| 4 | 3231008 | MOTORE EELTRICO | MOTEUR ÉLECTRIQUE | ELECTRIC MOTOR | ELEKTROMOTOR | MOTOR ELÉCTRICO | 230V |
| 5 | | PARAOLIO | BAGUE D'ÉTANCHÉITÉ | OIL RETAINER | ÖLDICHTUNG | RETÉN DE ACEITE | |
| 6 | 3231009 | ANELLO V-RING | JOINT V-RING | V-RING | V-RING | JUNTA V-RING | |
| 7 | 3230965 | FLANGIA INTERNA | FLASQUE INTERNE | INNER FLANGE | INTERNER FLANSCH | BRIDA INTERNA | |
| 8 | 1193899 | DISCO | DISQUE | ARM | SCHEIBE | DISCO | Ø 350mm |
| 9 | 3230964 | FLANGIA ESTERNA | FLASQUE EXTERNE | OUTER FLANGE | EXTERNER FLANSCH | BRIDA ESTERNA | |
| 10 | 3230947 | ANELLO DI FISSAGGIO | BAGUE DE FIXATION | RETAINER RING | BEFESTIGUNGSRING | ANILLO DE FIJACIÓN | |
| 11 | 2224530 | RONDELLA | RONDELLE | WASHER | UNTERLEGSCHIEBE | ARANDELA | 6592 - Ø 6X12.5 |
| 12 | 3230988 | SUPPORTO PARALLELOGRAMMA | BRIDE | BRACKET MOUNT | BÜGEL | SOPORTE | |
| 13 | 1222004 | VITE | VIS | SCREW | SCHRAUBE | TORNILLO | TE 5739 M6X12 |
| 14 | 3231162 | VITE | VIS | SCREW | SCHRAUBE | TORNILLO | TSPEI 5933 M6X16 |
| 15 | 3208541 | DADO | ÉCROU | NUT | MUTTER | TUERCA | 5589 - M20X1.5 SX |
| 16 | 3231212 | CARTER DISCO | CARTER DISQUE | DISC GUARD | SCHEIBENSCHUTZGEHÄUSE | CÁRTER DEL DISCO | |
| 17 | 2222060 | VITE | VIS | SCREW | SCHRAUBE | TORNILLO | TE 5739 M8X20 |
| 18 | 3230946 | STAFFA PARALLELOGRAMMA | BRIDE | BRACKET | BÜGEL | SOPORTE | |
| 19 | 3231004 | PIASTRINA PARASCHIZZI | PLAQUETTE FLASQUE ANTI-PROJECTIONS | SPLASH GUARD PLATE | SPRITZSCHUTZPLATTE | PLACA CONTRA SALPICADURAS | |
| 20 | 3230975 | PARASCHIZZI | FLASQUE ANTI-PROJECTIONS | SPLASH GUARD | SPRITZSCHUTZ | PROTECCIÓN CONTRA SALPICADURAS | |
| 21 | 2222022 | VITE | VIS | SCREW | SCHRAUBE | TORNILLO | TE 5739 M6X30 |
| 22 | 3230959 | COPERCHIO CARTER DISCO | COUVERCLE DE CARTER DISQUE | DISC GUARD COVER | ABDECKUNG DES SCHEIBENSCHUTZGEHÄUSES | TAPA DEL CÁRTER DEL DISCO | 6592 - 6X12.5 |
| 23 | 3231012 | VOLANTINO | BOUTON À LOBES | HANDWHEEL | HANDRAD | POMO | M6 |
| 24 | 3224206 | VALVOLA A SFERA | SOUPAPE À BILLE | BALL VALVE | KUGELVENTIL | VÁLVULA DE ESFERA | 1/4" M.F. |
| 25 | 3228674 | PORTAGOMMA | EMBOUT DE TUYAU | PIPE HOLDER | SCHLAUCHHALTER | FIJACIÓN DE MANGUERA | F.1/4" x Ø12 |
| 26 | 3231015 | RACCORDO ARIA | RACCORD AIR | AIR CONNECTOR | LUFTANSCHLUSS | EMPALME DEL AIRE | DIRITTO 1/4" DOPPIO |
| 27 | 3224366 | RACCORDO ARIA | RACCORD AIR | AIR CONNECTOR | LUFTANSCHLUSS | EMPALME DEL AIRE | 90° 1/4" F. |
| 28 | 3231014 | RACCORDO ARIA | RACCORD AIR | AIR CONNECTOR | LUFTANSCHLUSS | EMPALME DEL AIRE | DIRITTO 1/4" M. |
| 29 | 3231211 | CONVOGLIATORE ACQUA | CONVOYEUR EAU | WATER MANIFOLD | WASSERVERTEILER | CONDUCTO DE AGUA | |
| 30 | 3231256 | PANNELLO INSONORIZZANTE | PANNEAU INSONORISANT | SOUND-ABSORBENT PANEL | SCHALLDÄMMPLATTE | PANEL FONOABSORBENTE | |
| 31 | 2222002 | VITE | VIS | SCREW | SCHRAUBE | TORNILLO | TE 5739 6X16 Z. |
| 32 | 2224049 | RONDELLA | RONDELLE | WASHER | UNTERLEGSCHIEBE | ARANDELA | 6X24 Z. |
| 33 | 3206223 | VITE | VIS | SCREW | SCHRAUBE | TORNILLO | TBEI 6X20 Z. |
| 34 | 1272701 | TUBO Ø 6X8 | TUYAU Ø 6X8 | HOSE DIA. 6X8 | SCHLAUCH Ø 6X8 | TUBO Ø 6 x 8 | 1mt |
| 35 | 3227803 | TUBO ACQUA Ø 10X14 | TUYAU EAU Ø 10X14 | WATER HOSE DIA. 10X14 | WASSERSCHLAUCH Ø 10X14 | TUBO DE AGUA Ø 10 x 14 | 2mt |

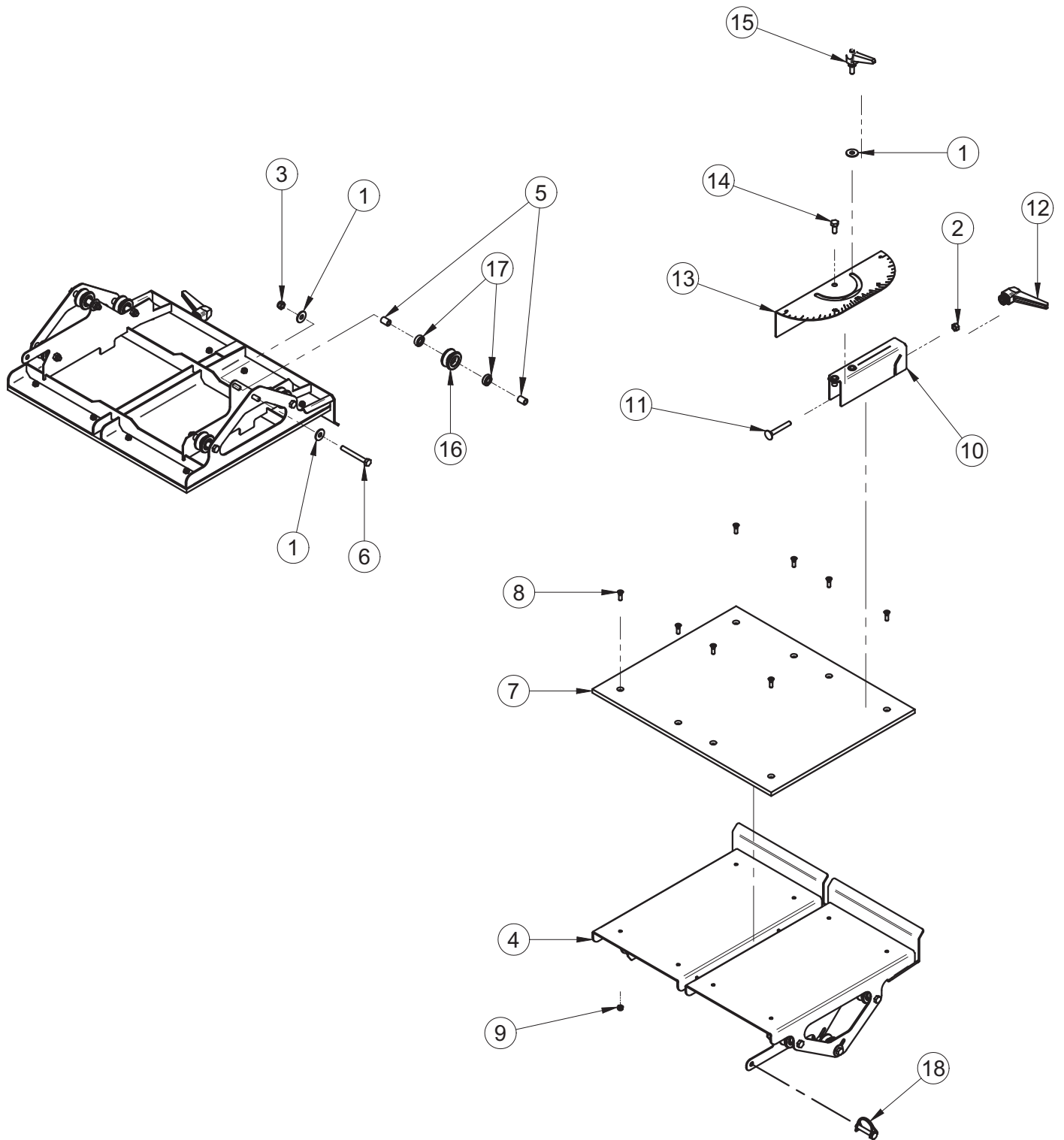


FIG.7

| TAV. 7 - CARRELLO - CHARIOT - CARRIAGE - SCHLITTEN - CARRO | | | | | | | |
|------------------------------------------------------------|---------|------------------------|------------------------------------------|------------------|--------------------------|---------------------------|------------------|
| RIF. | COD. | I | F | GB | D | E | NOTE |
| 1 | 2224024 | RONDELLA | RONDELLE | WASHER | UNTERLEGSCHIEBE | ARANDELA | 6593 Ø 6X24 |
| 2 | 2223570 | DADO | ÉCROU | NUT | MUTTER | TUERCA | M8 |
| 3 | 3210623 | DADO | ÉCROU | NUT | MUTTER | TUERCA | M8 |
| 4 | 3230955 | CARRELLO | CHARIOT | CARRIAGE | SCHLITTEN | CARRO | |
| 5 | 3231075 | DISTANZIALE | ENTRETOISE | SPACER | ABSTANDHALTER | DISTANCIADOR | |
| 6 | 2222091 | VITE | VIS | SCREW | SCHRAUBE | TORNILLO | TE 5737 M8x70 |
| 7 | 3230990 | PIANO DI LEGNO | PLATEAU EN BOIS | WOODEN TABLE | HOLZPLATTE | MESA DE MADERA | |
| 8 | 2222607 | VITE | VIS | SCREW | SCHRAUBE | TORNILLO | TSPEI 5933 M6X20 |
| 9 | 3211470 | DADO | ÉCROU | NUT | MUTTER | TUERCA | 7474 M6 |
| 10 | 3231211 | SUPPORTO GONIOMETRO | SUPPORT DE RAPPORTEUR (GONIOMÈTRE) | GONIOMETER MOUNT | GONIOMETER- HALTERUNG | SOPORTE DEL GONIÓMETRO | |
| 11 | 3231183 | VITE | VIS | SCREW | SCHRAUBE | TORNILLO | TTCQ M8X60 |
| 12 | 3231007 | LEVA A SCATTO | MANETTE INDEXABLE | LEVER | HEBEL | PALANCA DE RESORTE | M8 F. |
| 13 | 3230971 | GONIOMETRO | GONIOMÈTRE | GONIOMETER | GONIOMETER | GONIÓMETRO | |
| 14 | 3208416 | PERNO | AXE | PIN | BOLZEN | MANGUITO | M8X20 |
| 15 | 3208414 | LEV A SCATTO | MANETTE INDEXABLE | LEVER | HEBEL | PALANCA DE RESORTE | M8X20 M. |
| 16 | 3207397 | RUOTA | ROUE | WHEEL | RAD | RUEDA | |
| 17 | 3204945 | CUSCINETTO | ROULEMENT | BEARING | LAGER | COJINETE | 608 2RS1 |

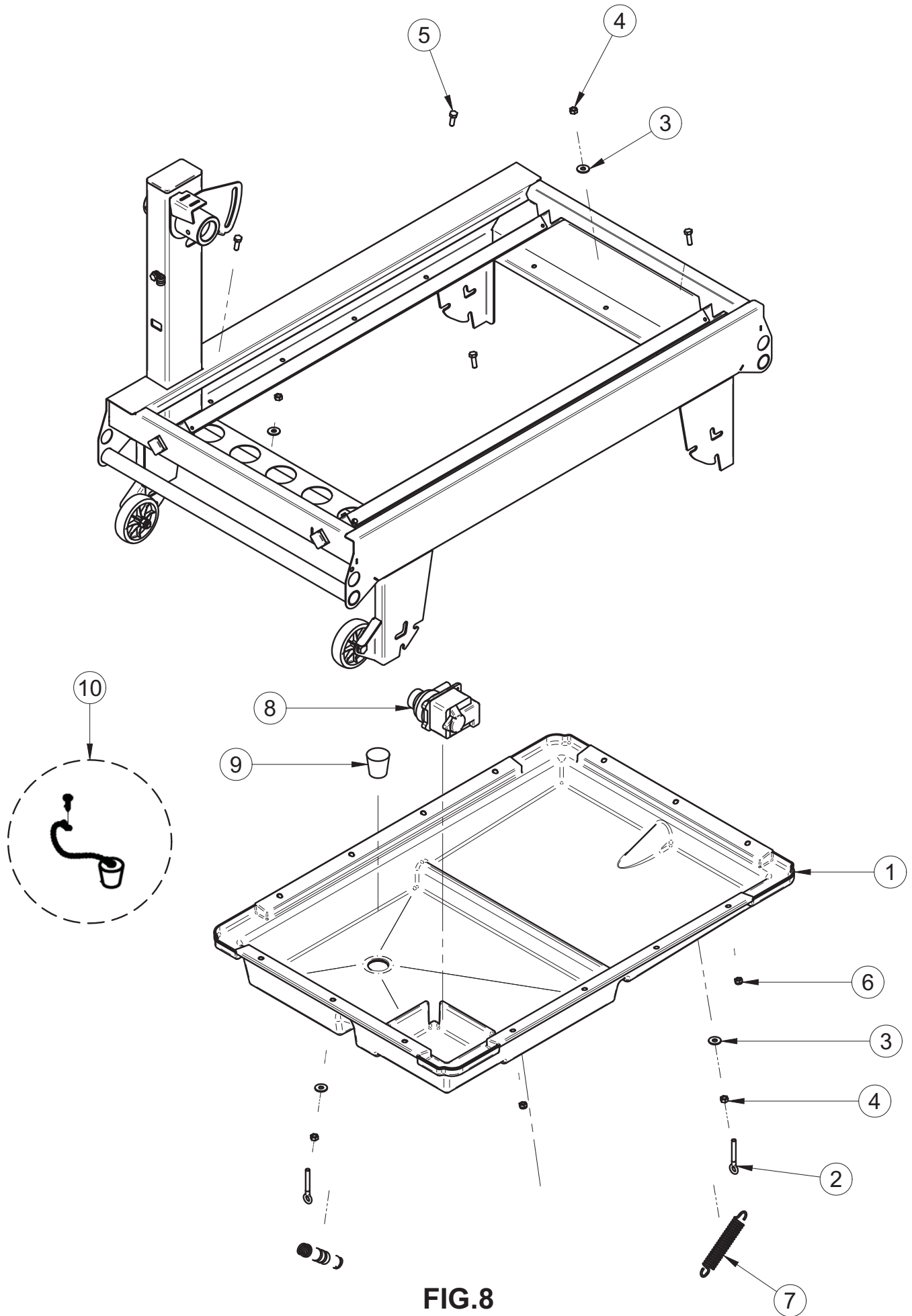
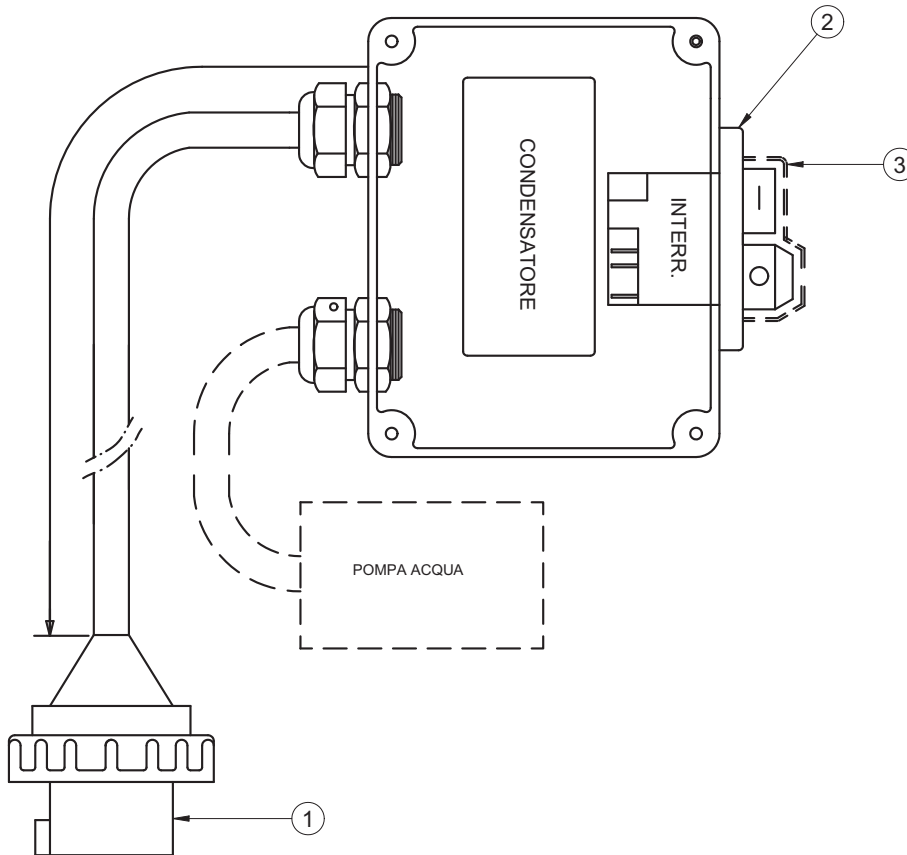
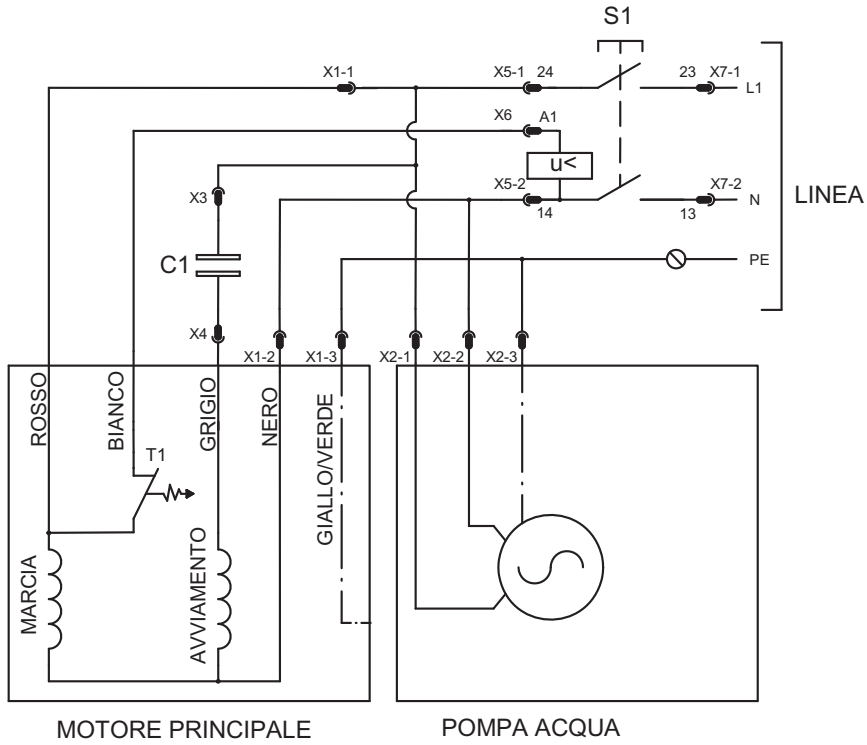


FIG.8

| TAV. 8 - GRUPPO VASCA - GROUPE CUVE - TANK ASSEMBLY - WASSERBECKEN - GRUPO DEL DEPÓSITO | | | | | | | |
|-----------------------------------------------------------------------------------------|---------|----------------|-----------------------|---------------|------------------|---------------------|---------------|
| RIF. | COD. | I | F | GB | D | E | NOTE |
| 1 | 3231009 | VASCA | CUVE | TANK | BECKEN | DEPÓSITO | |
| 2 | 3231034 | TIRANTE | TIRANT | TIE-ROD | STREBE | TIRANTE | |
| 3 | 2224204 | RONDELLA | RONDELLE | WASHER | UNTERLEGSCHIEBE | ARANDELA | 6593 - Ø 8X24 |
| 4 | 2223570 | DADO | ÉCROU | NUT | MUTTER | TUERCA | M8 |
| 5 | 2222076 | VITE | VIS | SCREW | SCHRAUBE | TORNILLO | TE 5739 M8X25 |
| 6 | 3210623 | DADO | ÉCROU | NUT | MUTTER | TUERCA | M8 |
| 7 | 3230973 | MOLLA GAMBE | RESSORT DE PIÈTEMENTS | LEG SPRING | BEINFEDER | MUELLE DE LAS PATAS | |
| 8 | 3231175 | POMPAACQUA | POMPE D'ARROSAGE | WATER PUMP | WASSERPUMPE | BOMBA DE AGUA | |
| 9 | 3231018 | TAPPO | BOUCHON | PLUG | STUTZEN | TAPÓN | |
| 10 | 3231093 | TAPPO COMPLETO | BOUCHON COMPLET | COMPLETE PLUG | STUTZEN KOMPLETT | TAPÓN COMPLETO | |

SCHEMA ELETTRICO



| SCHEMA ELETTRICO - SCHÉMA ÉLECTRIQUE - WIRING DIAGRAM - STROMLAUFPLAN - ESQUEMA ELÉCTRICO | | | | | | | |
|-------------------------------------------------------------------------------------------|---------|----------------------------|----------------------------|-------------------|----------------|-------------------------------|---------------------------|
| RIF. | COD. | I | F | GB | D | E | NOTE |
| 1 | 3203504 | SPINA 2P+T | FICHE 2P+T | PLUG 2P+GND | STECKER 2P+E | CLAVIJA 2P+T | 2P+T IP67 16A 200-250V |
| 2 | 3209337 | INTERRUTTORE | INTERRUPTEUR | SWITCH | SCHALTER | INTERRUPTOR | 230V |
| 3 | 3209340 | PROTEZIONE INTERRUTTORE | PROTECTION INTERRUPTEUR | SWITCH PROTECTION | SCHALTERSCHUTZ | PROTECCIÓN DEL INTERRUPTOR | |