

No.	Code.	Description	Exploration drawing
Fig 1. Exploded view of engine block assembly			Fig 1. Exploded view of engine block assembly
1	ES1801039	start motor	
	92ES1801039	92start motor	
2	ES1801040	bolt M10x35 (GB/T5783-2000)	
3	70-1704901	70Cylinder head nuts (long)	
	78-1704902	78Cylinder head nuts (long)	
	86/88-1704903	86/88 Cylinder head nuts (long)	
	92-1704903	92 Cylinder head nuts (long)	
4	70-1705001	70Cylinder head nuts (short)	
	78-1705002	78Cylinder head nuts (short)	
	86/88-1705003	86/88Cylinder head nuts (short)	
	92-1705003	92Cylinder head nuts (short)	
5	70-1704801	70 Cylinder head nut gasket	
	78-1704802	78 Cylinder head nut gasket	
	86/88-1704803	86/88 Cylinder head nut gasket	
	92-1704803	92 Cylinder head nut gasket	
6	70-1719504	70 Cylinder head gasket 0.3	
	70-1719504	70 Cylinder head gasket 0.4	
	70-1719504	70 Cylinder head gasket 0.5	
	78-1779704	78 Cylinder head gasket 0.3	
	78-1779704	78 Cylinder head gasket 0.4	
	78-1779704	78 Cylinder head gasket 0.5	
	86-1706314	86 Cylinder head gasket 0.3	
	86-1706314	86 Cylinder head gasket 0.4	
	86-1706311	86 Cylinder head gasket 0.5	
	88-1706312	88 Cylinder head gasket 0.3	
	88-1706313	88 Cylinder head gasket 0.4	
	88-1706314	88 Cylinder head gasket 0.5	
	92-1706312	92 Cylinder head gasket 0.3	
921706313	92 Cylinder head gasket 0.4		

	92-1706314	92 Cylinder head gasket 0.5
7	70-1801107	70 Rectangle ring gasket 4.5x2.5
	78-1801207	78 Rectangle ring gasket 4.5x2.2
	86/88/92-1801307	86/88/92 Rectangle ring gasket 4.1x4.25x2.3
8	70-1700201	70 Cylinder head bolts (long)
	78-1700202	78 Cylinder head bolts (long)
	86/88-1700203	86/88 Cylinder head bolts (long)
	92-1700203	92 Cylinder head bolts (long)
9	70-1700301	70 Cylinder head bolts (short)
	78-1700302	78 Cylinder head bolts (short)
	86/88-1700303	86/88 Cylinder head bolts (short)
	92-1700303	92 Cylinder head bolts (short)
10	70-1700107	70 Cylinder block
	78-1700103	78 Cylinder block
	86-1700109	86 Cylinder block
	88-1700110	88 Cylinder block
	92-1700110	92 Cylinder block
11	70/78-1711702	Rear oil seal 30 x 45 x 8
	86/88/92-1711704	Rear oil seal 35 x 50 x 8
12	17121	Oil drain plug
13	17120	Oil drain plug gasket
14	1711324	O ring for oil dipstick 24x2.4
15	17123	Fuel injection pump fastening bolt (short)
	92-17123	Fuel injection pump fastening bolt (long)
16	17122	Fuel injection pump fastening bolt (long)
	92-17122	Double ended stud AM6 x25 (GB899-88)
17	1719605	Fuel injector adjusting gasket 0.1
	1719605	Fuel injector adjusting gasket 0.2
	1719605	Fuel injector adjusting gasket 0.3

	1719605	Fuel injector adjusting gasket 0.4
	1719605	Fuel injector adjusting gasket 0.5
17-1	92-1719605	92 Injection Pump Gasket
18	70-1702001	70-Oil dipstick
	78/86/88/92-1702002	78/86/88/92-Oil dipstick
19	1710103	Heterotypic nut M6(GB/T 6170)
20	17159	Sealing plate gasket
21	17158	Sealing plate
22	17195	Thrust piece
23	1710636	bolts M8x16 (GB5783-86)
24	1710010	Needle bearing 7941/15
25	70-1710006	70 Ball bearing 306 (GB/T276-94)
	78-1710007	78 Ball bearing 307 (GB/T276-94)
	86/88-1710008	86/88 Ball bearing 308 (GB/T276-94)
	92-1710008	92 Ball bearing 308 (NSK)
26	70-1704601	70-Crankcase cover gasket
	78-1704602	78-Crankcase cover gasket
	86-1704603	86-Crankcase cover gasket
	88-1704603	88-Crankcase cover gasket
	92-1704603	92-Crankcase cover gasket
27	70-1710002	70-Bearing 205 (GB/T276-94)
	78-1710003	78-Bearing 206 (GB/T276-94)
	86/88/92-1710004	86/88/92-Bearing 207 (GB/T276-94)
28	1711111	Retaining pin 8x12 (GB119-2001)
29	78/86-17080	78/86-oil guide
30	70-1701901	70-Crankcase cover
	78-1701902	78-Crankcase cover
	86-1701904	86-Crankcase cover

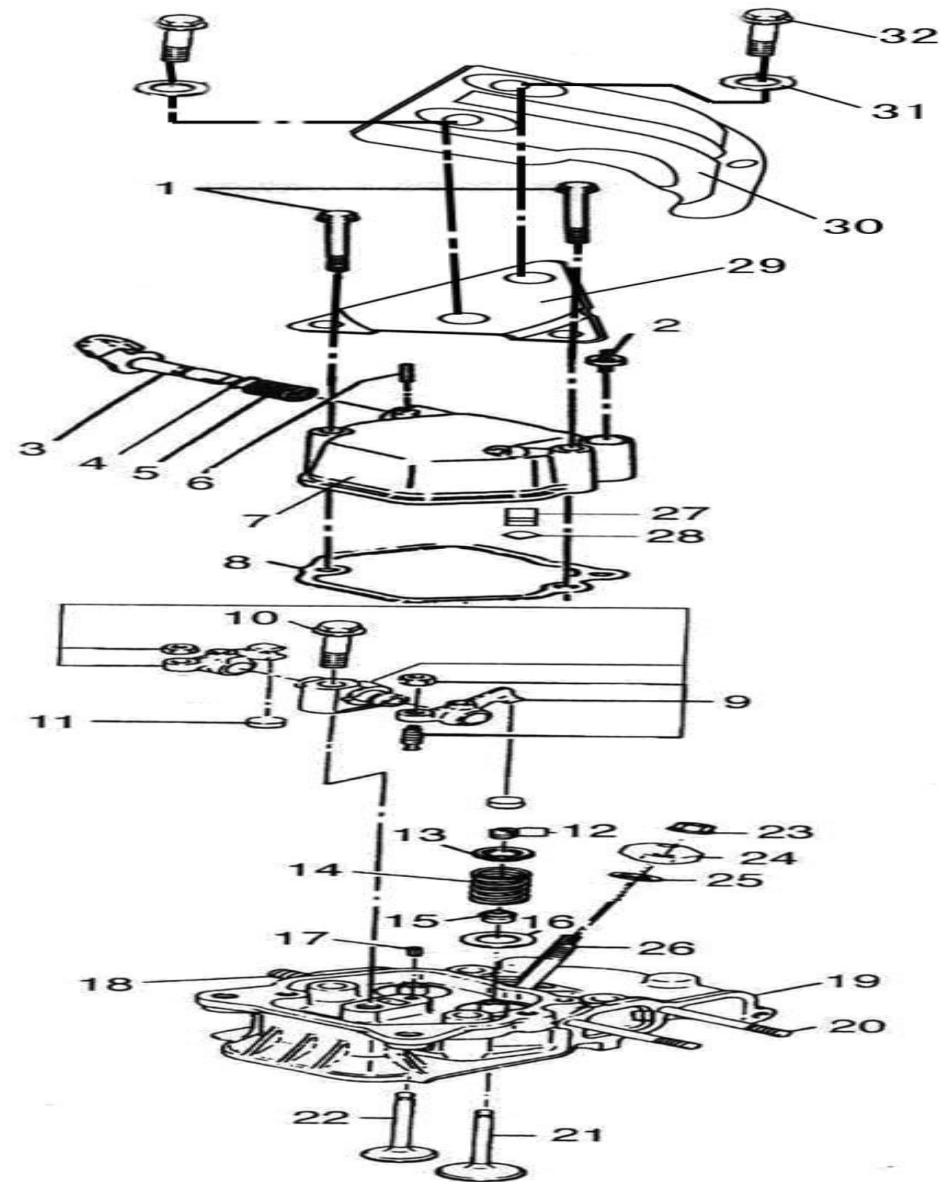
	88-1701904	88-Crankcase cover
	92-1701904	92-Crankcase cover
31	17133	Inner Hexagon Plug G1/8"
32	70-1710062	Hexagon flange bolts M8 x 30 JB/T 4110-1985
	78/86/88/92-1710083	Hexagon flange bolts M8 x 37 JB/T 4110-1985
33	70-1711701	Front oil seal 25 x 42 x 10
	78-1711703	Front oil seal 30 x 45 x 10
	86/88/92-1711705	Front oil seal 35 x 50 x 10
34	ES1801045	Regulator
35	70-1701801	70-Main Bushing
	78-1701802	78-Main Bushing
	86/88/92-1701803	86-Main Bushing
36	70FS-1801136	70FS-Front side crankcase cover
	78FS-1801236	78-Front side crankcase cover
	86/88FS-1801336	86-Front side crankcase cover
37	70FS-1801137	70-Front side oil seal
	78FS-1801237	78-Front side oil seal
	86/88FS-1801337	86-Front side oil seal
38	1711602	Aluminum Plug $\phi 8 \times 8$
39	ES1801041	flat washer 10 (GB/T97.1-1985)
40	ES1801042	spring washer 10 (GB/T93-87)
41	1710712	Heterotypic bolt M6x12 (GB/T16674-1996)
42	ES1801043	Support of regulator
43	1801044	Start switch assembly

Fig 2. Exploded view of cylinder head

1	70/78-1710755	M6 x 55 Flanged Bolt (GB5789-86)
	86/88/92-1710730	M6 x 70 Flanged Bolt (GB5789-86)

Fig 2. Exploded view of cylinder head

2	17142	Oiling screw plug
3	17139	Decompression shaft
4	1711310	O ring 10 x 1.9 (GB1235-76)
5	17140	Decompression shaft spring
6	1711103	Retaining pin 3 x 16 (GB119-2000)
7	70-17066	70Cylinder head cover
	78-17066	78-Cylinder head cover
	86-1706603	86-Cylinder head cover
	88-1706603	88-Cylinder head cover
	92-1706603	92-Cylinder head cover
8	70/78-17170	70/78-Cylinder head cover gasket
	86/88-1717001	86/88-Cylinder head cover gasket
	92-1717001	92-Cylinder head cover gasket
9	70/78-17168	70/78-Rocker arm
	86/88/92-1716801	86/88/92-Rocker arm
10	70/78-170745	70/78 Rocker arm shaft fastening bolt
	86/88/92-1716901	86/88/92 Rocker arm shaft fastening bolt
11	70-1705201	70 Adjusting valve spacer
	78-1705202	78 Adjusting valve spacer
	86/88/92-1705203	86/88/92 Adjusting valve spacer
12	70-1702701	70 Valve clip
	78-1702702	78 Valve clip
	86/88/92-1702703	86/88/92 Valve clip
13	70-1702801	70 Valve spring seat
	78-1702802	78 Valve spring seat
	86/88/92-1702803	86/88/92 Valve spring seat
14	70-1702901	70 Valve spring
	78-1702902	78 Valve spring
	86/88/92-1702903	86/88/92 Valve spring



15	70-1702003	70 Valve guide oil seal
	78-1702004	78 Valve guide oil seal
	86/88/92-1702100	86/88/92 Valve guide oil seal
16	70-1802116	70 Valve spring washer
	78-1802216	78 Valve spring washer
	86/88/92-1802316	86/88/92 Valve spring washer
17	1711104	Pin 4 x 8 (GB119-2000)
18	1710920	Double ended stud AM8 x 36 (GB899-88)
	92-1710920	Double ended stud AM10 x25 (GB899-88)
19	70-1702403	70 Cylinder Head
	78-1702402	78 Cylinder Head
	86-1702403	86 Cylinder Head
	88-1702404	88 Cylinder Head
	92-1702404	92 Cylinder Head
20	70/78-1710955	70/78 Double ended bolt AM6 x 55 (GB900-88)
	86/88-1710956	86/88 Double ended bolt AM6 x 75 (GB900-88)
21	70-1702501	70 Intake valve
	78-1702601	78 Intake valve
	86-1702503	86 Intake valve
	88-1702503	88 Intake valve
	92-1702503	92 Intake valve
22	70-1702502	70 Exhaust valve
	78-1702602	78 Exhaust valve
	86-1702605	86 Exhaust valve
	88-1702605	88 Exhaust valve
	92-1702605	92 Exhaust valve
23	1710103	M6 (GB6177-86) Nut
24	1717302	Fuel injector pressure plate (for bosch injector)
	1717302	Fuel injector pressure plate(for Chinese injector)

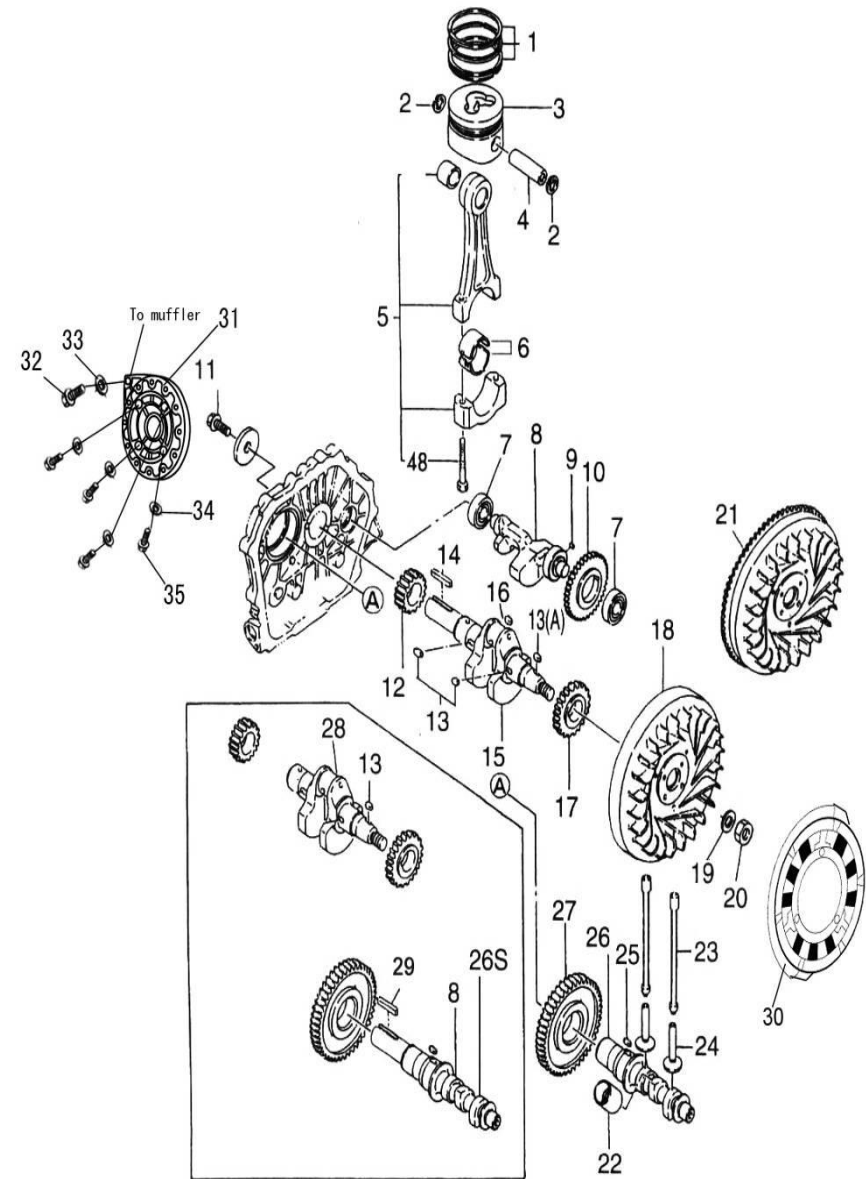
25	1724502	Fuel injector adjusting gasket
26	70-1802126	70-fastened bolt of fuel injector AM6×45
	78-1802226	78-fastened bolt of fuel injector AM6×50
	86/88/92-1802326	86/88/92-fastened bolt of fuel injector AM6×55
27	17141	Breather assembly
28	1711312	O ring 12 x 1.9

Fig 3. Exploded view of Piston / Crank Assembly

1	70-1701403	Piston Ring group (standard)
	70-1701403	Piston Ring group (0.25 more)
	70-1701403	Piston Ring group (0.5 more)
	78-1701402	Piston Ring group (standard)
	78-1701402	Piston Ring group (0.25 more)
	78-1701402	Piston Ring group (0.5 more)
	86-1701404	Piston Ring group (standard)
	86-1701404	Piston Ring group (0.25 more)
	86-1701404	Piston Ring group (0.5 more)
	88-1701404	Piston Ring group (standard)
	88-1701404	Piston Ring group (0.25 more)
	88-1701404	Piston Ring group (0.5 more)
	92-1701404	Piston Ring group
2	70-1701601	70 Retainer clip of Piston pin ϕ 19
	78-1701602	78 Retainer clip of Piston pin ϕ 21
	86/88-1701603	86/88 Retainer clip of Piston pin ϕ 23
3	70-1701200	70 Piston
	78-170202	78 Piston
	86-170204	86 Piston
	88-170204	88 Piston
	92-170204	92 Piston

Fig 3. Exploded view of Piston / Crank Assembly

3	70FS-1803103	70FS-Piston
	78FS-1803203	78FS-Piston
	86FS-1803303	86FS-Piston
	88FS-1803303	86FS-Piston
4	70-1701701	Piston pin
	78-1701702	Piston pin
	86-1701703	Piston pin
	88-1701703	Piston pin
	92-1701703	Piston pin
5	70-1701301	Connecting rod body
	78-1701302	Connecting rod body
	86-1701303	Connecting rod body
	88-1701303	Connecting rod body
	92-1701303	Connecting rod body
6	70-1701501	Connecting rod bush
	78-1701502	Connecting rod bush
	86/88-1701503	Connecting rod bush
	92-1701503	Connecting rod bush
7	70-1710001	70/78-Bearing 202 (GB/T276-94)
	86/88/92-1710000	86/88/92-Bearing 203 (GB/T276-94)
8	70-1706501	70 Balancing Shaft
	78-1706502	78 Balancing Shaft
	86/88-1706503	86/88 Balancing Shaft
	92-1706503	92 Balancing Shaft
9	1710507	Key 5 x 7 (GB1096-2003)
10	70-1707701	70 Balancing Shaft Timing Gear
	78-1707702	78 Balancing Shaft Timing Gear
	86/88/92-1707703	86/88/92 Balancing Shaft Timing Gear
11	1803011	Bolt (for F shaft accompany with diesel engine)

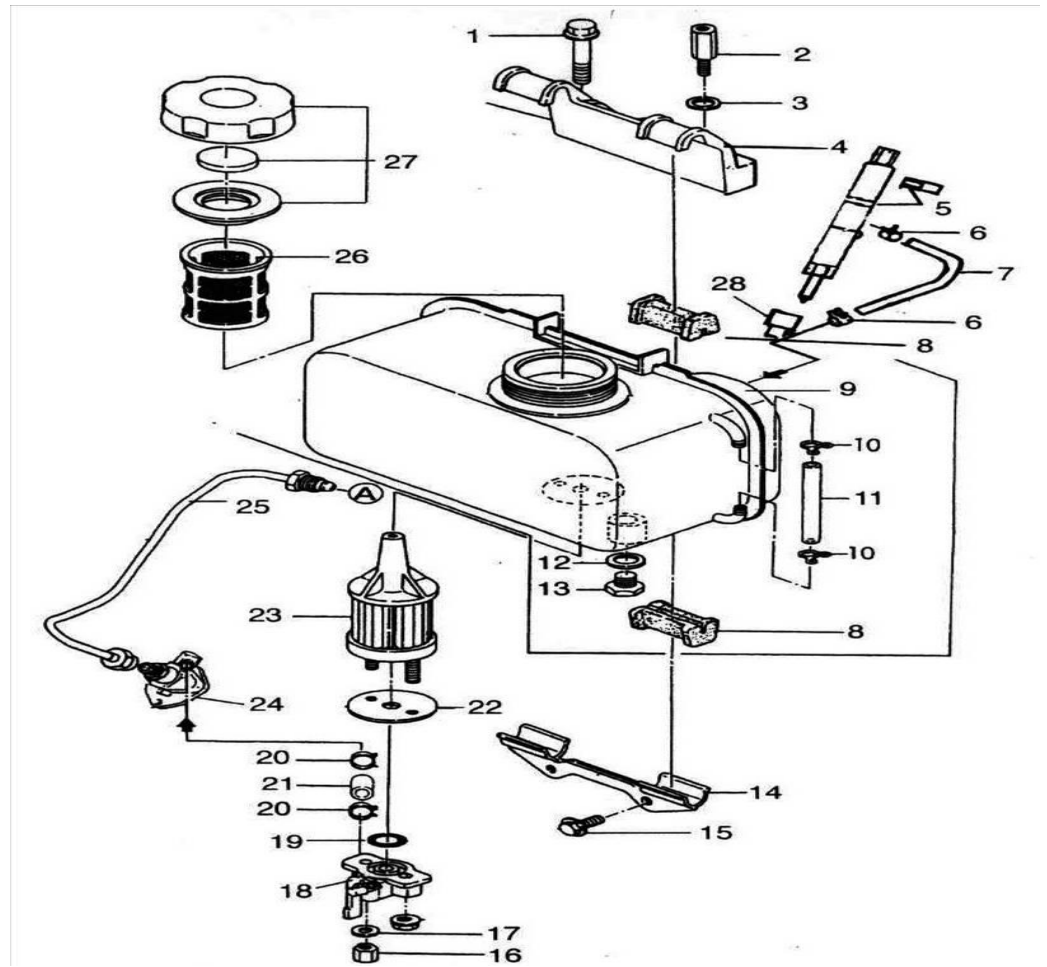


12	70-1700801	Crankshaft timing gear
	78-1700802	Crankshaft timing gear
	86/88-1700803	Crankshaft timing gear
	92-1700803	Crankshaft timing gear
13	1710512	Key 5 x 12 (GB1096-2003)
13A	1710514	Key 5 x 14 (GB1096-2003)
14	70-1710530	70 Key 5 x 48(GB1096-2003)
	78/86/88/92-1710563	78/86/88 Key 6 x 63 (GB1096-2003)
15	70-1700601	70 Crankshaft
	78-1700701	78 Crankshaft
	86-1700708	86 Crankshaft
	88-1700708	88 Crankshaft
	92-1700708	92 Crankshaft
16	1711601	steel ball $\phi 6.25$
17	70-1707801	70 Balancing Shaft Driving Gear
	78-1707802	78 Balancing Shaft Driving Gear
	86/88/92-1707803	86/88/92 Balancing Shaft Driving Gear
18	70-1704400	70 Flywheel
	78-1704404	78 Flywheel
	86-1704409	86 Flywheel
	88/92-1704409	88/92 Flywheel
	70FS-1803118	70FS- Flywheel
	78FS-1803218	78FS- Flywheel
	86/88FS-1803318	86/88FS- Flywheel
19	70/78-17156	70/78 Flywheel nut gasket
	86/88/92-1715601	86/88/92 Flywheel nut gasket
20	70/78-17155	70/78 flywheel Nut
	86/88/92-1715501	86/88/92 flywheel Nut
	70-1704501	70 Flywheel gear ring (for electric starter)

21	78-1704502	78 Flywheel gear ring (for electric starter)
	86/88/92-1704504	86/88/92 Flywheel gear ring (for electric starter)
	70FS-1803121	70FS-Flywheel gear ring (for electric starter)
	78FS-1803221	78FS-Flywheel gear ring (for electric starter)
	86/88FS-1803321	86/88FS-Flywheel gear ring (for electric starter)
22	70/78-1803122	70/78 Sleeve of fuel pump rod
	86/88-1803322	86/88 Sleeve of fuel pump rod
	92-1803322	92 Sleeve of fuel pump rod
23	70-1705101	70 Push rod
	78-1705102	78 Push rod
	86/88-1705103	86/88 Push rod
	92-1705103	92Push rod
24	70/78-17157	70/78 Tappet
	86/88/92-171501	86/88/92 Tappet
25	70/86/88-1710514	Key 5 x 14 (GB1096-2003)
	78-1710504	Key 4 x 12 (GB1096-2003)
26	70-1701001	70 Camshaft
	78-1701002	78 Camshaft
	86/88-1701000	86/88 Camshaft
	92-1701000	92 Camshaft
26S	70FS-1803126	70FS-Camshaft
	78FS-1803226	78FS-Camshaft
	86/88FS-1803326	86/88 FS- Camshaft
27	70-1701101	70 Camshaft timing gear
	78-1701102	78 Camshaft timing gear
	86/88-1701103	86/88 Camshaft timing gear
	92-1701103	92 Camshaft timing gear
28	70FS-1803115	70FS-Crankshaft
	78FS-1803215	78FS-Crankshaft

	86FS-1803315	86FS-Crankshaft
29	78-1710545	Key 8 x 45 (GB1096-2003) camshaft key
Fig 4. Exploded view of fuel tank parts		
1	1710745	Bolt M8 x 45 (GB5787-86)
2	17185	Upper fuel tank bracket fastening bolt
3	1710208	Flat washer 8 (GB97.1-85)
4	70-1705801	70 Upper fuel tank bracket
	78-1705802	78 Upper fuel tank bracket
	86/88-1705803	86/88 Upper fuel tank bracket
5	70/78-1804105	70/78 Injector(china type)
	86/88-1804305	86/88 Injector(china type)
	92-1804305	92 Injector(china type)
	B1804005	Bosch injector
6	17212	Fuel leak-off pipe connecting ϕ 9
7	70-1804106	70 Fuel leak-off Pipe
	78-1804206	78 Fuel leak-off Pipe
	86/88/92-1804306	86/88/92 Fuel leak-off Pipe
8	17184	Shock absorbing pad of fuel tank
9	70-1704201	70 Fuel Tank
	78-1704202	78 Fuel Tank
	86/88/92-1704203	86/88/92 Fuel Tank
10	1804010	Fuel Pipe connecting ϕ 7
11	70-1804111	70 Fuel Pipe
	78-1804211	78 Fuel Pipe
	86/88/92-1804311	86/88/92 Fuel Pipe
12	17151	Fuel drain gasket ϕ 6 (GB6177-86)
13	17152	Fuel drain plug(in the fuel tank)
14	17183	Lower fuel tank bracket
15	1710714	Bolt M6 x 14 (GB5787-96)

Fig 4. Exploded view of fuel tank parts

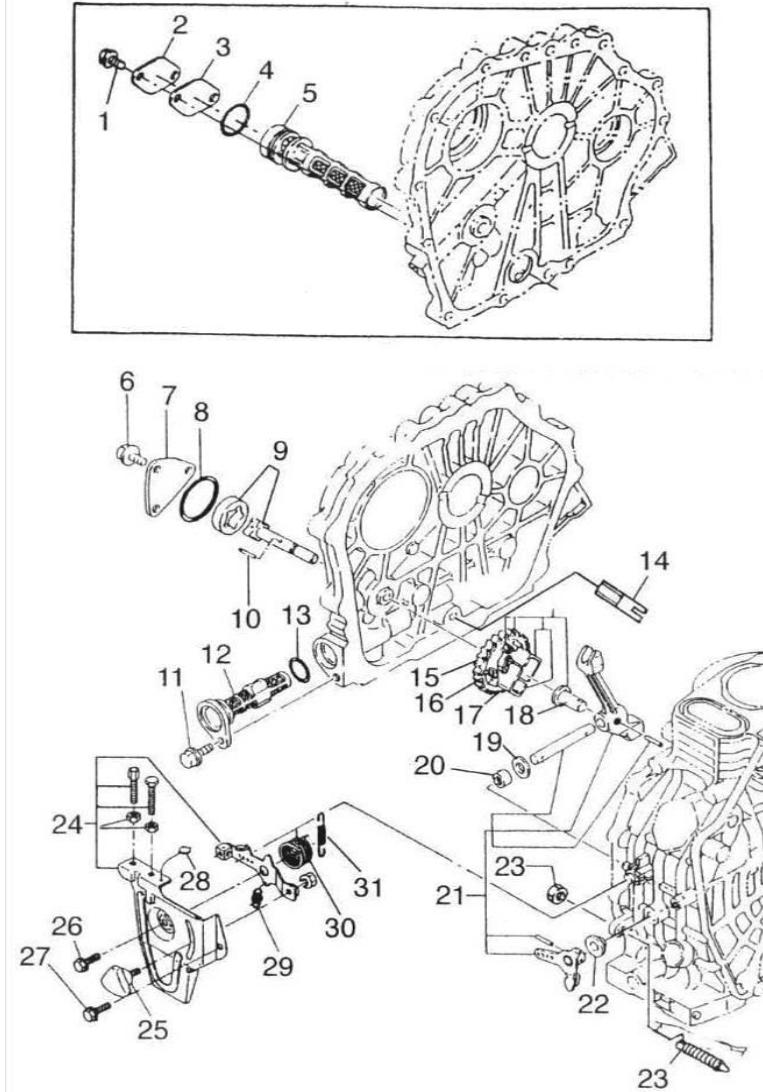


16	1710103	Nut M6 (GB6177-96)
17	1710206	Flat washer φ6 (GB97.1-85)
18	17150	Fuel tank cock assembly
19	17154	Gasket of fuel tank cock
20	1719403	Fuel pipe clampφ13
21	70-1804121	70 Fuel oil pipe
	78-1804221	78 Fuel oil pipe
	86/88/92-1804321	86/88/92 Fuel oil pipe
22	17148	Fuel filter gasket
23	70-1704301	Fuel filter element
	78-1704302	Fuel filter element
	86/88/92-1704303	Fuel filter element
24	70/78-1704702	70/78Fuel injector pump
	70/78-1704702	70/78Fuel injector pump electric valve
	86-1704700	86 Fuel injector pump
	86-1704700	86 Fuel injector pump electric valve
	88-1704700	88 Fuel injector pump
	88-1704700	88 Fuel injector pump electric valve
	92-1704700	92 Fuel injector pump
92-1704700	92 Fuel injector pump electric valve	
25	70-1705601	High pressure fuel pipe (bosch injector)
	70-1705601	High pressure fuel pipe (Chinese injector)
	78-1705602	High pressure fuel pipe(bosch injector)
	78-1705602	High pressure fuel pipe(Chinese injector)
	86/88/92-1705603	86/88/92 High pressure fuel pipe(bosch injector)
	86/88-1705603	High pressure fuel pipe(Chinese injector)
26	17146	Fuel oil filter
27	17153	Fuel tank cap assembly
28	1705302	70/78-Fuel injector cap(china type only)

Fig 5 Lubrication and speed control system

6	1710712	Heterotypic Bolt M6 x 12 (GB16674-96)
7	17022	Oil pump cover
8	1711334	O ring 34.5 x 1.8 (GB3452.1-82)
9	70/78-17135	70/78 Oil Pump
	86/88/92-1713501	86/88 Oil Pump
10	1711103	pin 3 x 16 (GB119-2000)
	1710714	heterotypic Bolt M6 x 14 (GB5789-86)
12	1702103	Oil filter cleaning element
13	1711316	Seal ring 25*2.4
14	17080	Oil Guide
15	70-1702301	Oil pump driving gear
	78/86/88/92-1702302	Oil pump driving gear
16	17132	Fly block pin
17	17131	Fly block
18	17234	Governor fork tappet
19	17125	Lever shaft gasket
20	1710009	Bearing 7941/8 (GB290-64)
21	70-1700501	70 Fork lever assembly
	78-1700502	78 Fork lever assembly
	86/88/92-1700503	86/88/92 Fork lever assembly
22	17124	Washer
23	17126	Fuel controller
	281034	Fuel controller
24	17164	Handle bracket
25	17167	Speed-control lever
26	1710714	Heterotypic Bolt M6 x 14 (GB5787-86)
27	1710714	Heterotypic Bolt M6 x 14 (GB5787-86)

Fig 5 Lubrication and speed control system

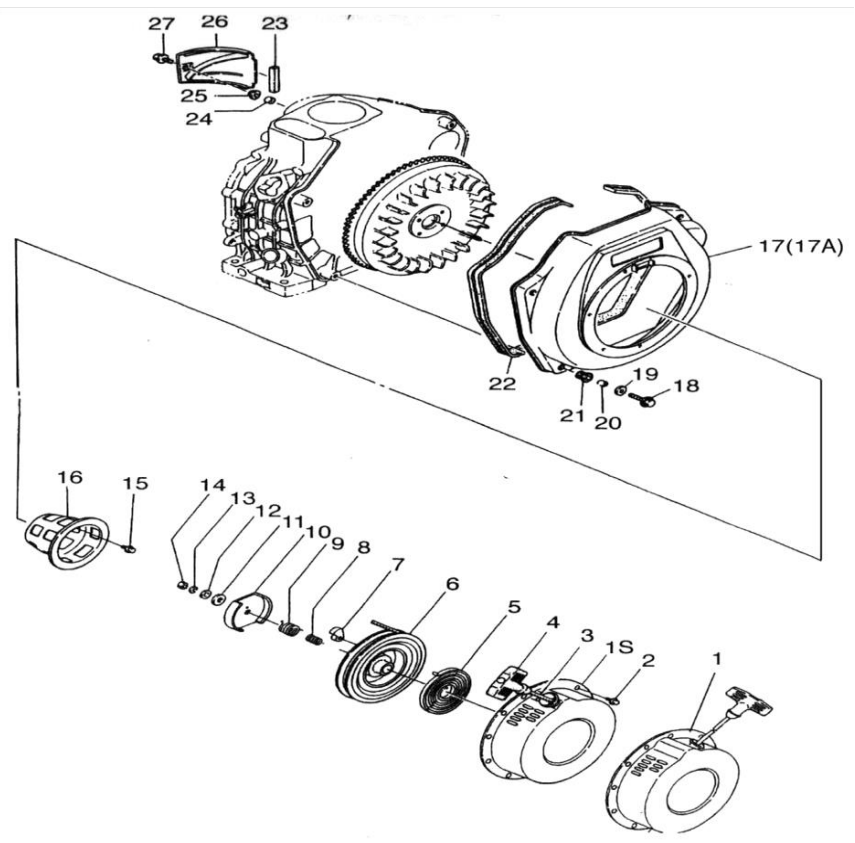


28		including in the handel assembly,could not supply separately
29	17162	Return spring II
30	17161	Return spring I
31	70-17160	Speed-control spring
	78-17160	Speed-control spring
	86/88/92-1716001	Speed-control spring

Fig 6. Exploded view of cooling and recoil starting system.

	ASSY014	70recoil start assembly
	ASSY015	78recoil start assembly
	ASSY016	86/88/92 recoil start assembly
1	70-1703401	70 Recoil case assembly
	78-1703402	78 Recoil case assembly
	86/88/92-1703404	86/88 Recoil case assembly
1S	70FS-1806101	170FS case assembly
	78FS-1806201	178FS case assembly
	86/88FS-1806301	186FS case assembly
2	1710708	Bolt M6 x 8 (GB5789-1996)
3	70-1703501	70 Recoil starter rope
	78-1703502	78 Recoil starter rope
	86/88/92-1703503	86/88/92 Recoil starter rope
4	70-1703801	70 Recoil starter handle
	78/86/88/92-1703802	78/86/88 Recoil starter handle
5	70/78-1703301	70/78 Flat spiracle spring
	86/88/92-1703303	86/88/92 Flat spiracle spring
6	70-1703201	70 Recoil reel
	78-1703202	78 Recoil reel
	86/88/92-1703203	86/88/92 Recoil reel
-	70-1704003	70 Starting claw

Fig 6. Exploded view of cooling and recoil starting system.

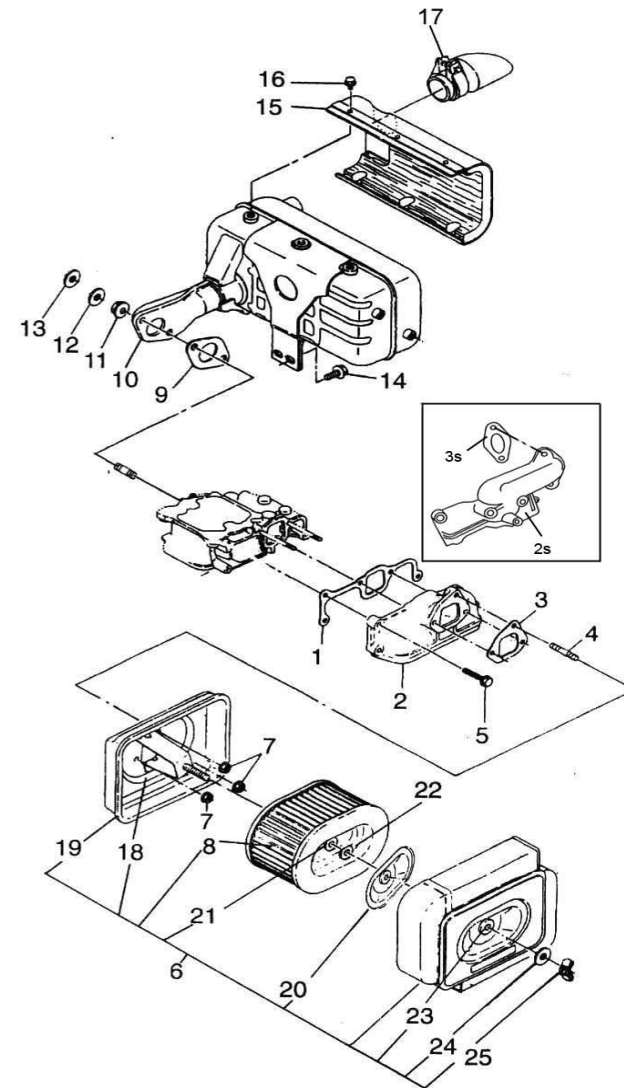


7	78/86/88/92-1704005	78/86/88/92 Starting claw
8	70-17218	70 Helical spring
	78/86/88-1721801	78/86/88 Helical spring
9	70-17219	70 Torsional spring
	78/86/88-1721901	78/86/88 Torsional spring
10	70-1704004	70 Starting claw plate
	78/86/88/92-1704006	78/86/88/92 Starting claw plate
11	70-17039	70 Friction plate
	78/86/88/92-1703902	78/86/88/92 Friction plate
12	70-1703903	Friction plate gasket
	78/86/88-1703803	Friction plate gasket
13	1710306	Spring washer
14	1710106	Nut M6 (GB6170-86)
15	1710712	Bolt M6 x 12 (GB6170-86)
16	70-1705701	70 Starter
	78-1705702	78 Starter
	86-1705703	86 Starter
	88/92-1705703	88/92 Starter
17	70-1704101	70 Wind leading case welded
	78-1704102	78 Wind leading case welded
	86-1704105	86 Wind leading case welded
	88/92-1704105	88/92 Wind leading case welded
17S	70FS-1806117	70FS Wind leading case welded
	78FS-1806217	78FS Wind leading case welded
	86/88FS-1806317	86FS Wind leading case welded
18	170622	Bolt M6 x 22 (GB5783-2000)
19	1710207	washer M6 (GB90-85)

20	17145	Collar of Wind leading case welded
21	17143	Shock absorber
22	70-1806122	70 Shock pads
	78-1806222	78 Shock pads
	86-1806322	86 Shock pads
	88/92-1806322	88/92 Shock pads
23	78/86/88/92-17127	78/86/88/92 Shock isolation piece of wind leading plate
24	78/86/88/92-17129	78/86/88/92 Collar of Wind leading plate
25	78/86/88/92-17128	78/86/88/92 Pad
26	70-1700401	70 Wind leading plate
	78-1700402	78 Wind leading plate
	86/88-1700403	86/88 Wind leading plate
	92-1700403	92 Wind leading plate
27	70-1710712	70 Bolt M6 x 12 (shaped piece)
	78/86/88/92-1710718	78/86/88/92 Bolt M6 x 18 (shaped piece)

Fig 6. Please refer to Fig 7 for a complete illustration.

1	70-1703101	70 Intake pipe gasket
	78-1703102	78 Intake pipe gasket
	86/88-1703103	86/88 Intake pipe gasket
	92-1703103	92 Intake pipe gasket
2	70-1703001	70 Intake pipe
	78-1703002	78 Intake pipe
	86/88-1703003	86/88 Intake pipe
	92-1703003	92 Intake pipe
3	70/78-17175	70/78 Air cleaner gasket
	86/88-1717501	86/88 Air cleaner gasket
	92-1717501	92 Air cleaner gasket
4	70/78-1807104	70/78-fasten bolt for air cleaner



4	86/88/92-1807304	86/88/92-fasten bolt for air cleaner
5	70/78-1807105	70/78 -Heterotypic bolt M6 x 25 (GB5789-96)
	86/88-1807305	86/88-Heterotypic bolt M6 x 25 (GB5789-96)
6	70/78-17174	70/78 Air filter assembly
	86/88-1717401	86/88 Air filter assembly
	92-1717401	92 Air filter assembly
7	1710103	Heterotypic Nut M6 (GB6177-86)
8	70/78-1717602	70/78 Air filter element
	86/88-1717601	86/88 Air filter element
	92-1717601	92 Air filter element
9	70/78-17186	70/78 Muffler gasket
	86/88-1718601	86/88 Muffler gasket
	92-1718601	92 Muffler gasket
10	70-1705401	70 Muffler assembly
	78-1705402	78 Muffler assembly
	86/88-1705403	86/88 Muffler assembly
	92-1705403	92 Muffler assembly
11	1710208	Flat washerφ8
	92-1710208	Flat washerφ10
12	1710308	Spring washerφ8
	92-1710308	Spring washerφ10
13	1710108	Nut M8 (GB6170-86)
	92-1710108	Nut M10 (GB6170-86)
14	1710714	70/78 -heterotypic Bolt M8x14 (GB5789-96)
	1804014	86/88/92-heterotypic Bolt M8x16 (GB5789-86)
15	70-1705501	70 Muffler screen cover
	78-1705502	78 Muffler screen cover
	86/88-1705503	86/88 Muffler screen cover

	92-1705503	92 Muffler screen cover
16	1710708	Bolt M6 x 8 (GB5789-86)
17	70/78-1705404	70/78 Muffler tail pipe
	86/88-1705406	86/88 Muffler tail pipe
18	70/78-1719	70/78 Sealing ring II of shock proof
	86/88/92-1718002	86/88/92 Sealing ring II of shock proof
19	70/78-17180	70/78 Bottom case assembly of Air Cleaner
	86/88-1718003	86/88 Bottom case assembly of Air Cleaner
	92-1718003	92 Bottom case assembly of Air Cleaner
20	70/78-17178	70/78 Sealing ring I of shock proof
	86/88/92-1718001	86/88/92 Sealing ring I of shock proof
21	70/78-17181	70/78 Air filter shock absorber
	86/88/92-1718101	86/88/92 Air filter shock absorber
22	70/78-1720103	70/78-Heterotypic nut M6(GB/T6170)
	86/88/92-1710114	86/88/92 -Heterotypic nut M8(GB/T6170)
24	17177	70/78-Washer
	17177	86/88/92-Washer
25	70/78-1710107	butterfly nut M6
	86/88/92-1710109	butterfly nut M8