

# 1188862

## MASONRY 750 PLUS 230V 50HZ

3236270\_1188862\_R03W - R03W (7/2/2022)



### Access Platform Division

Via San Francesco d'Assisi, 8 - 46020 Pegognaga (Mantova) - ITALY Tel. +39 0376  
554011 - Fax +39 0376 559855

[www.imergroup.com](http://www.imergroup.com)

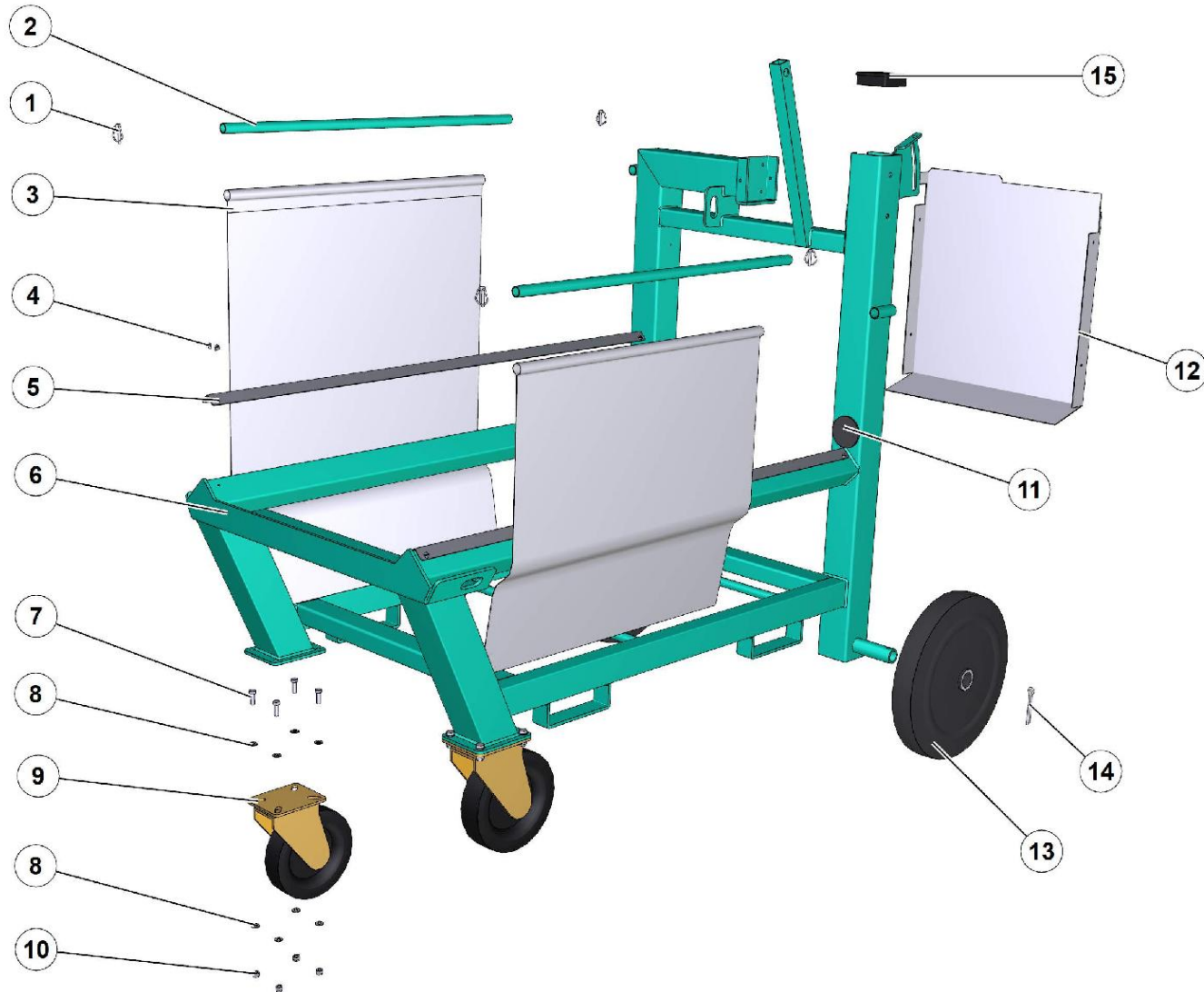
### Building Equipment Division

Via della Meccanica, 39 (Zona Industriale Sentino) - 53040 Rapolano Terme  
(Siena) - ITALY - Tel. +39 0577 97341 - Fax +39 0577 704077

[www.imergroup.com](http://www.imergroup.com)

[www.imerglobalcustomercare.com](http://www.imerglobalcustomercare.com)

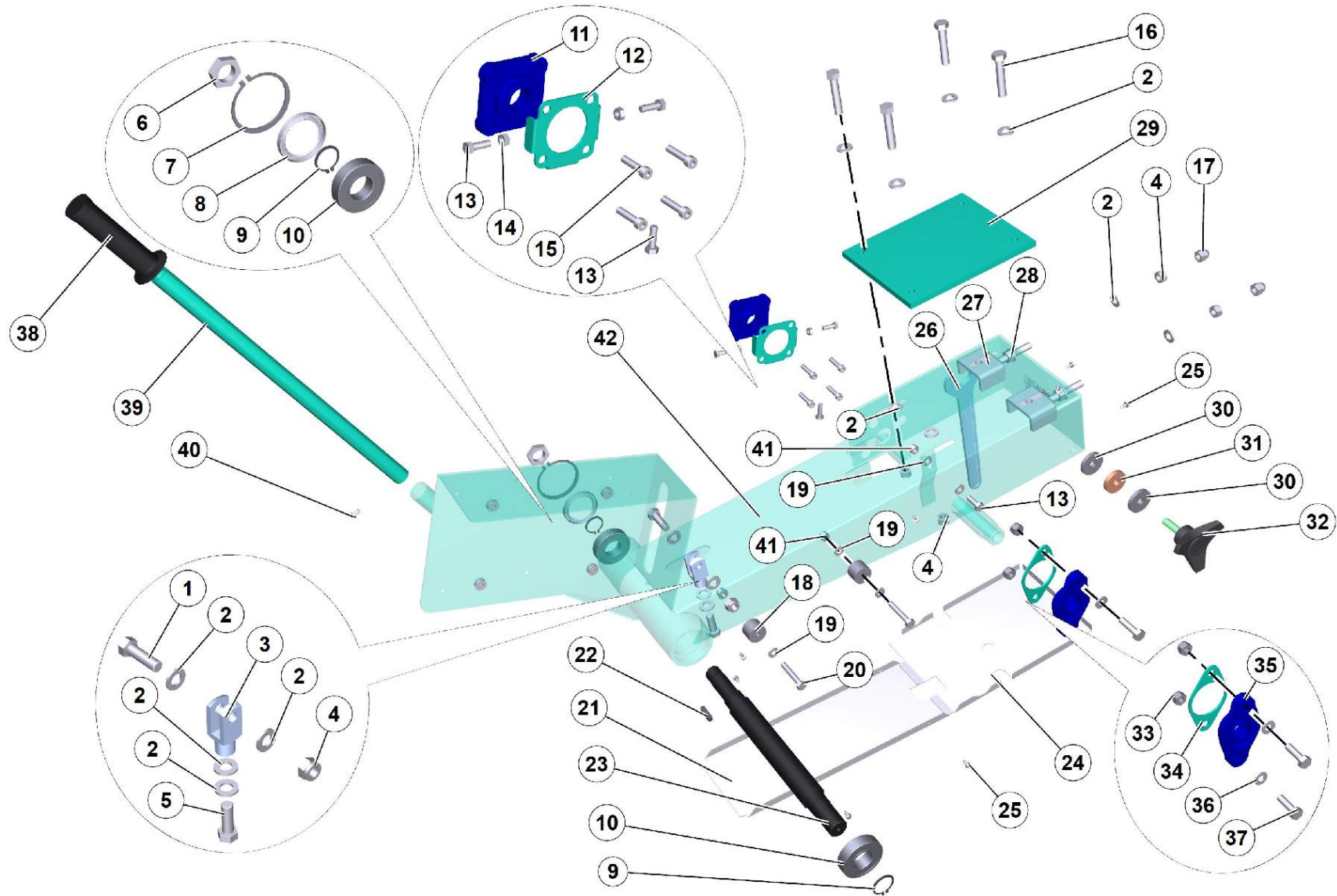
FRAME PART 1





N.	CODE	DESCRIPTION	UM	QTY
1	3224628	SPLIT PIN	PZ	4.0
2	3228543	SUPPORT	PZ	2.0
3	3228472	SPRAY GUARD	PZ	1.0
4	2222430	SCREW AUTO.TC 7971 4,8X9,5	PZ	8.0
5	3224705	GUIDES	PZ	2.0
6	3236413	PAINTED FRAME		1.0
7	2222076	SCREW/SAW	PZ	8.0
8	2224140	ROLLER 6593	PZ	16.0
9	3225997	WHEEL /MAS.750	PZ	2.0
10	2223923	LOCK NUT	PZ	4.0
11	3210646	ISOTEC/SAW	PZ	2.0
12	3225043	REAR PROTECTION MS.700	PZ	1.0
13	2211200	WHEELS	PZ	2.0
14	2226503	SPLIT PIN	PZ	2.0
15	3224814	CAP GPN260R 80803 80X80X3 C	PZ	1.0

FRAME PART 2



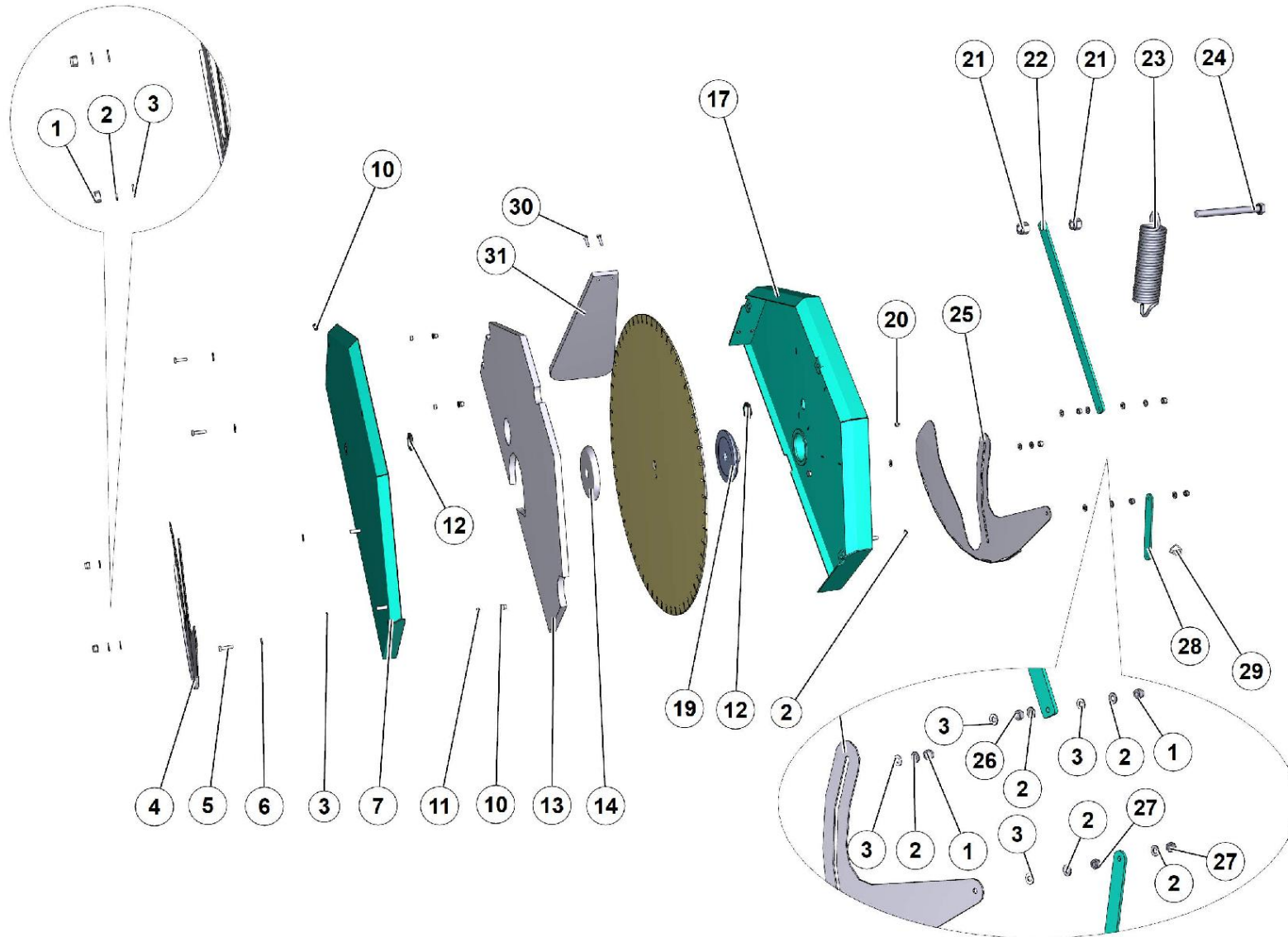


N.	CODE	DESCRIPTION	UM	QTY
1	2222036	BOLT	PZ	1.0
2	3211038	WASHER	PZ	14.0
3	2213840	FORK	PZ	1.0
4	2223921	NUT	PZ	7.0
5	2222007	BOLT	PZ	1.0
6	3226028	NUT	PZ	1.0
7	3226015	STOP RING 7435 E/75	PZ	1.0
8	1207088	OIL SEAL 45X62X8	PZ	1.0
9	2227240	STOP RING	PZ	2.0
10	3226506	BEARING 6206 2RS1-CM	PZ	2.0
11	3225994	SUPPORT	PZ	1.0
12	3231335	SQUARE SUPPORT PLATE MS.750 PAINTED	PZ	1.0
13	2222076	SCREW/SAW	PZ	3.0
14	2223570	NUT	PZ	2.0
15	2222530	SCREW	PZ	4.0
16	2222084		PZ	4.0
17	3227133	NUT	PZ	2.0
18	3210411	SPACER	PZ	2.0
19	2224140	ROLLER 6593	PZ	6.0
20	2222176	SCREW	PZ	2.0
21	3226003	CARTER	PZ	1.0



N.	CODE	DESCRIPTION	UM	QTY
22	2229400	KEY	PZ	1.0
23	3236651	SHAFT TRANSMISSION DISC MASONRY 750P NIT	PZ	1.0
24	3226004	CARTER	PZ	1.0
25	2222420	SCREW	PZ	6.0
26	2241574	SPANNER	PZ	1.0
27	3231301	DRAFT PLATE MOTOR MS.750 PAINTED	PZ	2.0
28	2223700	NUT/MN	PZ	2.0
29	3236216	PLATE		1.0
30	3225956	SPACER BRACKET MS.700	PZ	2.0
31	3233916	FERODO DISC T/L 401 D.40X12,5X8	PZ	1.0
32	3231011	THREE-ARM KNOB M12X40	PZ	1.0
33	2223920	SELF-LOCKING NUT	PZ	2.0
34	3231336	OVAL SUPPORT PLATE MS.750 PAINTED	PZ	1.0
35	3225993	SUPPORT	PZ	1.0
36	2224340	ROLLER/MORTAR PUMP	PZ	2.0
37	2222073	SCREW/MN	PZ	2.0
38	2288887	HANDLE	PZ	1.0
39	3226001	HANDLE	PZ	1.0
40	3203921	SCREW	PZ	1.0
41	2223923	LOCK NUT	PZ	3.0
42	3233950	MS.750 N PAINTED HEAD GROUP	PZ	1.0

# CUTTING HEAD



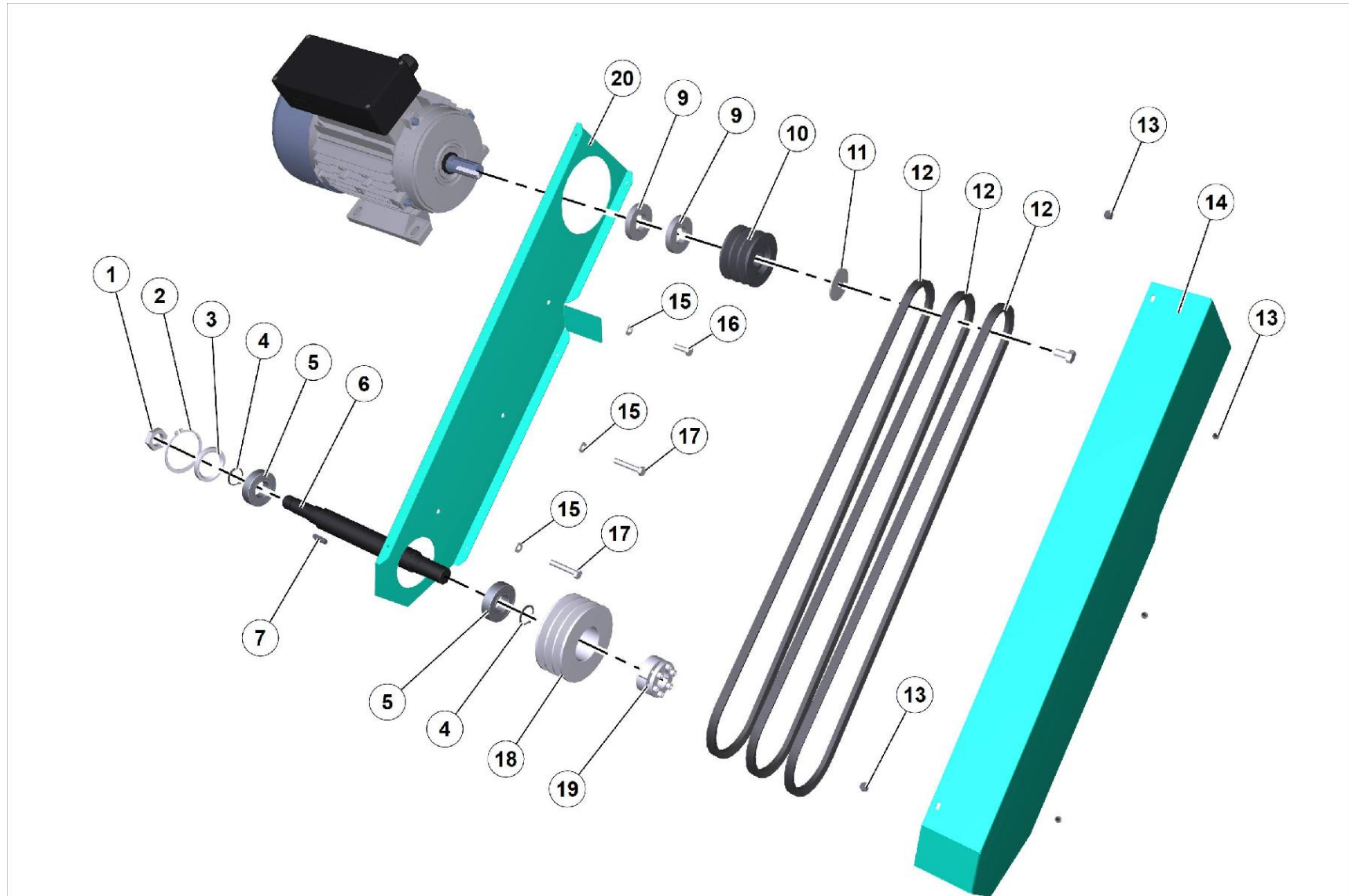


N.	CODE	DESCRIPTION	UM	QTY
1	2223923	LOCK NUT	PZ	4.0
2	2224140	ROLLER 6593	PZ	8.0
3	3210576	WASHER	PZ	8.0
4	1169275	Guard DISK MASONRY 750		1.0
5	2222010	SCREW	PZ	3.0
6	2224531	WASHER	PZ	3.0
7	3237367			1.0
10	3231185	M6 THREADED INSERT HEX SEAT	PZ	3.0
11	3211470	NUT	PZ	3.0
12	1283984	NUT	PZ	2.0
13	3236657	PANEL		1.0
14	3231340	MS.750 EXTERNAL FLANGE D.135 Z	PZ	1.0
17	3237366		PZ	1.0
19	3231339	MS.750 INTERNAL FLANGE D.135 COMPLETE	PZ	1.0
20	2230550	GREASER/MN	PZ	1.0
21	3201033	NUT/MN	PZ	2.0
22	3225548	BAR	PZ	1.0
23	3225996	SPRING	PZ	1.0
24	3226040	SCREW TE 8.8 5737 M18X200 Z	PZ	1.0
25	1169275	Guard DISK MASONRY 750		1.0
26	2223570	NUT	PZ	1.0



N.	CODE	DESCRIPTION	UM	QTY
27	3210623	NUT	PZ	2.0
28	3226039	TROLLEY STOP MS.700 PAINTED	PZ	1.0
29	3224628	SPLIT PIN	PZ	1.0
30	2222022	SCREW	PZ	2.0
31	3233988	MS 750 SPLASH GUARD N	PZ	1.0

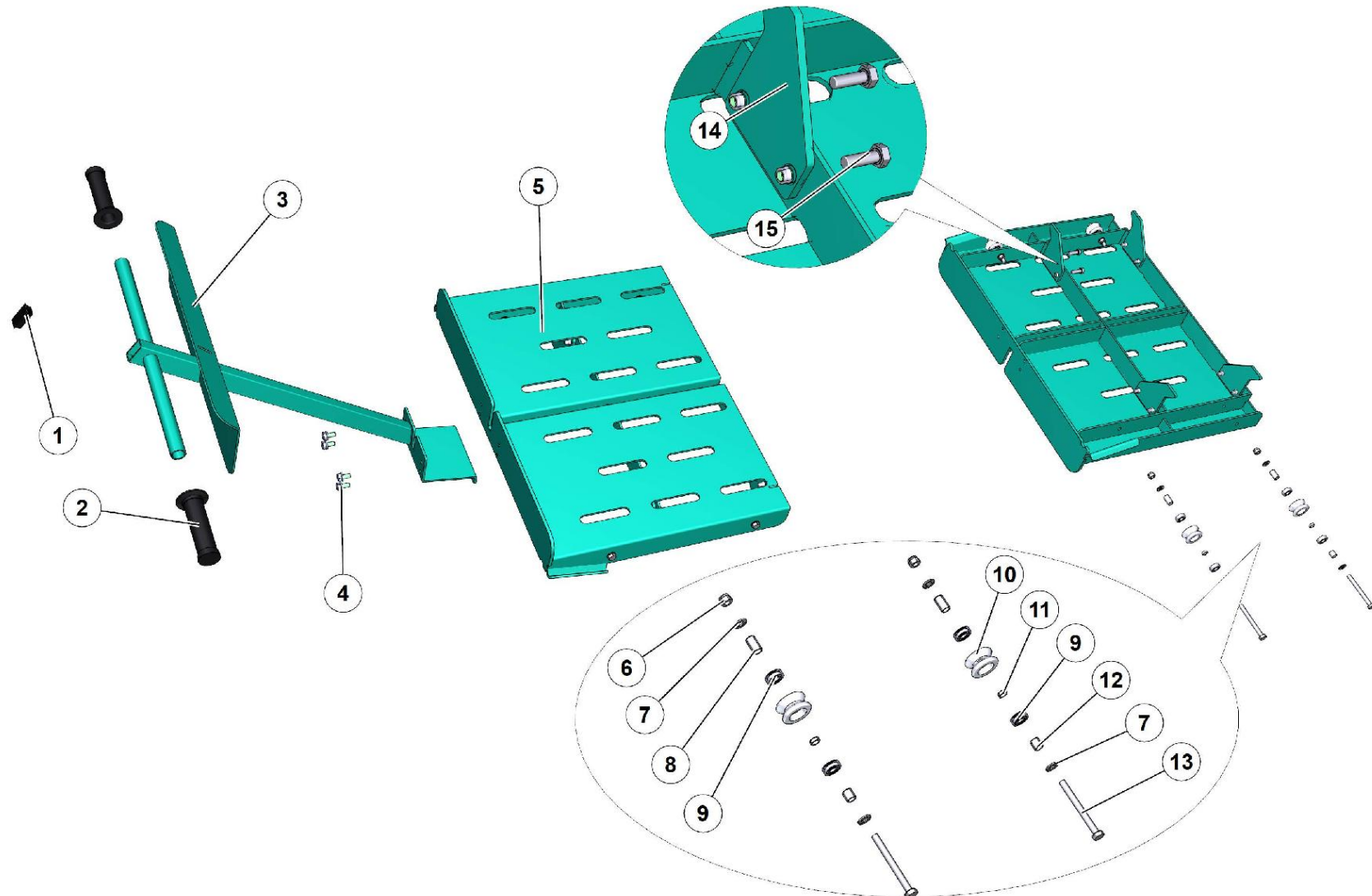
TRANSMISSION





N.	CODE	DESCRIPTION	UM	QTY
1	3226028	NUT	PZ	1.0
2	3226015	STOP RING 7435 E/75	PZ	1.0
3	1207088	OIL SEAL 45X62X8	PZ	1.0
4	2227240	STOP RING	PZ	2.0
5	3226506	BEARING 6206 2RS1-CM	PZ	2.0
6	3236651	SHAFT TRANSMISSION DISC MASONRY 750P NIT	PZ	1.0
7	2229400	KEY	PZ	1.0
9	3236199	SPACER	PZ	2.0
10	3236208	PULLEY	PZ	1.0
11	1224113	WASHER	PZ	1.0
12	3236210	BELT FTD SPA 1582 - CSXPA1582	PZ	3.0
13	2222420	SCREW	PZ	5.0
14	3236954	CARTER PULLEY EXT. MS.750 '19 PAINTED	PZ	1.0
15	2224140	ROLLER 6593	PZ	3.0
16	2222076	SCREW/SAW	PZ	1.0
17	2222176	SCREW	PZ	2.0
18	3236209	PULLEY 3 SPA DP. 118 MRY 750	PZ	1.0
19	3236650	CAL 6 F28/55 shrink disk	PZ	1.0
20	3236956	CARTER PULLEY INT. MS.750 '19 PAINTED	PZ	1.0

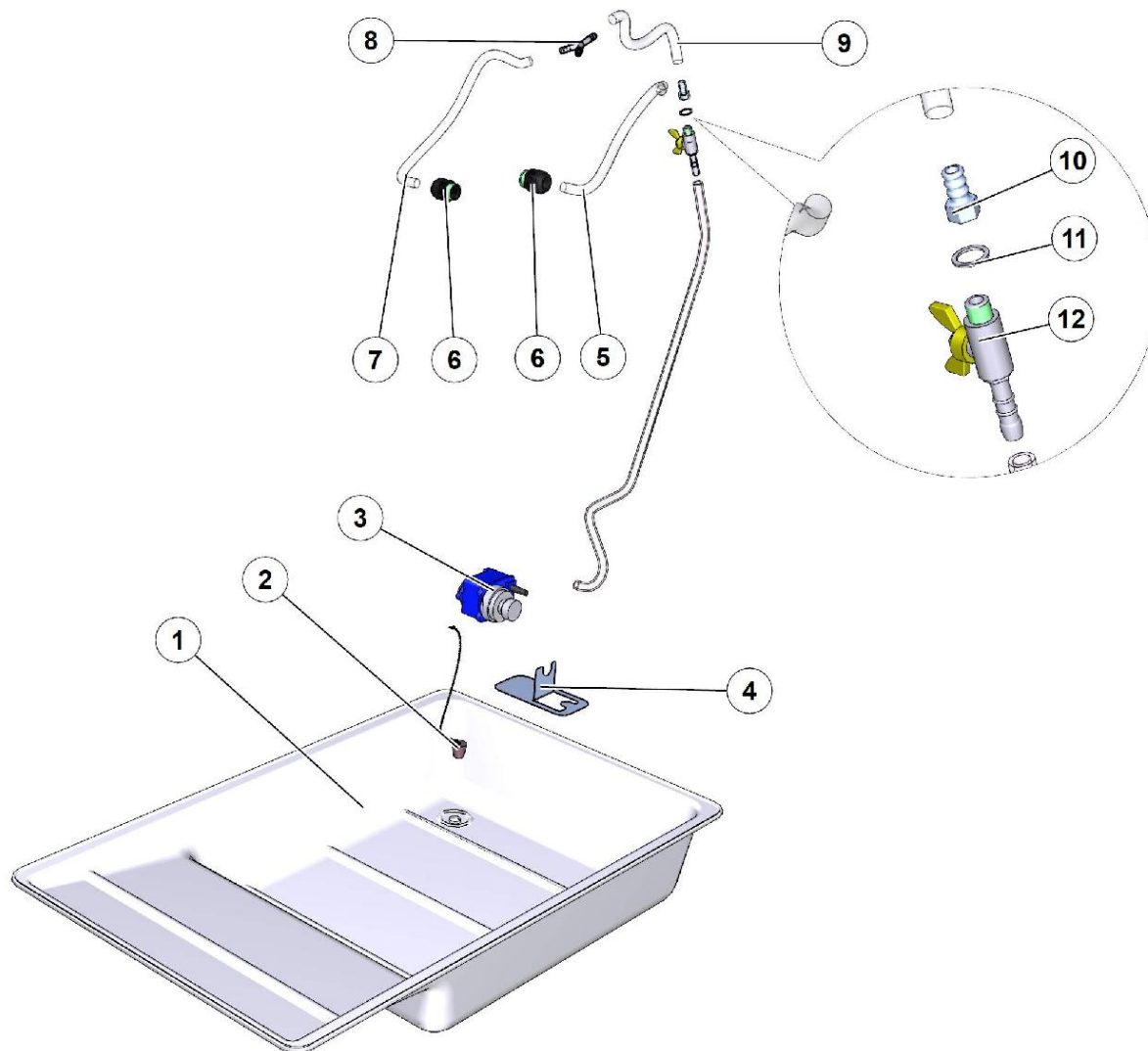
CARRIAGE





N.	CODE	DESCRIPTION	UM	QTY
1	3223713	PLUG	PZ	1.0
2	2288887	HANDLE	PZ	2.0
3	3237371	PAINTED TROLLEY HANDLE MS.700	PZ	1.0
4	3227870	SCREW TRILOB. TEFR 8X16 Z	PZ	4.0
5	3234187	TROLLEY KIT + MASONRY 750 PLATES	PZ	1.0
6	2223923	LOCK NUT	PZ	4.0
7	2224140	ROLLER 6593	PZ	8.0
8	3224566	SPACER	PZ	4.0
9	3204945	BEARING	PZ	8.0
10	3236244	WHEEL MS 750 ALUMINUM	PZ	4.0
11	3207393	SPACER	PZ	4.0
12	3224680	SPACER	PZ	4.0
13	2222110	SCREW	PZ	4.0
14	3236213	ANTI-TIPPING TROLLEY MS.750 RIGHT	PZ	8.0
15	2222076	SCREW/SAW	PZ	8.0

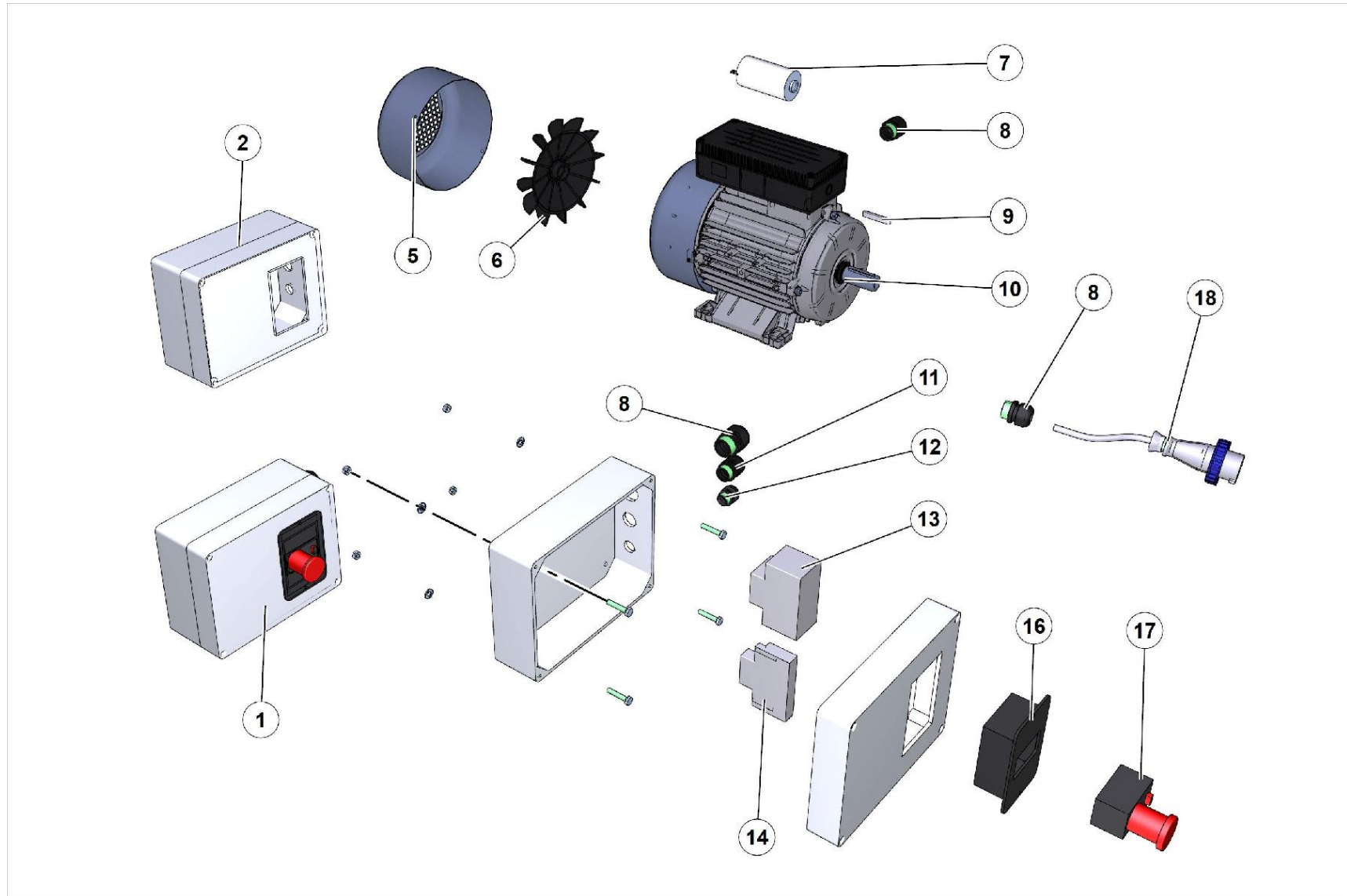
WATER PLANT





N.	CODE	DESCRIPTION	UM	QTY
1	3225642	WATER TRAY MS.700	PZ	1.0
2	3230641	COMPLETE CONICAL TANK CAP COMBI 250	PZ	1.0
3	3208726	Water pump S3 230 V 50/60 Hz	PZ	1.0
4	3236243	SUPPORT MS 750 PUMP	PZ	1.0
5	2292365	LINE/SAW	M	1.0
6	3201503	CABLE CLAMP	PZ	2.0
7	2292365	LINE/SAW	M	1.0
8	2292355	Y-CONNECTOR	PZ	1.0
9	2292356	TUBE	M	1.0
10	2226778	HOSE JOINT/SAW	PZ	1.0
11	2208820	WASHER	PZ	1.0
12	2218075	TAP	PZ	1.0

# ELECTRIC MOTOR AND PANEL





N.	CODE	DESCRIPTION	UM	QTY
1	3230331	ELECTRIC CONTROL PANEL MS.700/750 230V/5	PZ	1.0
2	3231665	ELECTRIC CONTROL PANEL BOX MS.750 230V	PZ	1.0
5	3236175	FAN COVER MEC112 4 HOLES GALVANIZED	PZ	1.0
6	3236176	FAN COVER/CONC.MIXER		1.0
7	3210923	CAPACITOR/CONC.MIXER	PZ	1.0
8	3201503	CABLE CLAMP	PZ	3.0
9	2229340	KEY	PZ	1.0
10	3234571	MOTOR KW2,2 220-240V/50HZ TYPE 1-M112 L4	PZ	1.0
11	3201442	CABLE CLAMP/SAW	PZ	1.0
12	3201217	CABLE CLAMP	PZ	1.0
13	3236263	SAFETY SWITCH 13-18A	PZ	1.0
14	3207923	COIL	PZ	1.0
16	3236265	BUILT-IN CONTAINER FOR MOTOR PROTECTION	PZ	1.0
17	3236264	IP65 STOP BUTTON	PZ	1.0
18	3203504	PIN	PZ	1.0



**Access Platform Division**

Via San Francesco d'Assisi, 8 - 46020 Pegognaga (Mantova) - ITALY Tel. +39 0376  
554011 - Fax +39 0376 559855

[www.imergroup.com](http://www.imergroup.com)

**Building Equipment Division**

Via della Meccanica, 39 (Zona Industriale Sentino) - 53040 Rapolano Terme  
(Siena) - ITALY - Tel. +39 0577 97341 - Fax +39 0577 704077

[www.imergroup.com](http://www.imergroup.com)