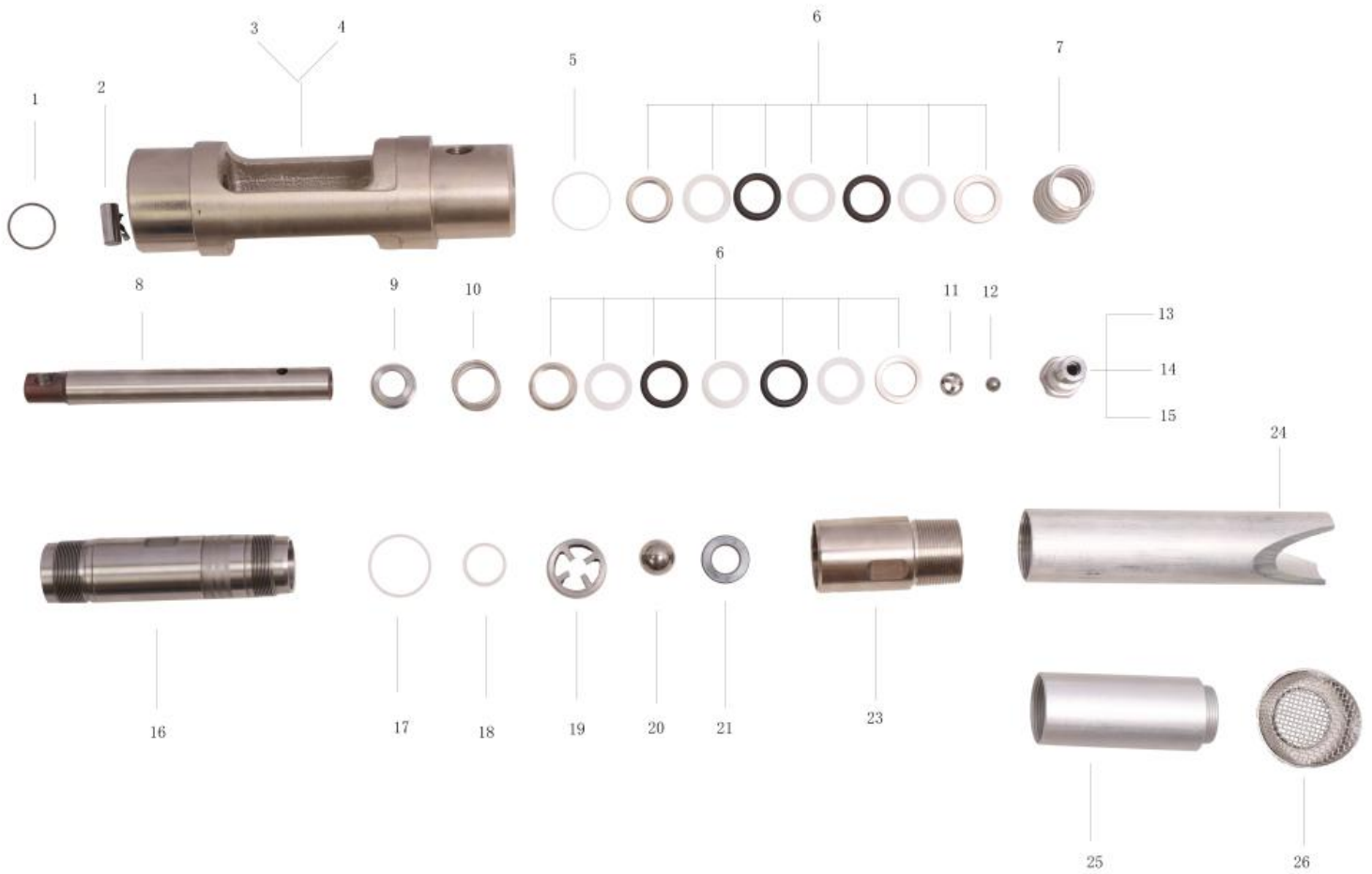


PAZ-9600(E) PAZ-9800(E) hydraulic motor

No.	PAZ-9600(E)	PAZ-9800(E)	Description	Qty	Unit Price
1	X96101	X98101	Cylinder head plug	1	
2	X96102	X98102	O-ring	1	
3	X96103	X98103	Flex lock nut	1	
4	X96104	X98104	Trip retainer	1	
5	X96105	X98105	Trip spring	1	
6	X96106	X98106	Ball	1	
7	X96107	X98107	Cylinder head	1	
8	X96108	X98108	O-ring	2	
9	X96109	X98109	Spool / sleeve set	2	
10	X96110	X98110	O-ring	3	
11	X96111	X98111	Sleeve retainer	1	
12	X96112	X98112	Retainer ring	1	
13	X96113	X98113	Piston retainer screw	1	
14	X96114	X98114	Piston	1	
15	X96115	X98115	O-ring	1	

16	X96116	X98116	Piston seal	1	
17	X96117	X98117	Valve rod assembly	1	
18	X96118	X98118	Piston rod	1	
19	X96119	X98119	Elbow	1	
20	X96120	X98120	Elbow, 90°	1	
21	X96121	X98121	Motor tube	1	
22	X96122	X98122	Tee	1	
23	X96123	X98123	Ball valve	1	
24	X96124	X98124	Lock ring	1	
25	X96125	X98125	Cylinder	1	
26	X96126	X98126	Rod seal	1	
27	X96127	X98127	Motor / pump block	1	

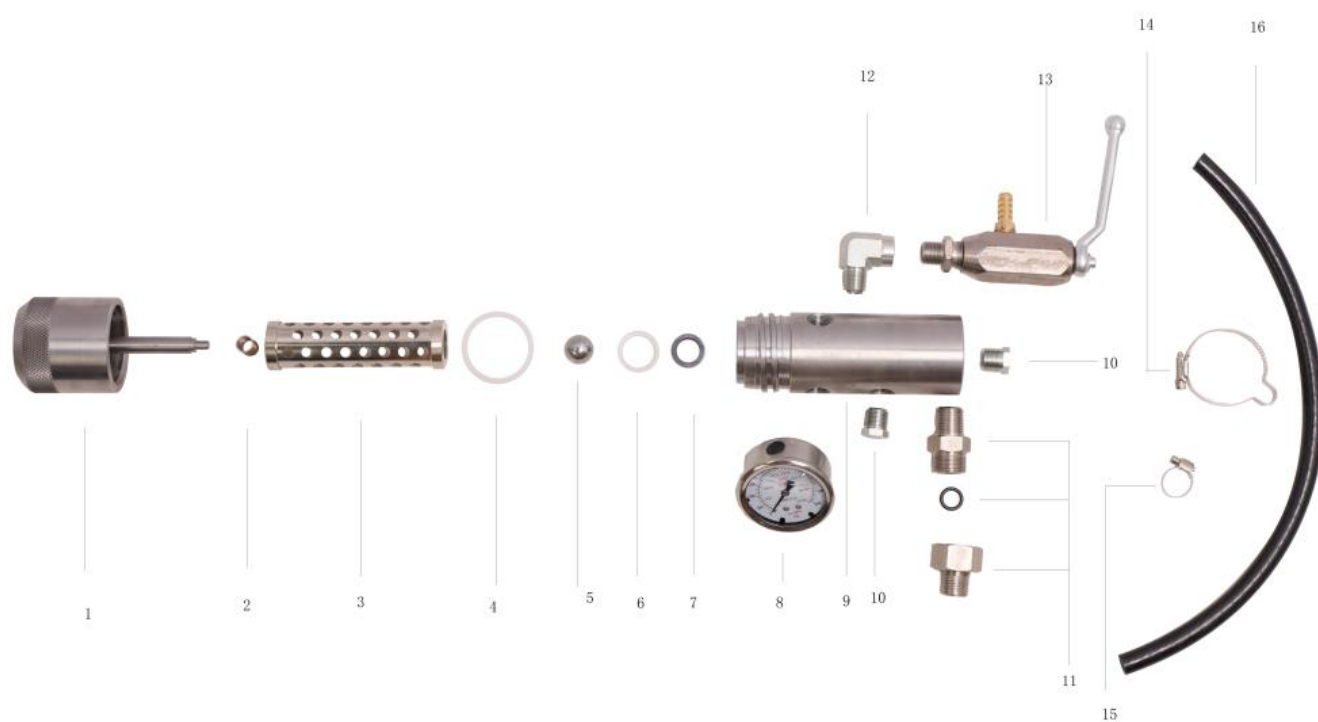
PAZ-9600(E) PAZ-9800(E) fluid pump



No.	PAZ-9600(E)	PAZ-9800(E)	Description	Qty	Unit Price
1	X96201	X98201	Retaining ring	1	
2	X96202	X98202	Connecting pin	1	
3	X96203	X98203	Cover	1	
4	X96204	X98204	Screw	1	
5	X96205	X98205	O-ring	1	
6	X96206	X98206	Packing set	7	
7	X96207	X98207	Upper packing spring	1	
8	X96208	X98208	Displacement rod	1	
9	X96209	X98209	Spring retainer	1	
10	X96210	X98210	Lower packing spring	1	
11	X96211	X98211	Outlet valve cage	1	
12	X96212	X98212	Outlet valve ball	1	
13	X96213	X98213	Outlet valve seat	1	

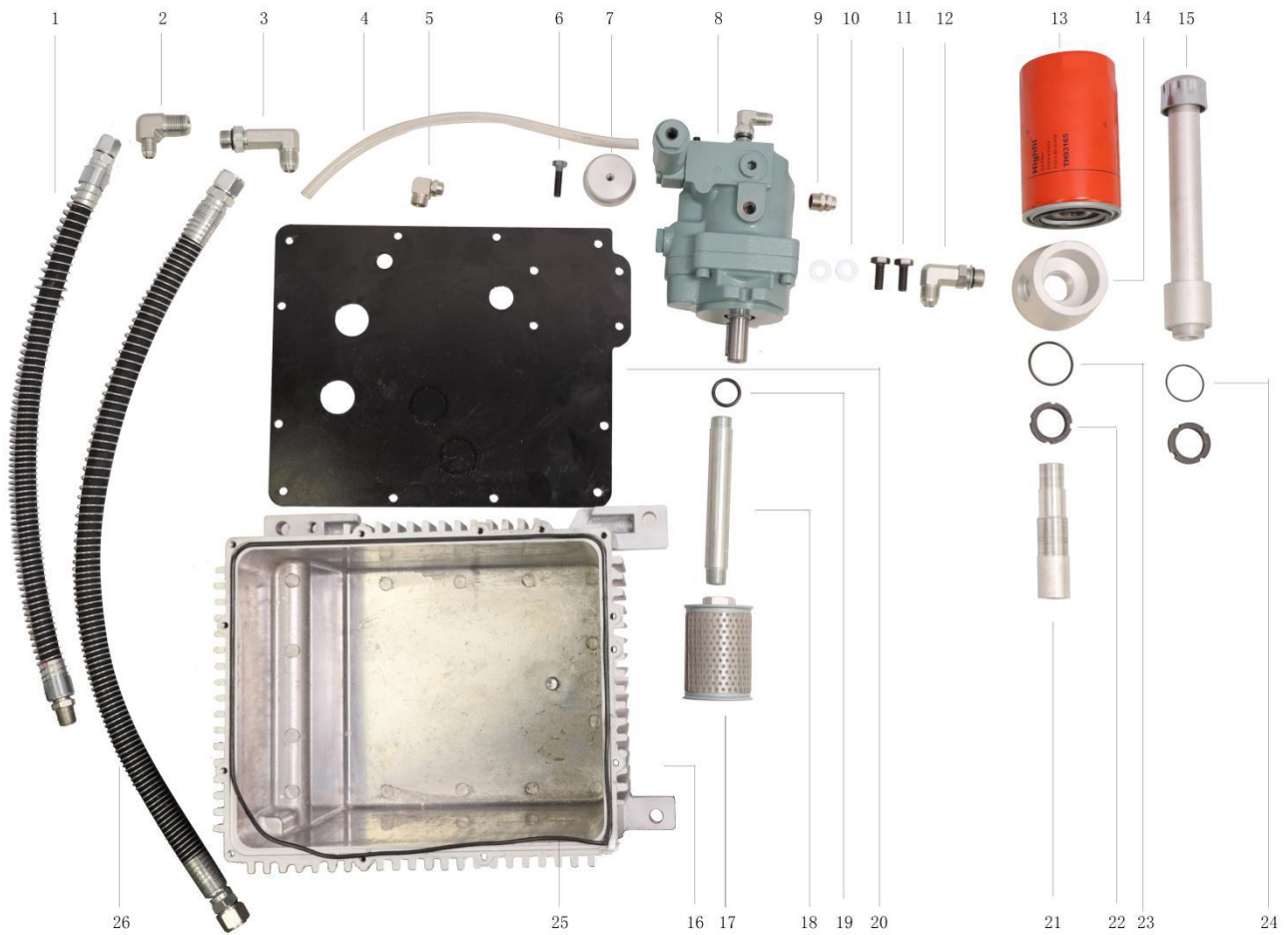
14	X96214	X98214	Seal washer	1	
15	X96215	X98215	Outlet valve housing	1	
16	X96216	X98216	Pump cylinder	1	
17	X96217	X98217	O-ring	1	
18	X96218	X98218	Wave washer	1	
19	X96219	X98219	Foot valve cage	1	
20	X96220	X98220	Foot valve ball	1	
21	X96221	X98221	Foot valve seat	1	
23	X96223	X98223	Foot valve housing	1	
24	X96224	X98224	Siphon tube	1	
25	X96225	X98225	Siphon tube	1	
26	X96226	X98226	Suction filter	1	

PAZ-9600(E) PAZ-9800(E) Filter housing



No.	PAZ-9600(E)	PAZ-9800(E)	Description	Qty	Unit Price
1	X96301	X98301	Filter cap assembly	1	
2	X96302	X98302	Spring	1	
3	X96303	X98303	Filter element	1	
4	X96304	X98304	Gasket	1	
5	X96305	X98305	Ball	1	
6	X96306	X98306	Gasket	1	
7	X96307	X98307	Seat, tungsten carbide	1	
8	X96308	X98308	Pressure gauge	1	
9	X96309	X98309	Filter body	1	
10	X96310	X98310	Pipe plug	1	
11	X96311	X98311	Fluid outlet fitting+gasket	3	
12	X96312	X98312	Elbow, 90°	1	
13	X96313	X98313	Bleed valve	1	
14	X96314	X98314	Clamp, big	1	
15	X96315	X98315	Clamp, small	1	
16	X96316	X98316	Hose	1	

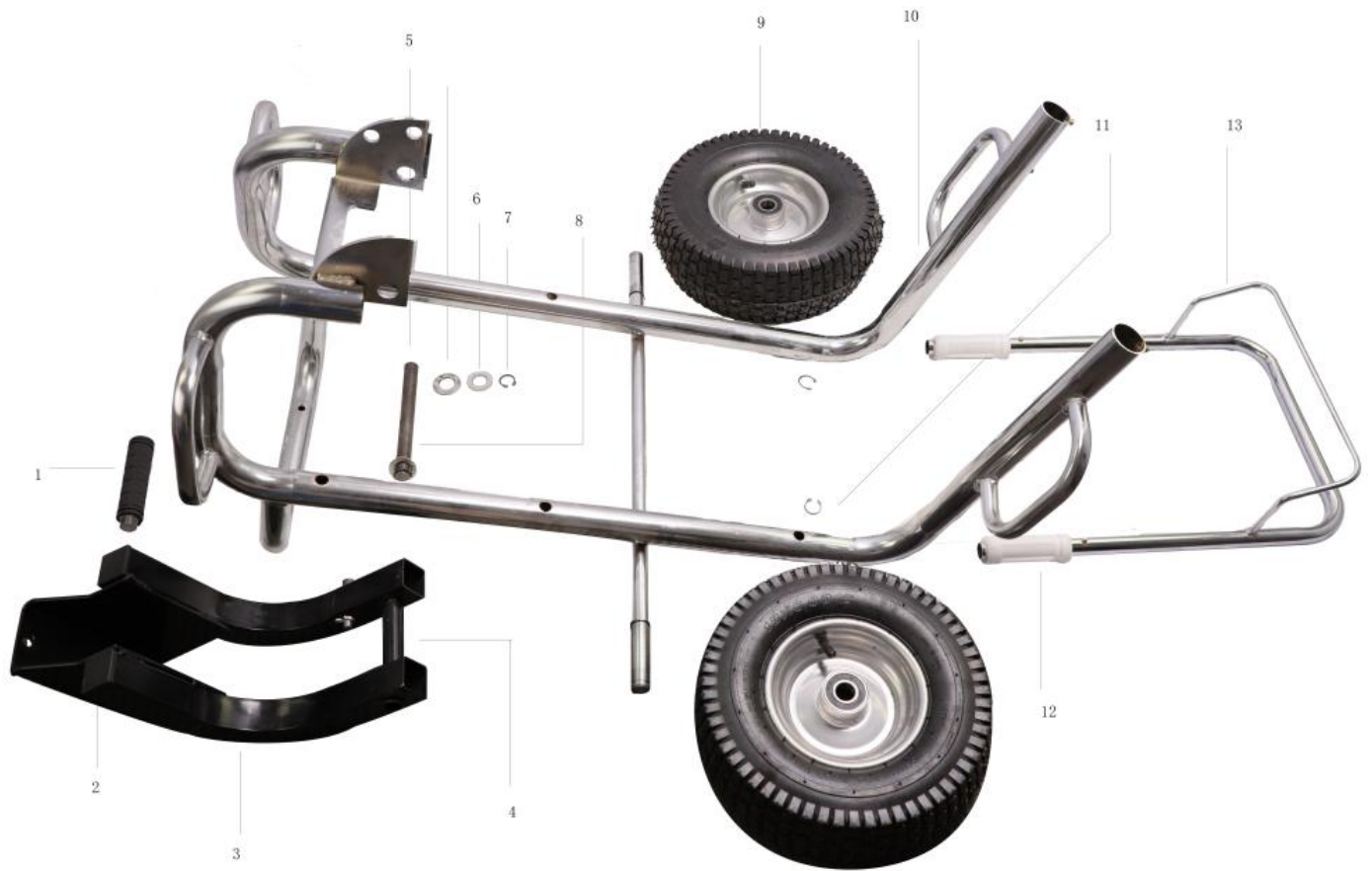
PAZ-9600(E) PAZ-9800(E) Hydraulic system



No.	PAZ-9600(E)	PAZ-9800(E)	Description	Qty	Unit Price
1	X96501	X98501	hydraulic tube	1	
2	X96502	X98502	elbow	1	
3	X96503	X98503	elbow	1	
4	X96504	X98504	tube	1	
5	X96505	X98505	elbow	1	
6	X96506	X98506	Set screw	1	
7	X96507	X98507	Pressure control knob	1	
8	X96508	X98508	Hydraulic pump	1	
9	X96509	X98509	Tube connector	1	

10	X96510	X98510	Gasket	2	
11	X96511	X98511	Set screw	2	
12	X96512	X98512	Elbow	1	
13	X96513	X98513	Hydraulic filter	1	
14	X96514	X98514	Filter seat	1	
15	X96515	X98515	Hydraulic fluid dipstick	1	
16	X96516	X98516	Hydraulic tank	1	
17	X96517	X98517	Inlet screen	1	
18	X96518	X98518	Nipple	1	
19	X96519	X98519	O-ring	1	
20	X96520	X98520	Tank cover	1	
21	X96521	X98521	Tube	1	
22	X96522	X98522	Retaining nut	1	
23	X96523	X98523	O-ring	1	
24	X96524	X98524	O-ring	1	
25	X96525	X98525	Tank gasket	1	
26	X96526	X98526	hydraulic tube	1	

PAZ-9600(E) PAZ-9800(E) Cart



No.	PAZ-9600(E)	PAZ-9800(E)	Description	Qty	Unit Price
1	X96401	X98401	Grip	1	
2-4	X96403	X98403	Swing arm	1	
5	X96405	X98405	Plug	1	
6	X96406	X98406	Gasket	1	
7	X96407	X98407	Retaining ring	1	
8	X96408	X98408	Swing arm axle	1	
9	X96409	X98409	Wheel	2	
10	X96410	X98410	Frame	1	
11	X96411	X98411	Retaining ring	2	
12	X96412	X98412	Sleeve	2	
13	X96413	X98413	Handle	1	