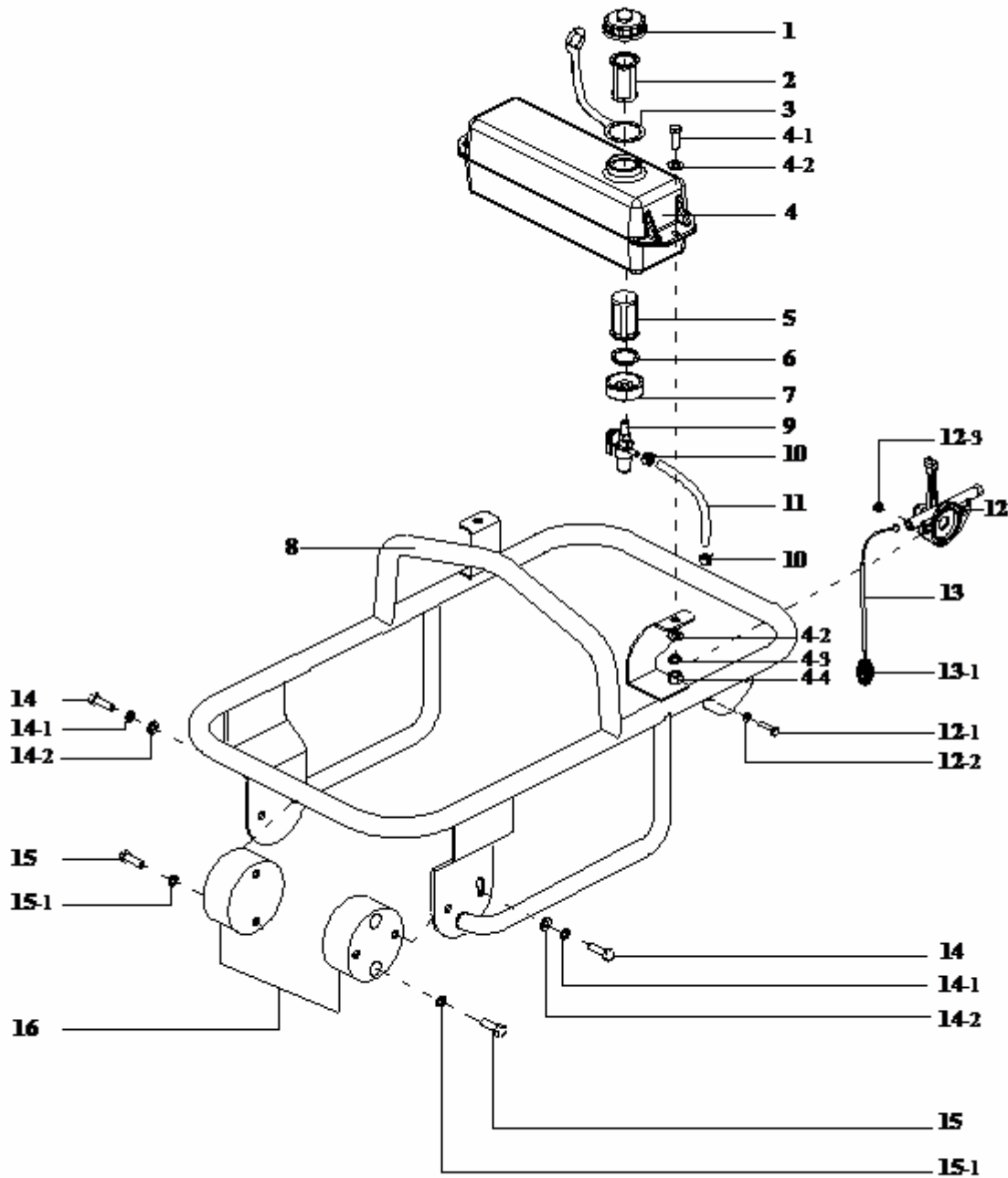


11. SPARE PARTS CATALOGUE

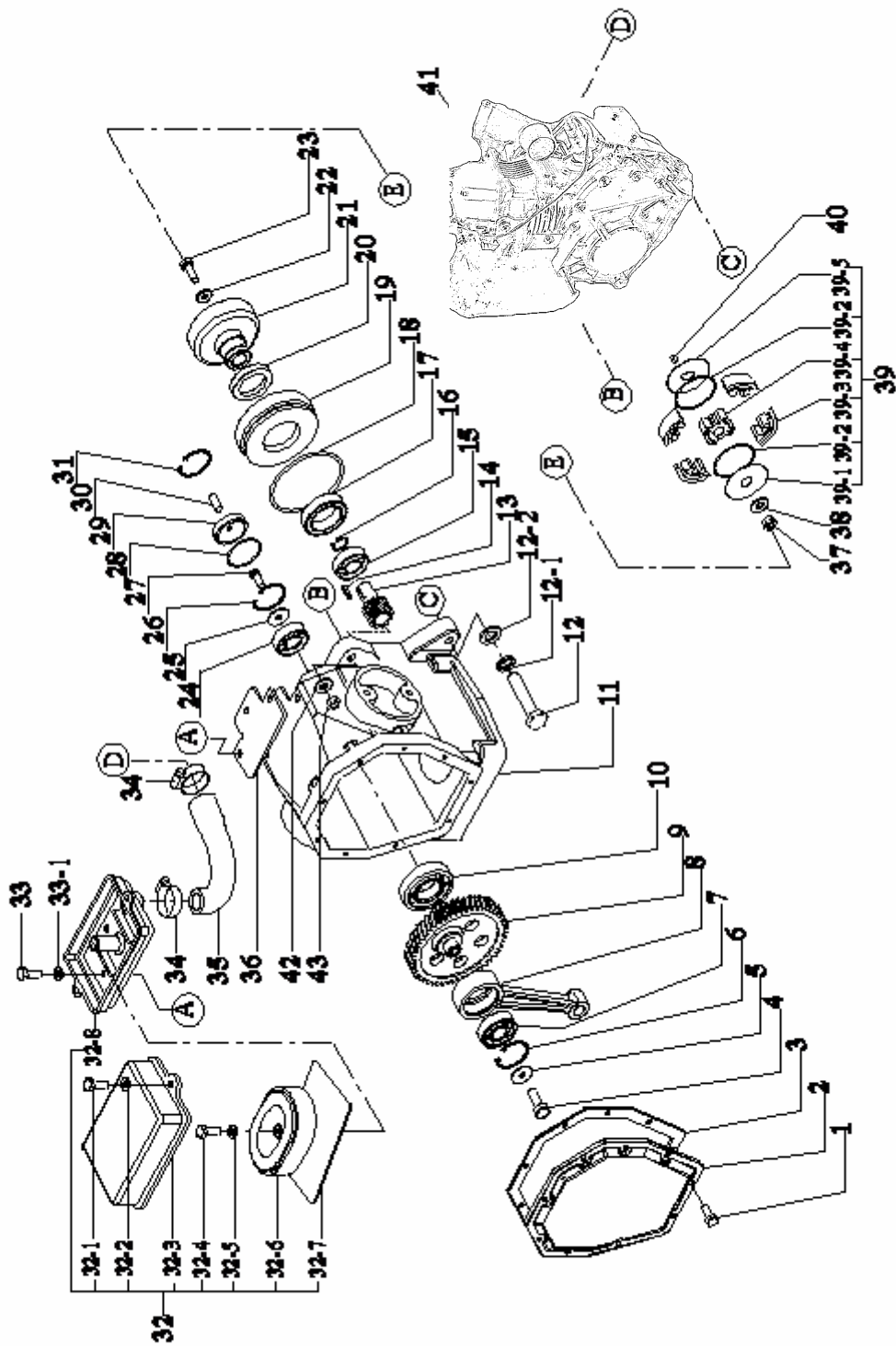
A) HANDLE AND FUEL TANK CV80Y



A) HANDLE AND FUEL TANK CV80Y

POS	PART NO	DESCRIPTION	QTY
1	CV80Y-01A	TANK CAP AY	1
2	CV80Y-02A	FILTER, TANK	1
3	CV80Y-03A	STRAP, OIL TANK	1
4	CV80Y-04A	FUEL TANK	1
4-1	CV80Y-04-1A	BOLT M8x25T	2
4-2	CV80Y-04-2A	WASHER 8.5x17x2	4
4-3	CV80Y-04-3A	SW M8	2
4-4	CV80Y-04-4A	NUT M8	2
5	CV80Y-05A	STRAINER ASSY, FUEL	1
6	CV80Y-06A	PACKIN, COCK HOLDER	1
7	CV80Y-07A	HOLDER, COCK	1
8	CV80Y-08A	HANDLE	1
9	CV80Y-09A	FUEL COCK, PETROL /73P	1
10	CV80Y-10A	HOSE BAND 9.5D	2
11	CV80Y-11A	FUEL HOSE B-220	1
12	CV80Y-12A	THROTTLE LEVER ASSY, PETROL +SHEAT+WIRE	1
12-1	CV80Y-12-1A	BOLT M6x25T	2
12-2	CV80Y-12-2A	WASHER 6.5x12x1.5	4
12-3	CV80Y-12-3A	NYLON NUT M6	2
13	CV80Y-13A	THROTTLE WIRE+SHEAT	1
13-1	CV80Y-13-1A	RETURN SPRING, ROBIN	1
14	CV80Y-14A	BOLT 10x25T	4
14-1	CV80Y-14-1A	SW M10	4
14-2	CV80Y-14-1A	WASHER 11.5x20x2	4
15	CV80Y-15A	S-HALLEN KEY BOLT 10x25T	4
15-1	CV80Y-15-1A	SW M10	4
16	CV80Y-16A	SHOCK ABSORBER	2

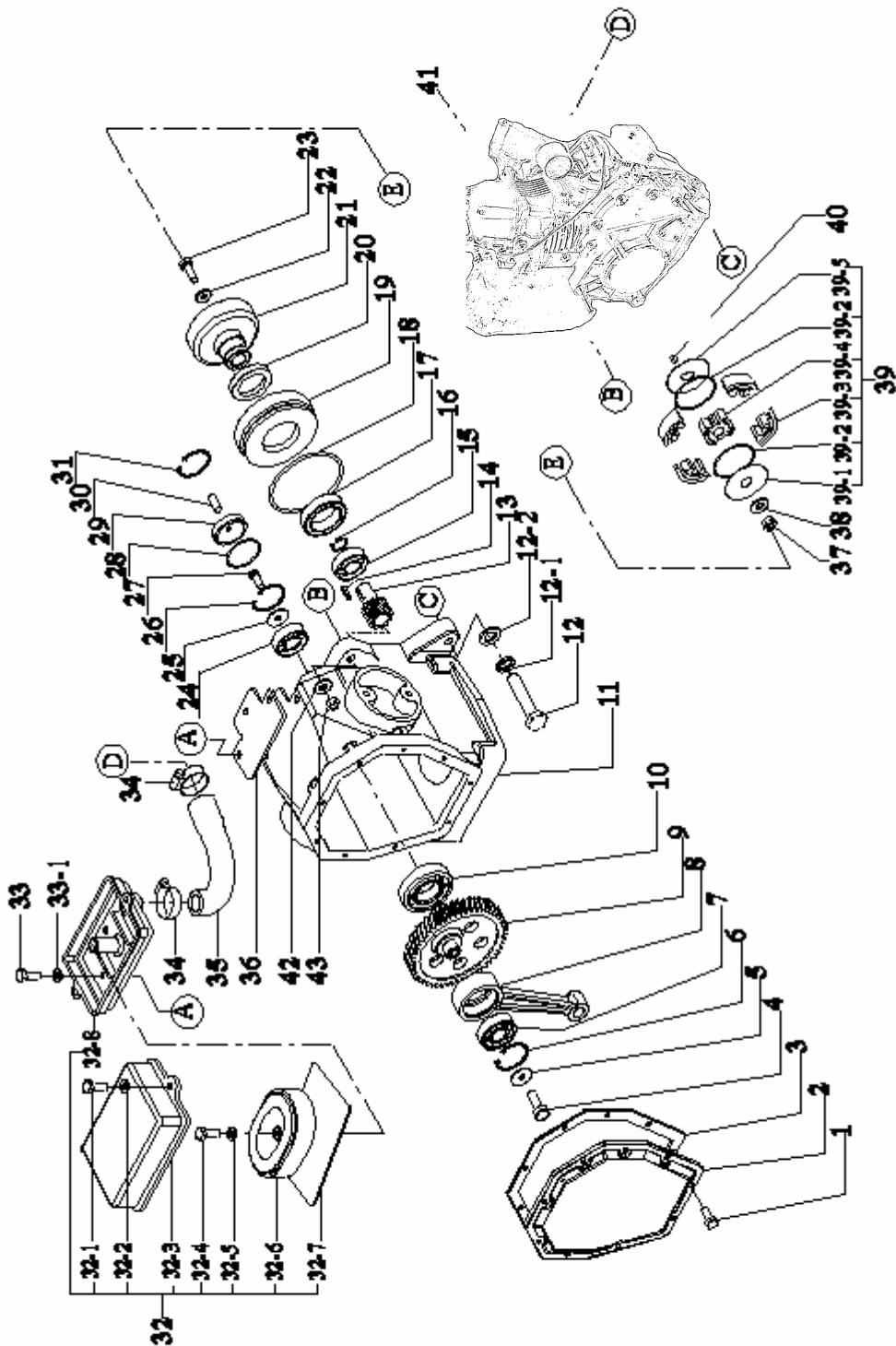
B) CRANK CASE CV80Y



B) CRANK CASE CV80Y

POS	PART NO	DESCRIPTION	QTY
1	CV80Y-01B	BOLT M6x20	9
2	CV80Y-02B	FRONT COVER	1
3	CV80Y-03B	PACKING FRONT COVER	1
4	CV80Y-04B	BOLT M8x20 H, SW	1
5	CV80Y-05B	WASHER 9304	1
6	CV80Y-06B	STOP RING R-52	1
7	CV80Y-07B	BEARING 6304	1
8	CV80Y-08B	CONNECTING ROD	1
9	CV80Y-09B	CRANK GEAR	1
10	CV80Y-10B	BEARING 6207	1
11	CV80Y-11B	CRANK CASE	1
12	CV80Y-12B	BOLT M10x50T	2
12-1	CV80Y-12-1B	SW M10	2
12-2	CV80Y-12-2B	WASHER M10	2
13	CV80Y-13B	PINION	1
14	CV80Y-14B	KEY 5x5x19R	1
15	CV80Y-15B	BEARING 6204	1
16	CV80Y-16B	STOP RING S-35	1
17	CV80Y-17B	BEARING 6007Z	1
18	CV80Y-18B	O-RING G-100	1
19	CV80Y-19B	SPACER	1
20	CV80Y-20B	OIL SEAL TC-40528	1
21	CV80Y-21B	CLUTCH DRUM	1
22	CV80Y-22B	LOCK WASHER	1
23	CV80Y-23B	BOLT M8x20 T	1
24	CV80Y-24B	BEARING 6204	1
25	CV80Y-25B	WASHER 9304	1
26	CV80Y-26B	STOP RING-R48	1
27	CV80Y-27B	BOLT M8x20 T	1
28	CV80Y-28B	O-RING R-48	1
29	CV80Y-29B	BEARING COVER	1
30	CV80Y-30B	BOLT M8x10 T	1
31	CV80Y-31B	STOP RING-R48	1

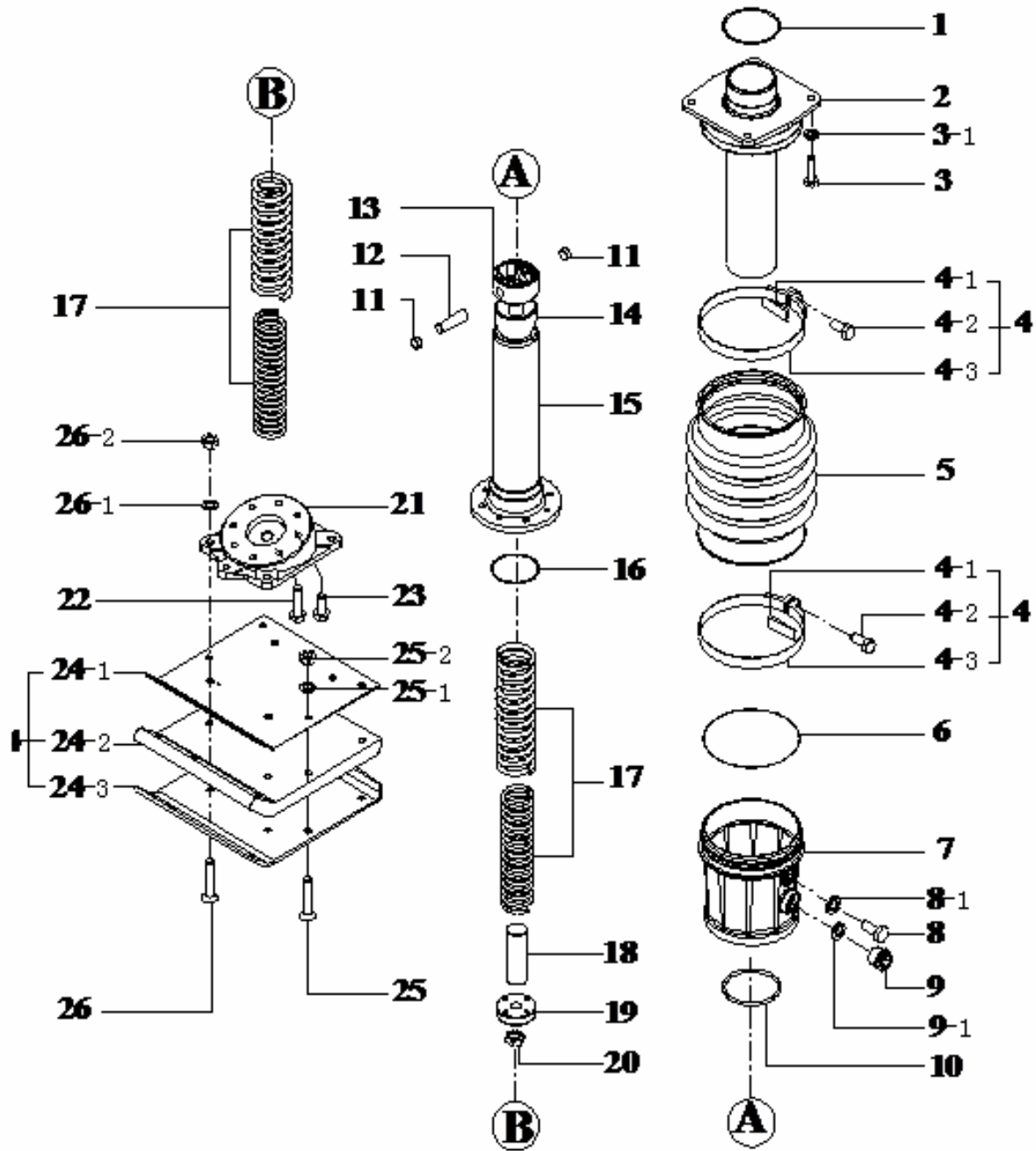
B) CRANK CASE CV80Y



B) CRANK CASE CV80Y

POS	PART NO	DESCRIPTION	QTY
32	CV80Y-32B	AIR CLEANER ASSEMBLY	1
32-1	CV80Y-32-1B	BOLT M8x25 T	2
32-2	CV80Y-32-2B	WASHER M6	2
32-3	CV80Y-32-3B	BODY CP AIR CLEANER	1
32-4	CV80Y-32-4B	BOLT 8x20 T	1
32-5	CV80Y-32-5B	WASHER M8	1
32-6	CV80Y-32-6B	COLANDER	1
32-7	CV80Y-32-7B	SEAT, AIR CLEANER	1
33	CV80Y-33B	BOLT M8x20 T	2
33-1	CV80Y-33-1B	WASHER M8	2
34	CV80Y-34B	HOSE BANK 35-50	2
35	CV80Y-35B	INTAKE PIPE	1
36	CV80Y-36B	DAMPING CUSHION	1
37	CV80Y-37B	NUT M12 (P1.25-B17)	1
38	CV80Y-38B	LOCK WASHER CLUTCH	1
39	CV80Y-39B	CLUTCH ASSEMBLY	1
39-1	CV80Y-39-1B	CLUTCH GUIDE	1
39-2	CV80Y-39-2B	CLUTCH SPRING C812	2
39-3	CV80Y-39-3B	CLUTCH SHOE C812	4
39-4	CV80Y-39-4B	CLUTCH BOSS C812	1
39-5	CV80Y-39-5B	CLUTCH GUIDE	1
40	CV80Y-40B	FLAT KEY 4x14	1
41	CV80Y-41B	CIMAR DIESEL ENGINE AY F210	1
42	CV80Y-42B	SW M10	2
43	CV80Y-43B	LOCKNUT M10	2

C) CYLINDER AND RAMMER SHOE CV80Y



C) CYLINDER AND RAMMER SHOE CV80Y

POS	PART NO	DESCRIPTION	QTY
1	CV80Y-01C	O-RING P-108	1
2	CV80Y-02C	GUIDE CYLINDER,	1
3	CV80Y-03C	BOLT 10x35T	4
3-1	CV80Y-03-1C	SW M10	4
4	CV80Y-04C	BELLOWS CLAMP ASSEMBLY	2
4-1	CV80Y-04-1C	BAND GUIDE BELLOWS	2
4-2	CV80Y-04-2C	BOLT 8x35T	2
4-3	CV80Y-04-3C	BELLOWS CLAMP	2
5	CV80Y-05C	BELLOWS, YELLOW	1
6	CV80Y-06C	O-RING JAS03150	1
7	CV80Y-07C	PROTECTIVE SLEEVE	1
8	CV80Y-08C	PLUG 16x13 13T	1
8-1	CV80Y-08-1C	O-RING G-16	1
9	CV80Y-09C	SIGHT GLASS W/GASKET 10T	1
9-1	CV80Y-09-1C	O-RING G-20	1
10	CV80Y-10C	O-RING G-95	1
11	CV80Y-11C	PLUG	2
12	CV80Y-12C	PISTON PIN	1
13	CV80Y-13C	PISTON ROD	1
14	CV80Y-14C	STOPPER, UPPER	1
15	CV80Y-15C	SPRING CYLINDER	1
16	CV80Y-16C	O-RING G-97	1
17	CV80Y-17C	MAIN SPRING	2
18	CV80Y-18C	STOPPER, LOWER	1
19	CV80Y-19C	PISTON END	1
20	CV80Y-20C	NUT M20 P1.5	1
21	CV80Y-21C	FOOT PLATE	1
22	CV80Y-22C	SOCKET HEAD BOLT M10x40T	4
23	CV80Y-23C	SOCKET HEAD BOLT M10x25T	4
24	CV80Y-24C	RAMMER SHOE	1
24-1	CV80Y-24-1C	RAMMER SHOE COVER	1
24-2	CV80Y-24-2C	FOOT	1
24-3	CV80Y-24-3C	METAL SHEET	1
25	CV80Y-25C	SUNK HEAD BOLT M12x50	7
25-1	CV80Y-25-1C	SW M10	7
25-2	CV80Y-25-2C	LOCKNUT M10	7
26	CV80Y-26C	SUNK HEAD BOLT M12x70T	4
26-1	CV80Y-26-1C	SW M12	4
26-2	CV80Y-26-2C	LOCKNUT M12	4