

1188880
MASONRY 600 400V 50HZ 4 KW TPH

3237070_1188880_R03W - R03W (21/5/2025)



Access Platform Division

Via San Francesco d'Assisi, 8 - 46020 Pegognaga (Mantova) - ITALY Tel. +39 0376
554011 - Fax +39 0376 559855

www.imergroup.com

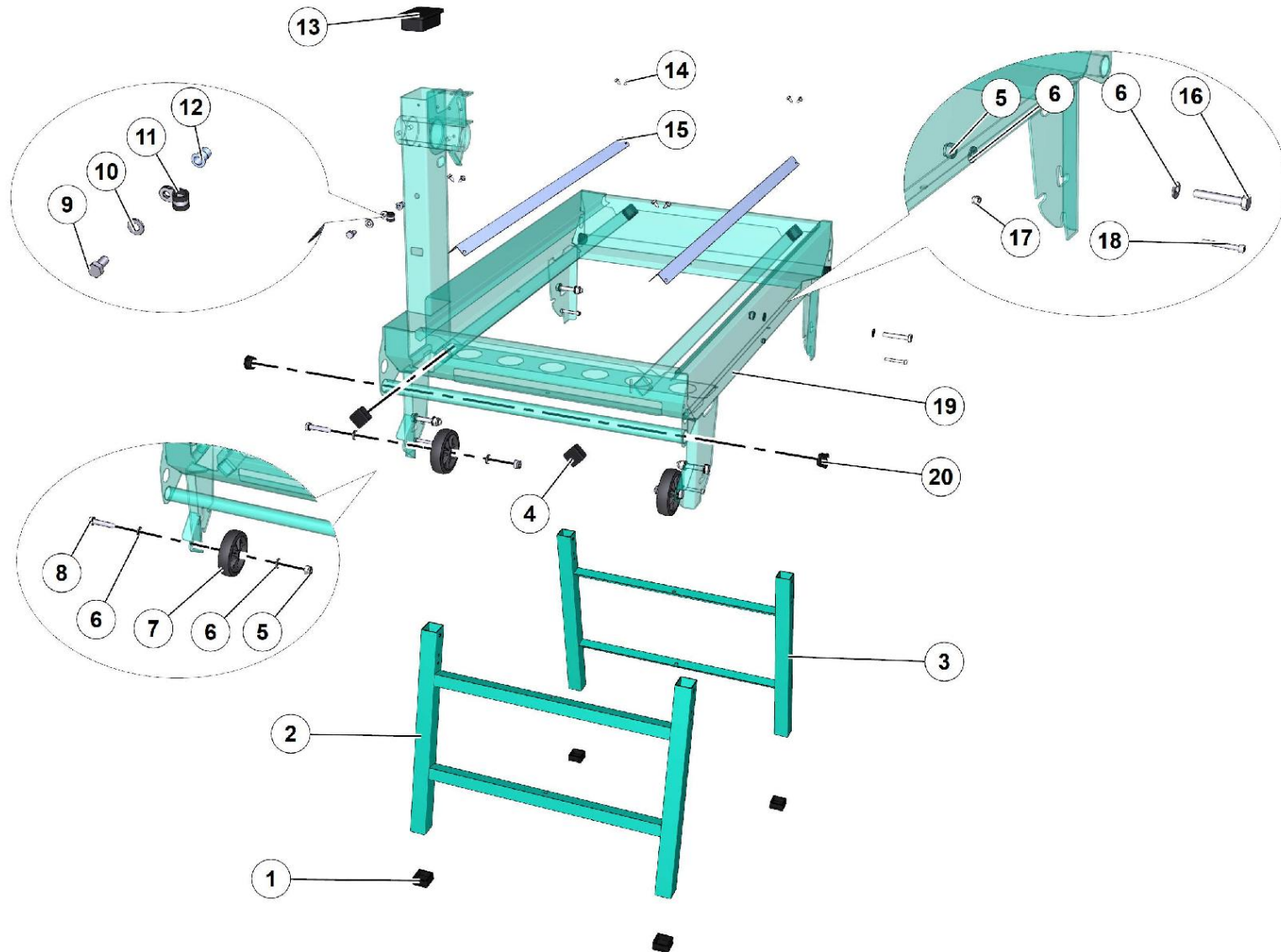
Building Equipment Division

Via della Meccanica, 39 (Zona Industriale Sentino) - 53040 Rapolano Terme
(Siena) - ITALY - Tel. +39 0577 97341 - Fax +39 0577 704077

www.imergroup.com

www.imerglobalcustomercare.com

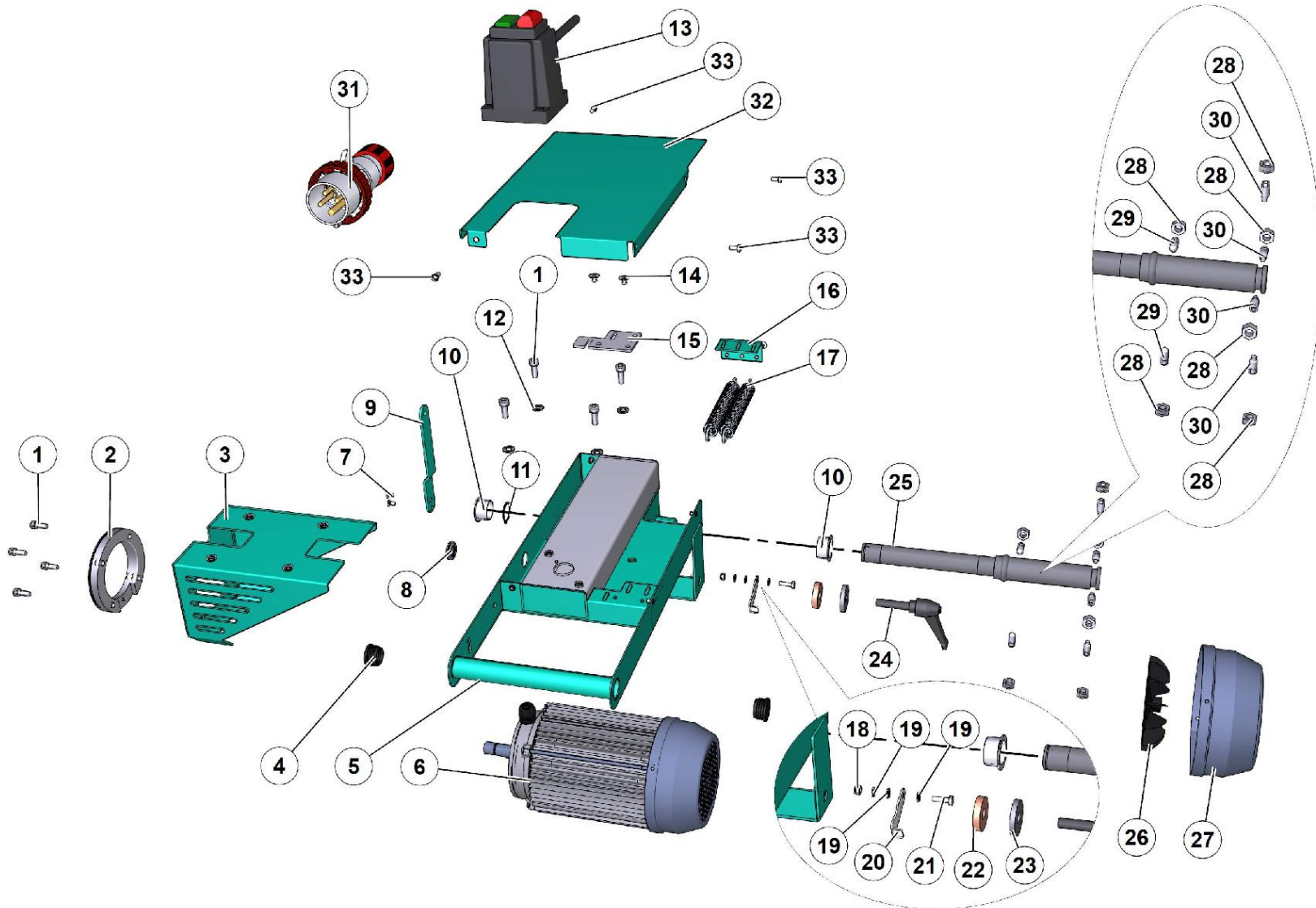
FRAME





N.	CODE	DESCRIPTION	UM	QTY
1	2257705	Terminal	PZ	4.0
2	3236866	PAINTED REAR LEG	PZ	1.0
3	3236865	M400 SMART PAINTED FRONT LEG	PZ	1.0
4	3205943	PLUG	PZ	4.0
5	2223920	SELF-LOCKING NUT	PZ	6.0
6	2224340	ROLLER/MORTAR PUMP	PZ	12.0
7	3205257	WHEEL	PZ	2.0
8	2222144	SCREW	PZ	2.0
9	2222064	SCREW	PZ	1.0
10	2224140	ROLLER 6593	PZ	1.0
11	3206312	CLIP	PZ	1.0
12	2224005	THREADED INSERT M8*9418-2822*	PZ	1.0
13	3209032	ARM CAP/CONC.MIXER	PZ	1.0
14	3206361	SCREW TE 8117 4,8X13	PZ	8.0
15	3231005	M400 SMART CHASSIS GUIDE COVER	PZ	2.0
16	2222148	SCREW	PZ	4.0
17	2223924	NUT	PZ	4.0
18	2222547	SCREW	PZ	4.0
19	3237061			1.0
20	3208452	PLUG	PZ	2.0

ELECTRIC MOTOR ARM ASSEMBLY



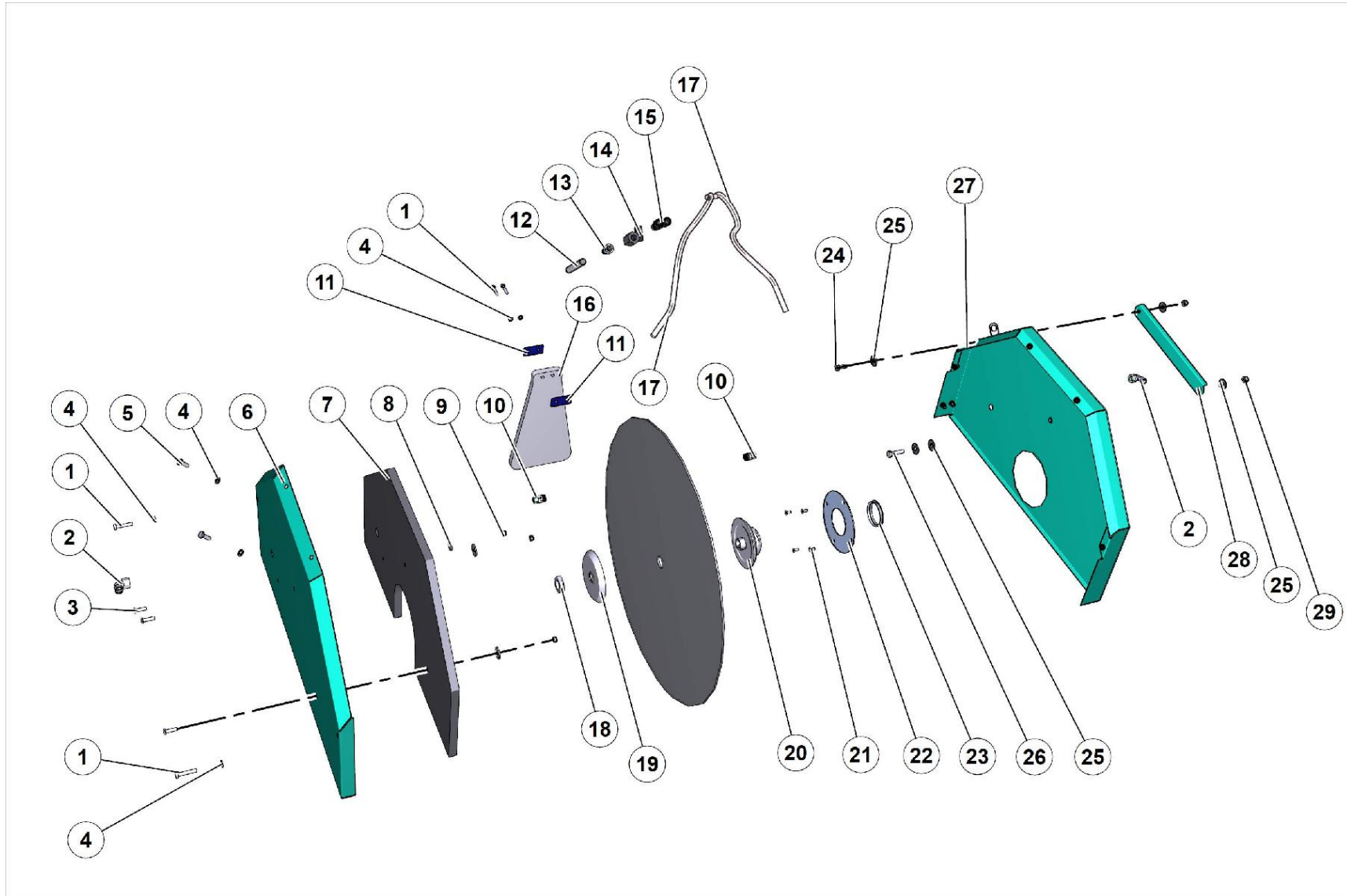


N.	CODE	DESCRIPTION	UM	QTY
1	2222509	SCREW	PZ	8.0
2	3237059	MOTOR FLANGE	PZ	1.0
3	3237049		PZ	1.0
4	3208452	PLUG	PZ	2.0
5	3237023	ARM	PZ	1.0
6	3237047	ELECTRIC MOTOR MEC90 4KW 400V 50HZ THREE	PZ	1.0
7	2222195	SCREW TSPEI 10.9 5933 6X 10 Z	PZ	1.0
8	3237208	CAP		1.0
9	3237056		PZ	1.0
10	3231010	IGUS BUSH GFM-3034-20	PZ	2.0
11	2227240	STOP RING	PZ	1.0
12	2224140	ROLLER 6593	PZ	4.0
13	3237086	ELECTRIC CONTROL PANEL MASONRY 600 400V/	PZ	1.0
14	2288788	Self-tapping screw	PZ	2.0
15	3237197			1.0
16	3237195		PZ	1.0
17	3230974	SPRING HEAD M400 SMART	PZ	2.0
18	3211470	NUT	PZ	1.0
19	2224530	ROLLER/MN	PZ	3.0
20	3237054	BOLT MASONRY 600	PZ	1.0
21	2222016	SCREW	PZ	1.0



N.	CODE	DESCRIPTION	UM	QTY
22	3233916	FERODO DISC T/L 401 D.40X12,5X8	PZ	1.0
23	3225956	SPACER BRACKET MS.700	PZ	1.0
24	3206973	Lever	PZ	1.0
25	3231077	GALVANIZED SWING PIN M400 SMART	PZ	1.0
26	3237073	FAN MEC 90	PZ	1.0
27	3237072	Fan cover	PZ	1.0
28	2223650	NUT	PZ	6.0
29	3231031	GRAIN 5927 D.10X25 Z	PZ	2.0
30	3231030	GRAIN 5925 D.10X25 Z	PZ	4.0
31	3231334	PLUG		1.0
32	3237045			1.0
33	2222465	SCREW	PZ	4.0

DISC CARTER ASSEMBLY



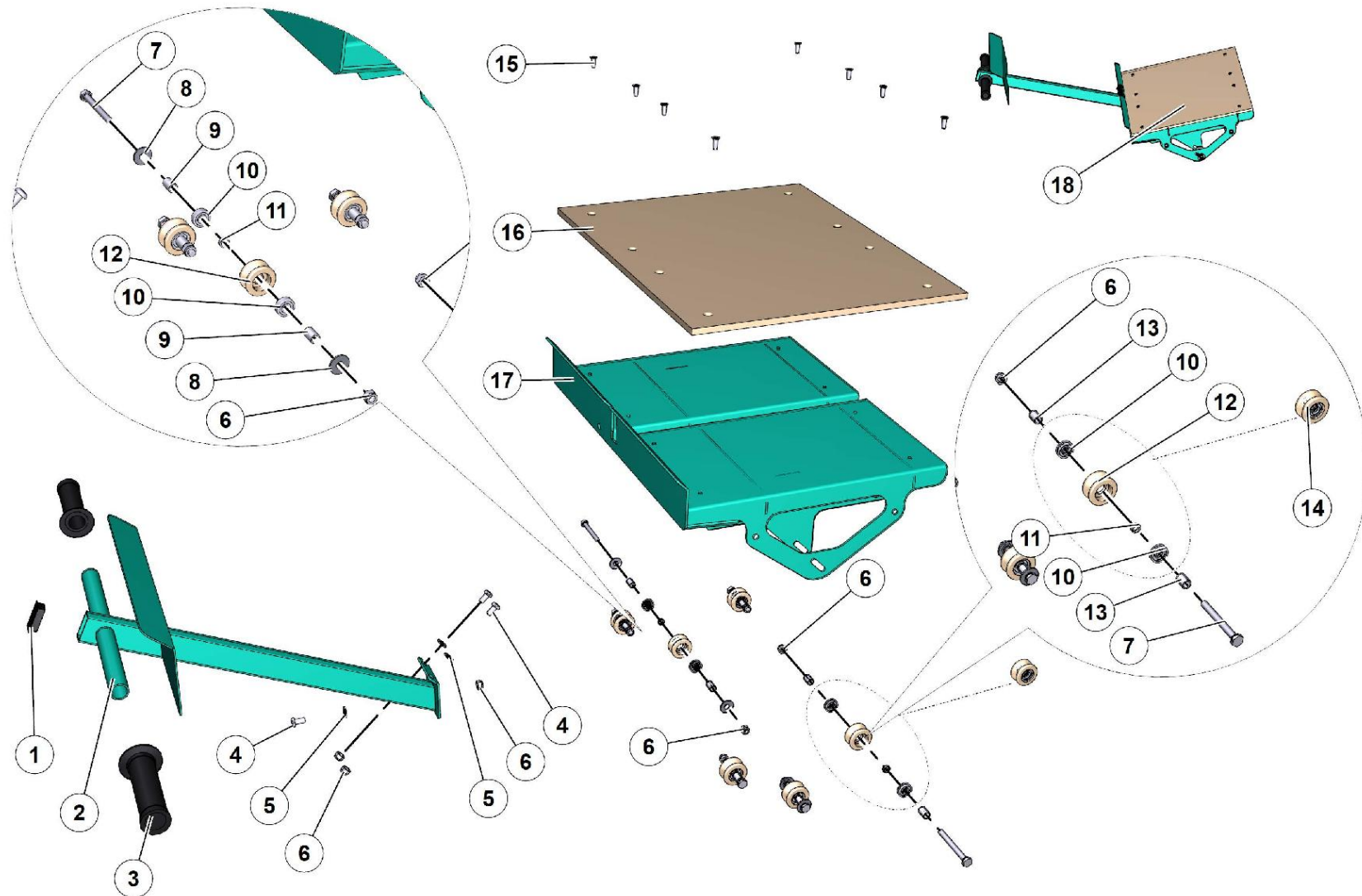


N.	CODE	DESCRIPTION	UM	QTY
1	2222022	SCREW	PZ	7.0
2	3224366	COUPLING	PZ	2.0
3	3206223	SCREW	PZ	2.0
4	2224530	ROLLER/MN	PZ	4.0
5	2222002	SCREW	PZ	2.0
6	3237038			1.0
7	3237040	PANEL		1.0
8	2224049	WASHER	PZ	2.0
9	3211470	NUT	PZ	2.0
10	3231014	'STRAIGHT AIR FITTING QUICK COUPLING 1/4	PZ	2.0
11	3231004	M400 SMART SPLASH GUARD PLATE	PZ	2.0
12	3227803	TUBE	M	1.0
13	3228674	RUBBER HOLDER	PZ	1.0
14	3224206	BALL VALVE	PZ	1.0
15	3231015	'STRAIGHT AIR FITTING QUICK COUPLING 1/4	PZ	1.0
16	3237053	MASONRY 600 SPLASH GUARD	PZ	1.0
17	1272701	TUBE/SCREW PUMP	M	2.0
18	3208541	NUT	PZ	1.0
19	3237058	FLANGE	PZ	1.0
20	3237057	FLANGE	PZ	1.0
21	3204179	SCREW TSPEI 5933 5X12 Z		4.0



N.	CODE	DESCRIPTION	UM	QTY
22	3237043		PZ	1.0
23	3237048	STOP RING		1.0
24	2222060	SCREW	PZ	1.0
25	2224204	ROLLER/SAW	PZ	5.0
26	2222006	SCREW	PZ	1.0
27	3237032		PZ	1.0
28	3237037			1.0
29	3210623	NUT	PZ	2.0

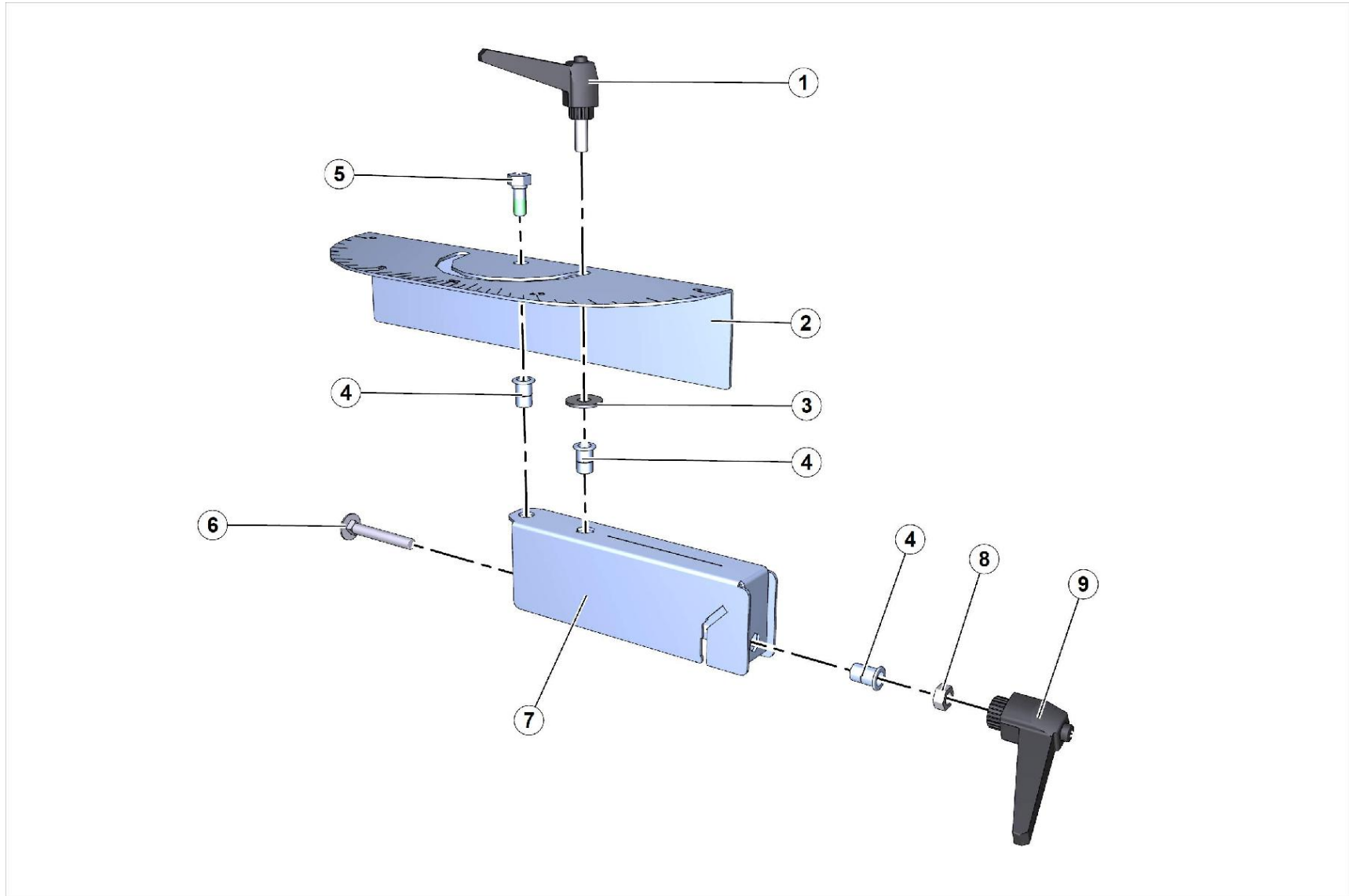
CARRIAGE





N.	CODE	DESCRIPTION	UM	QTY
1	3223713	PLUG	PZ	1.0
2	3237200	PAINTED MASONRY 600 TROLLEY HANDLE	PZ	1.0
3	2288887	HANDLE	PZ	3.0
4	3224866	SCREW TBEI 10.9 7380 8X16 Z		3.0
5	2224140	ROLLER 6593	PZ	3.0
6	3210623	NUT	PZ	9.0
7	2222091	BOLT 8X70	PZ	6.0
8	2224204	ROLLER/SAW	PZ	4.0
9	3231075	M400 SMART TROLLEY SPACER	PZ	4.0
10	3204945	BEARING	PZ	12.0
11	3207393	SPACER	PZ	6.0
12	3207397	ROLLER/SAW	PZ	6.0
13	3228922	SPACER	PZ	8.0
14	3207525	WHEEL/SAW	PZ	6.0
15	3214965	SCREW	PZ	8.0
16	3230990	WOOD TOP M400 SMART (HT)	PZ	1.0
17	3236863	PAINTED M400 SMART TROLLEY	PZ	1.0
18	3237081			1.0

GONIOMETER

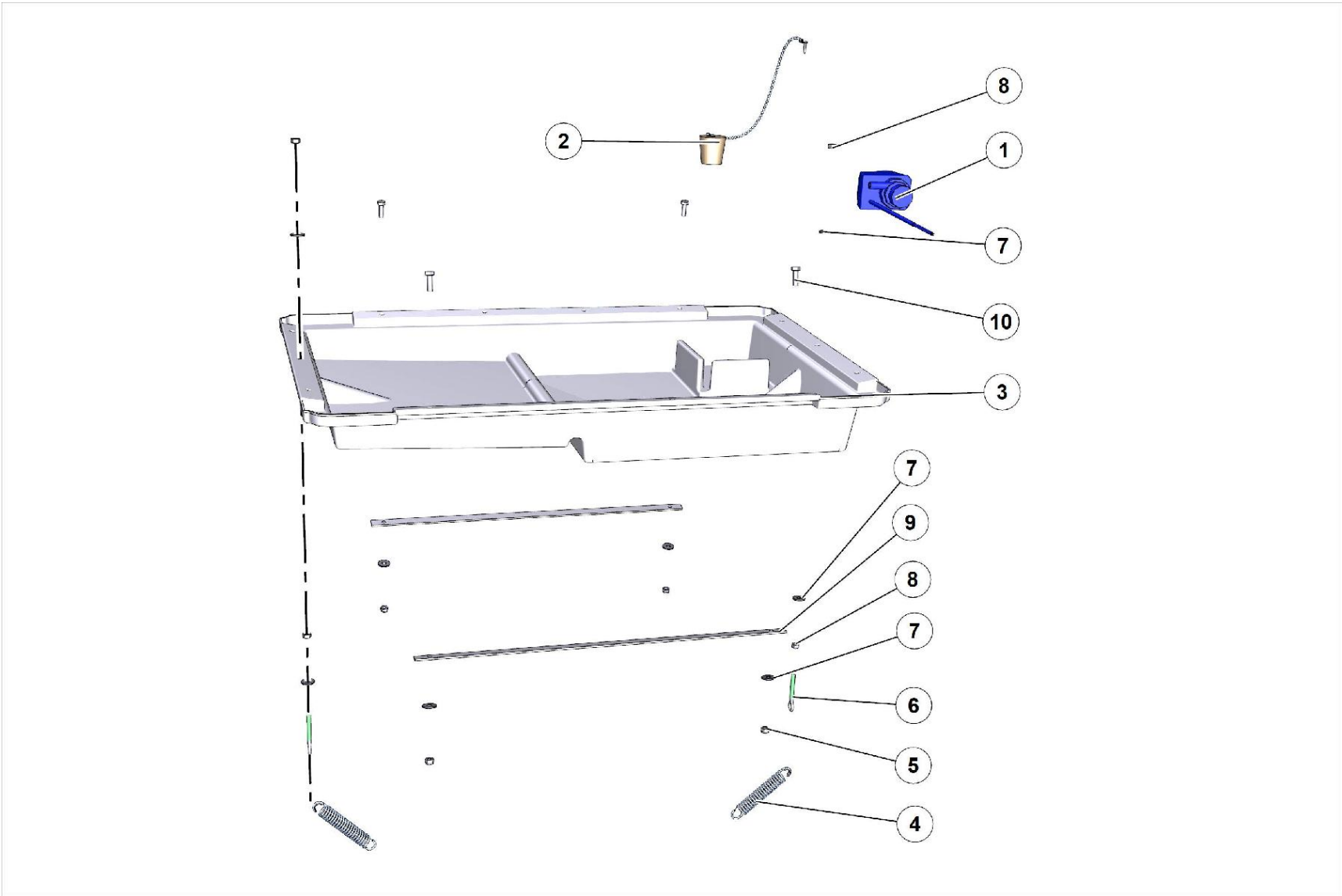




N.	CODE	DESCRIPTION	UM	QTY
1	3208414	LEVER/SAW	PZ	1.0
2	3230971	M400 SMART PROTRACTOR	PZ	1.0
3	2224204	ROLLER/SAW	PZ	1.0
4	2224005	THREADED INSERT M8*9418-2822*	PZ	3.0
5	3208416	Pin	PZ	1.0
6	3231183	SCREW TTCQ 5732-65 M8X60 Z (CUT)	PZ	1.0
7	3230985	M400 SMART PROTRACTOR SUPPORT	PZ	1.0
8	2223570	NUT	PZ	1.0
9	3231007	SNAP LEVER M8 F. ART. A522065.TM0801	PZ	1.0



TANK ASSEMBLY





N.	CODE	DESCRIPTION	UM	QTY
1	3233271	PUMP 230V 50HZ 50W + FEMALE FASTON	PZ	1.0
2	3231093	COMPLETE BATH CAP M400 SMART	PZ	1.0
3	3231003	WATER COLLECTION TANK M400 SMART	PZ	1.0
4	3230973	M400 SMART LEGS SPRING	PZ	2.0
5	3210623	NUT	PZ	4.0
6	3231034	TIE-BEAM	PZ	2.0
7	2224204	ROLLER/SAW	PZ	4.0
8	2223570	NUT	PZ	2.0
9	3230984			2.0
10	2222076	SCREW/SAW	PZ	4.0



Access Platform Division

Via San Francesco d'Assisi, 8 - 46020 Pegognaga (Mantova) - ITALY Tel. +39 0376
554011 - Fax +39 0376 559855

www.imergroup.com

Building Equipment Division

Via della Meccanica, 39 (Zona Industriale Sentino) - 53040 Rapolano Terme
(Siena) - ITALY - Tel. +39 0577 97341 - Fax +39 0577 704077

www.imergroup.com