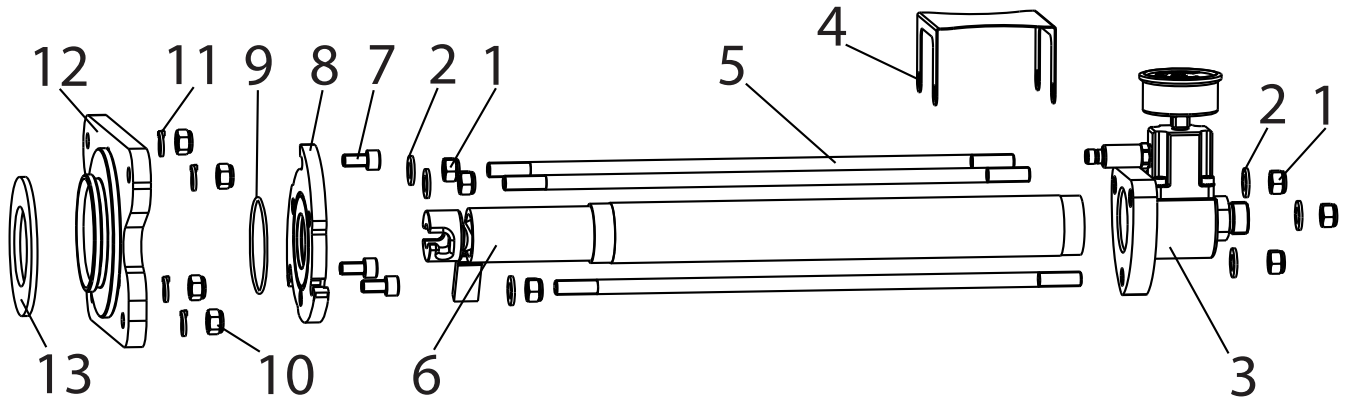


11 SPARE PARTS LIST FOR PLASTCOAT HP 30

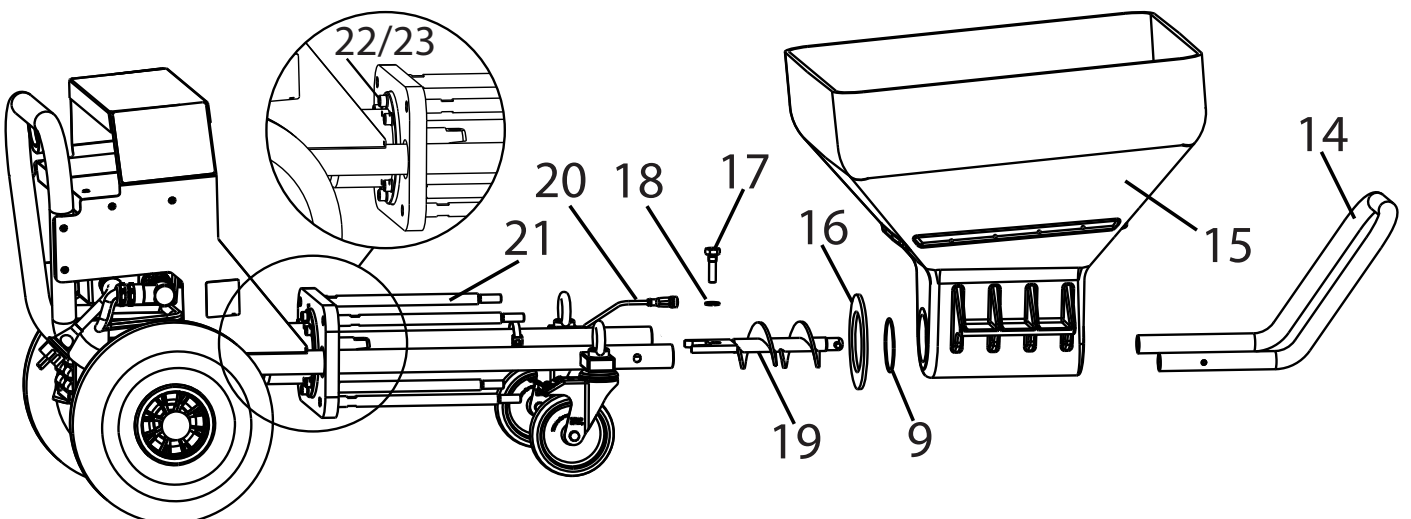
ITEM	ORDER NO.	DESIGNATION
1	9910205	Hexagon nut
2	9920107	Washer
3	2395995	Outlet unit assy.
4	2384714	Safety panel
5	2384095	Connecting rod
6	2395996	Stator and rotor
7	K108.03	Cylinder head screw

ITEM	ORDER NO.	DESIGNATION
8	2384092	Stator retaining plate
9	9974118	O-ring
10	9910205	Hexagon nut
11	9921514	Spring washer
12	2383705	Stator mounting plate
13	2360706	Rubber seal



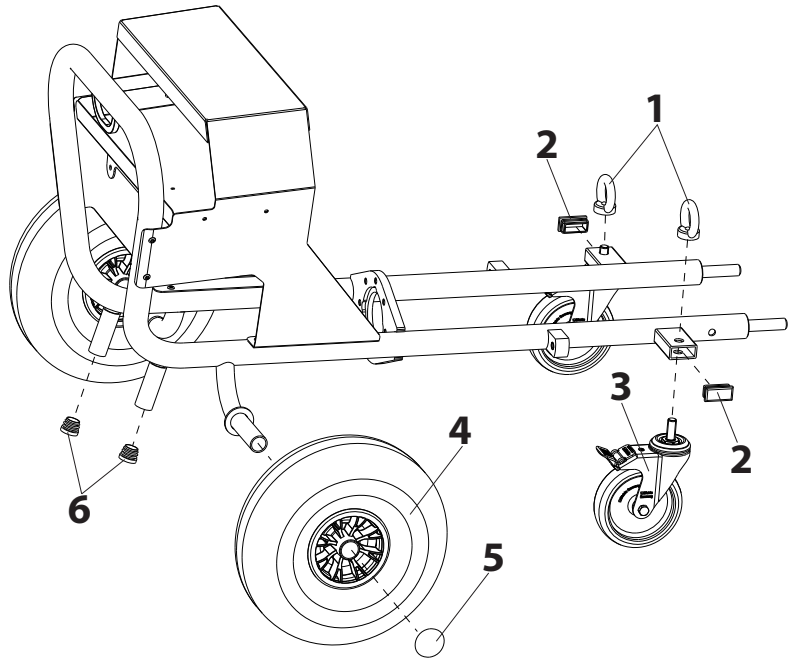
ITEM	ORDER NO.	DESIGNATION
14	2388748	Protective handle
15	2357594	Receptacle
16	2360707	Shaft sealing ring
17	348324	Screw
18	9921518	Spring washer

ITEM	ORDER NO.	DESIGNATION
19	2383763	Feeder shaft
20	2384771	Pressure sensor control cable
21	2383717	Spacer
22	9921501	Spring washer
23	9900313	Cylinder head screw



11.1 SPARE PARTS LIST FRAME

ITEM	ORDER NO.	DESIGNATION
1	3142039	Ring nut M12
2	3069013	Square head plug
3	2367604	Guide pulley
4	348349	Wheel
5	9994902	Wheel cap
6	2309787	Protective cap



12 PLASTCOAT HP 30 ACCESSORIES

ITEM	PART NO.	DESIGNATION
1	2400684	Dispersion set (comprising a Vector Pro gun, adapter, 15 m DN 10 high-pressure hose, HEA ProTip nozzle 517)
2	2389048	Bag squeezing table for the processing of bagged goods
Airless guns		
3	2341127	AG 19 270 bar (for processing spray putty)
4	538040	Vector Pro (for processing of dispersion paints)
Nozzles for processing spray putty		
5	553435	TradeTip 3 nozzle 435*
	553535	TradeTip 3 nozzle 535*
	553635	TradeTip 3 nozzle 635*
	553439	TradeTip 3 nozzle 439*
	553539	TradeTip 3 nozzle 539*
	553639	TradeTip 3 nozzle 639*
	553443	TradeTip 3 nozzle 443*
	553543	TradeTip 3 nozzle 543*
	553643	TradeTip 3 nozzle 643*
	553445	TradeTip 3 nozzle 445*
	553545	TradeTip 3 nozzle 545*
	553451	TradeTip 3 nozzle 451*
	553551	TradeTip 3 nozzle 551*
	553651	TradeTip 3 nozzle 651*
Nozzles for processing of dispersion paints		
6	554415	HEA Pro Tip nozzle 415*
	554515	HEA Pro Tip nozzle 515*
	554615	HEA Pro Tip nozzle 615*
	554417	HEA Pro Tip nozzle 417*
	554517	HEA Pro Tip nozzle 517*
	554617	HEA Pro Tip nozzle 617*
	554519	HEA Pro Tip nozzle 519*
	554619	HEA Pro Tip nozzle 619*
	554421	HEA Pro Tip nozzle 421*
	554521	HEA Pro Tip nozzle 521*
	554621	HEA Pro Tip nozzle 621*

ITEM	PART NO.	DESIGNATION
High-pressure hoses for processing spray putty		
7	2390763	DN 19 high-pressure hose, 10 m, BSPP 1/2"
	2390762	DN 12 hose whip - 2.5 m
High-pressure hoses for processing of dispersion paints		
8	2336583	DN 10 high-pressure hose, 15 m, - 3/8" NPSM
9	2332623	1/2" - 3/8" adapter for connecting high-pressure hoses with a 3/8" NPSM thread
Cleaning accessories		
10	2402355	Cleaning ball for DN 12
	0342330	Cleaning ball for DN 19
11	0342329	Bottle brush for cleaning the inside of the outlet unit
12	2399959	PlastGuard 1000 ml for short-term conservation for up to 5 days (no picture)
13	2399960	PlastGuard longlasting 5000 ml for longer-term storage (no picture)

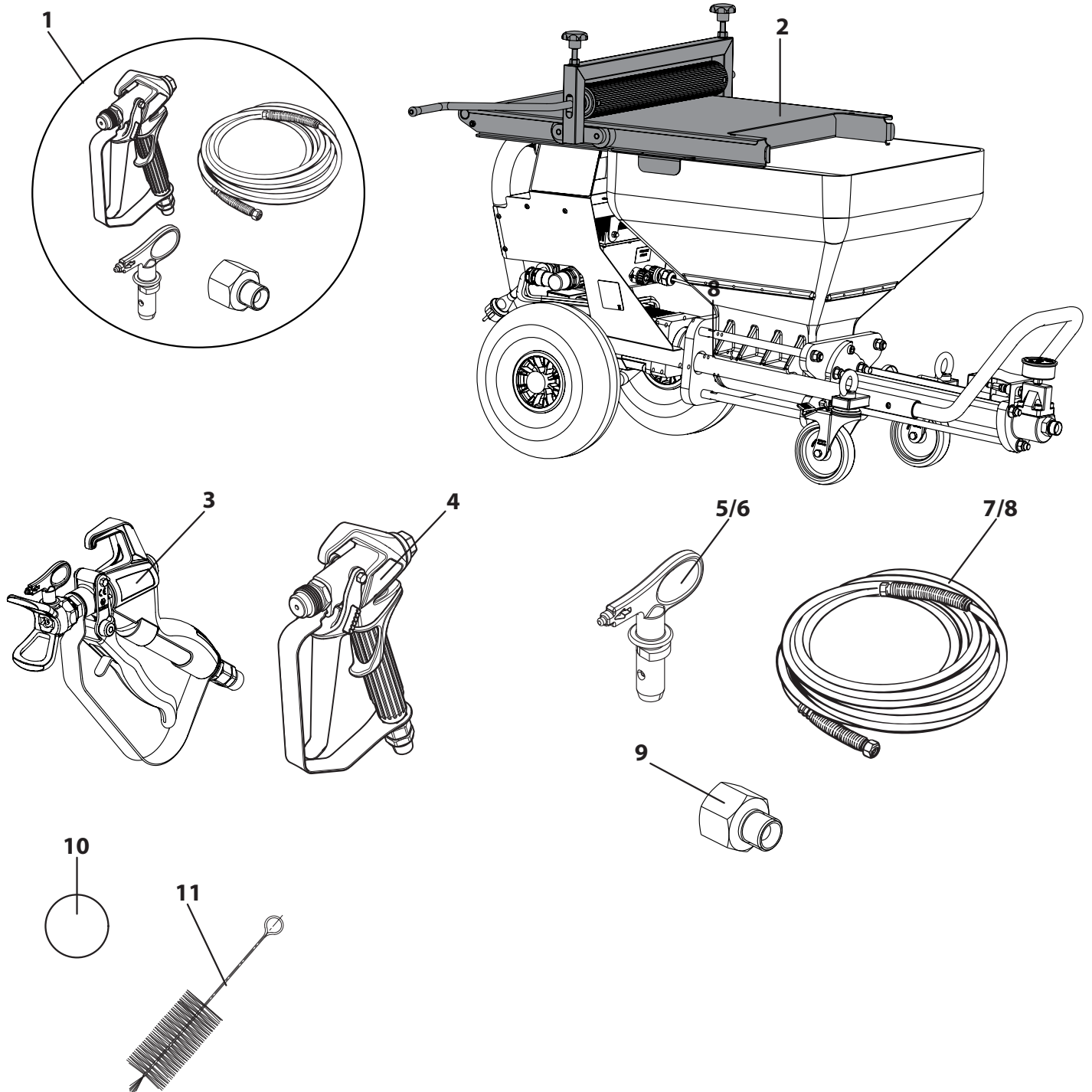
* Explanation of nozzle coding:

1st digit = Spraying angle (e.g. 4xx = 40°)

2nd and 3rd digits = Bore diameter (e.g. x35 = 0.035 inch)



PlastCoat HP 30 Accessories illustration



TESTING OF THE MACHINE

For safety reasons, we would recommend having the device checked by an expert as required but at least every 12 months to ensure that it can continue to operate safely.

In the case of unused devices, the check can be postponed until they are next started up.

All (potentially deviating) national inspection and maintenance regulations must also be observed.

If you have any questions, please contact the customer service team at Wagner.

NOTE ON DISPOSAL

In accordance with European Directive 2002/96/EC on the disposal of waste electrical equipment and its implementation in national law, this product may not be disposed of with the household refuse, but must rather be recycled in an environmentally correct manner.



Your waste WAGNER device will be taken back by us or our representatives and disposed of environmentally correctly. Please contact one of our service points or one of our representatives or us directly to this purpose.

IMPORTANT INFORMATION ON PRODUCT LIABILITY

According to an EU directive, the manufacturer is only liable without limitation for faults in the product if all parts come from the manufacturer or have been approved by the manufacturer and have been mounted to the device and are operated properly. If third-party accessories or spare parts are used, the manufacturer is exonerated wholly or partly from his/her liability if use of the third-party accessories or spare parts have caused a defect in the product. In extreme cases, the relevant authorities can completely prohibit using the entire device.

With original WAGNER accessories and spare parts, compliance with all safety regulations is guaranteed.

GUARANTEE DECLARATION

(Status 01.02.2009)

1. Scope of guarantee

All Wagner professional colour application devices (hereafter referred to as products) are carefully inspected, tested and are subject to strict checks under Wagner quality assurance. Wagner exclusively issues extended guarantees to commercial or professional users (hereafter referred to as "customer") who have purchased the product in an authorised specialist shop, and which relate to the products listed for that customer on the Internet under www.wagner-group.com/profi-guarantee.

The buyer's claim for liability for defects from the purchase agreement with the seller as well as statutory rights are not impaired by this guarantee.

We provide a guarantee in that we decide whether to replace or repair the product or individual parts, or take the device back and reimburse the purchase price. The costs for materials and working hours are our responsibility. Replaced products or parts become our property.

2. Guarantee period and registration

The guarantee period amounts to 36 months. For industrial use or equal wear, such as shift operations in particular, or in the event of rentals it amounts to 12 months.

Systems driven by petrol or air are also guaranteed for a 12 month period.

The guarantee period begins with the day of delivery by the authorised specialist shop. The date on the original purchase document is authoritative.

For all products bought in authorised specialist shops from 01.02.2009 the guarantee period is extended to 24 months providing the buyer of these devices registers in accordance with the following conditions within 4 weeks of the day of delivery by the authorised specialist shop.

Registration can be completed on the Internet under www.wagner-group.com/profi-guarantee.

The guarantee certificate is valid as confirmation, as is the original purchase document that carries the date of the purchase. Registration is only possible if the buyer is in agreement with having the data being stored that is entered during registration.

When services are carried out under guarantee the guarantee period for the product is neither extended nor renewed.

Once the guarantee period has expired, claims made against the guarantee or from the guarantee can no longer be enforced.