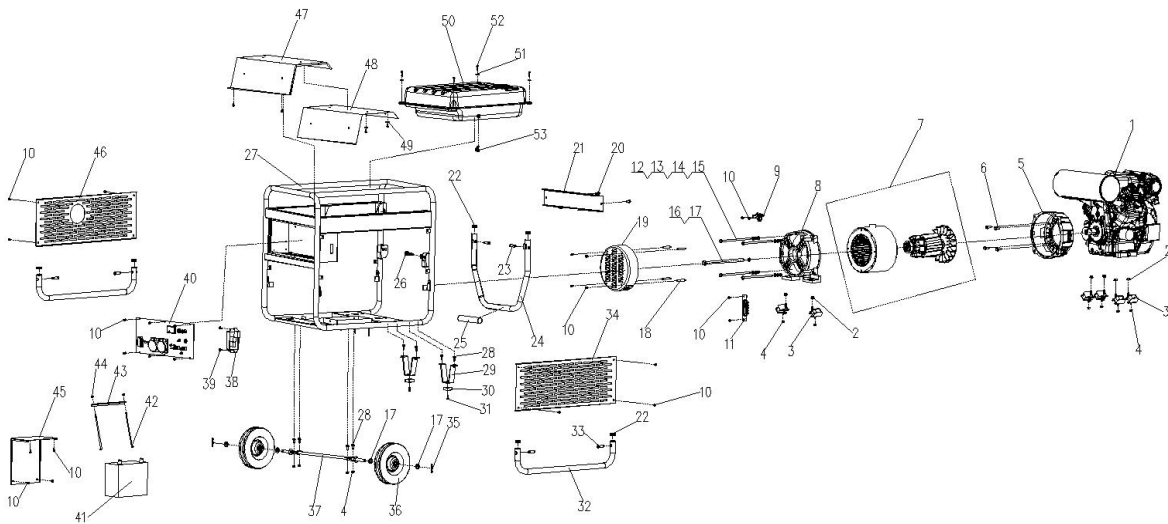


Explosive view for SC18000-ATS



NO.	Part Name	Description	QTY
1	Engine with muffler	GB1000/50HZ/3:16/20KW (3000RPM) / V / CE	1
2	Hexagon nut	M10*1.25/S=14/8.8	6
3	Shock pad	10KW/65/60±5/M8*1.25*18/M10*1.25*43	1
4	Hexagon nut	M8*1.25/S=13/8.8	20
5	End cover, Alternator	Φ270/10KW/146	1
6	Flange Bolt	M10*1.25/30/S=13/8.8	4
7	alternator component	15KW/220V/50HZ/ACY/270*180A/ROHS/270/0.5/3:16/GB1000/AL	1
8	carbon brush	Φ270/165/2-Φ12*44/214±44	1
9	Flange Bolt	270×180	2
10	Flange Bolt	M6*1/12/S=10/8.8	36
11	wiring terminal	270×180	1
12	Flange Bolt	M10*1.25/240/S=13/9.8	4
13	flat washer	Φ10.5*Φ20*1.5	4
14	Spring washer	Φ10.5/B93	4
15	Hexagon nut	M10*1.25/S=16/8.8/GB/T 6171/	4
16	Flange Bolt	M16*1.5/340/S=21/12.9	1
17	flat washer	Φ 17*Φ 30*2.5	1

18	support pillar	M6*12/Φ10*58/M6*15/45	4
19	End cover, Alternator	Φ 275*79/4- Φ 7.5	1
20	Flange Bolt	M8*1.25/16/S=10/8.8	2
21	housing separator	15KW/559.2*100/B8/2	1
22	Choke plug	Φ 32*Φ 26.6*11.5	6
23	Handle pin	M10*Φ 13.5*63/G7D6T80/250~280HB	2
24	Handle assembly	Φ 32/U/510*452/B8	1
25	Handle gum cover	Φ 31*Φ 39*200	1
26	handle components		1
26-1	Pin	AB80、319454	1
26-2	spring fastener	Φ 10.5*Φ 13.5*28/6/319452	1
26-3	handle components	Φ 28*Φ 6.5*20/PE/312016	1
26-4	Spring pad	Φ 5	1
26-5	Flange Bolt	M5*0.8/16/S=8/8.8	1
27	Frame assembly	15KW/ Φ 32/900*620*850/B8/GB1000/ Φ 270*180	1
28	Flange Bolt	M8*1.25/20/S=10/8.8	26
29	Supporter Components	U/140*66.8*122/2-M8*114/3/B8/Q235/10KW	2
30	Vibration damping pad	40*40*20	2
31	Flange Bolt	M6*1/20/S=8/8.8	2
32	Handle assembly	Φ 32/U/826*161/B8	2
33	Handle pin	M10*Φ 18*60/250~280HB	4
34	Guard Plate	290*833/1.5/B8/15KW	1
35	Locating pin lock clip	Φ 2*18	2
36	Wheel	10"/ Φ 16*68	2
37	axle	Φ 16*790/15KW	1
38	AVR	230/10KW/LH/AVR/ROHS/TT91A-7/	1

39	Flange Bolt	M6*1/16/S=8/8.8	2
40	Control Panel Assembly	15KW/230V/250V32A/1P-16A(1.15)/1P-32A(1.15)/1P-66A(1.15) /10001-02570-00	1
41	Battery	237*128*218/45Ah	1
42	Battery Mounting Bolt	6*215	2
43	Battery Holder	B4/15KW	1
44	Flange Nut	M6*1.0/S=10/8.8	2
45	battery heat shield	15KW/1.5/B8	1
46	Guard Plate	1.5/290*833/B8/15KW	1
47	Oil tank heat shield	1.5/B8/15KW	1
48	Heat Insulation Sponge	8/563*505/15KW	1
49	flat washer	Φ6.5*Φ18*1.6	4
50	fuel tank	15KW/4-Φ11*800*498/60L/RV(RAL3028)/0	1
51	Flange Bolt	M6*1/25/S=10/8.8	4
52	Oil Tank gasket	Φ6*Φ22*2	4
53	Fuel tank switch	φ12*2	1