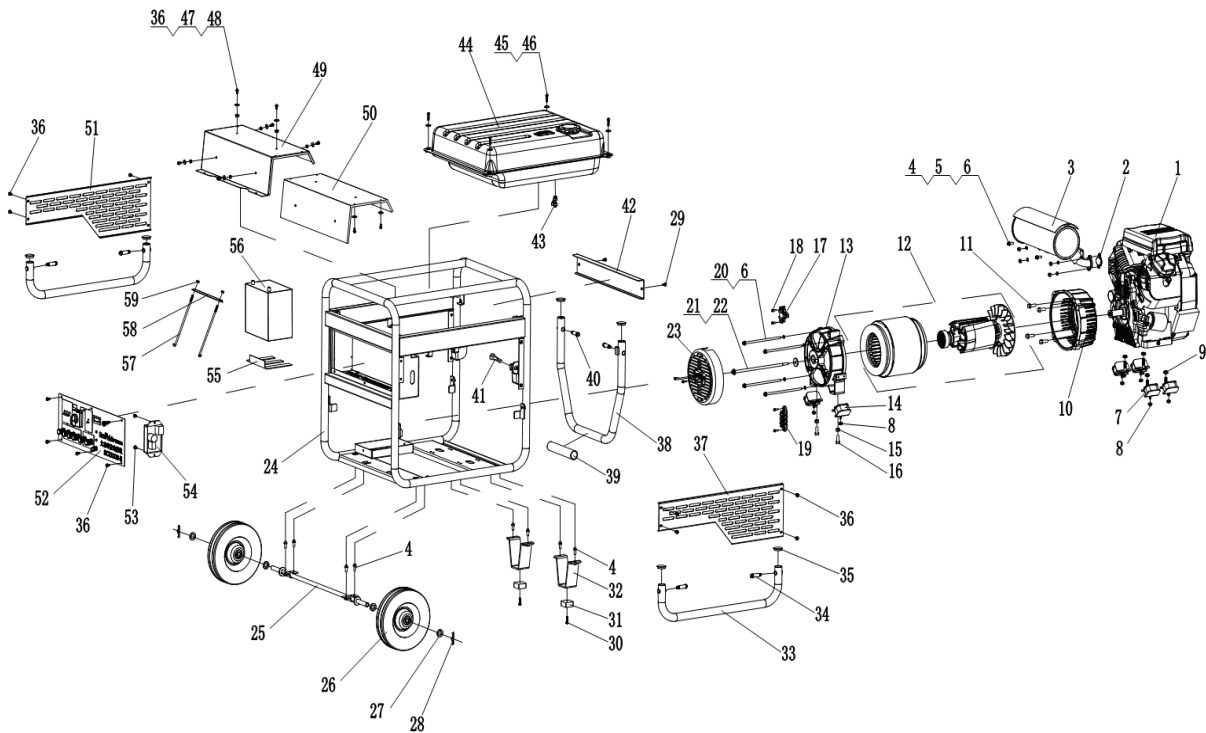


### Explosive view for SC13000-EVO-ATS



NO.	Part Name	Description	QTY
1	Engine	GB680/50HZ/V/ROHS/3:16	1
2	Muffler gasket	ZS2V78	2
3	Muffler	10KW/142, 156/LC2V78 47*1.2	1
4	Flange Bolt	M8*1.25/20/S=10/8.8	10
5	Hexagon nut	M8*P1.25/S=13/m=6.8/	4
6	Spring washer	Φ8.5	8
7	Shock pad	10KW 65mm, M8*1.25*18/M10*1.25*43	4
8	Flange Bolt	M8	6
9	Flange Bolt	M10×P1.25	4
10	alternator cover	Φ230/YL112/4-Φ11/4-M8/146/108	1
11	Flange Bolt	M10×30×P1.25	4
12	alternator component	10KW/220V380V/50HZ/ACY/230*160A/0.5/3:16	1

13	alternator supporter	230	1
14	Shock pad	10KW, 65mm, M8*1.25*18, /SA	2
15	Hexagon nut	M10*P1.25	2
16	Flange Bolt	M10×25×P1.25	2
17	carbon brush	230X160	1
18	Flange Bolt	M5×16×P0.8/S=8/8.8	6
19	wiring terminal	230X160	1
20	Hexagon flange bolt	M8*200*P1.25	4
21	Flange Bolt	M10×285×P1.25	1
22	flat washer	Φ 10× Φ 30×2.5	1
23	End cover, Alternator	230/SENCI	1
24	Frame assembly	10KW/ Φ 32/710*600*780/378/B4/2V78, Φ 230*160	1
25	axle	Φ 16*770/2-Φ 3/74/4-M8*492*45	1
26	Wheel	10"/ Φ 16*68	2
27	flat washer	Φ 17*Φ 30*2.5	4
28	Locating pin lock clip	Φ 2*18	2
29	Flange Bolt	M8×16×P1.25/S=10/8.8	2
30	Flange Bolt	M6*1/20/S=8/8.8	2
31	Vibration damping pad	40*40*20	2
32	Supporter Components	140*66.8*122/2-M8*114/3/B4/Q235/10KW	2
33	Handle assembly	Φ32*2/600*161/Φ17*Φ13.7*33	2
34	Handle pin	M10*Φ18*60/250~280HB	4
35	Choke plug	Φ32*Φ26.6*11.5	6
36	Flange Bolt	M6*1/12/S=10/8.8	26
37	Guard Plate	662*220/ST12	1
38	Handle assembly	Φ32*2/U/490*426/B4/Φ17*Φ13.7*33	1
39	Handle gum cover	Φ 31*Φ 39*200	1

40	Handle pin	M10*Φ13.5*63/G7D6T80/250~280HB	2
41	handle components		1
41-1	Pin	AB80、319454	1
41-2	spring fastener	Φ10.5*Φ13.5*28/6/319452	1
41-3	handle components	Φ28*Φ6.5*20/PE/312016	1
41-4	Spring pad	Φ5	1
41-5	Flange Bolt	M5*0.8/16/S=8/8.8	1
42	housing separator	10KW 496/540.3*60*15/B4/2-Φ8	1
43	Fuel tank switch	φ 12*2	1
44	fuel tank	LD-045/10KW/4- Φ 11*630*498/45L/0	1
45	Flange Bolt	M6*1/25/S=10/8.8	4
46	Oil Tank gasket	Φ 6*Φ 22*2	4
47	flat washer	Φ 6.5*Φ 18*1.6	10
48	Nylon nut	M6*P1/S=10	6
49	Oil tank heat shield	10KW/2-Φ9*416/6-Φ8*320/1.5/B4	1
50	Heat Insulation Sponge	540*410*8	1
51	Guard Plate	662*220/ST12	1
52	Control Panel Assembly	10KW/SC13000E-III (ATS) /230V/250V32A/1P-44A (1.15) /32A/ROHS/ATS/	1
53	Flange Bolt	M6*1/16/S=8/8.8	2
54	AVR	/230/10KW/LH/AVR/ROHS/TT91A-7/	1
55	Rubber	130*30*2.5	3
56	Battery	12V.36Ah/UL/CE/6-QW-36	1
57	Battery Mounting Bolt	6*215/CPG6600E	2
58	Battery Holder	240*16/2-Φ6/212/B4/L	1
59	Flange Nut	M6*1.0/S=10/8.8	2