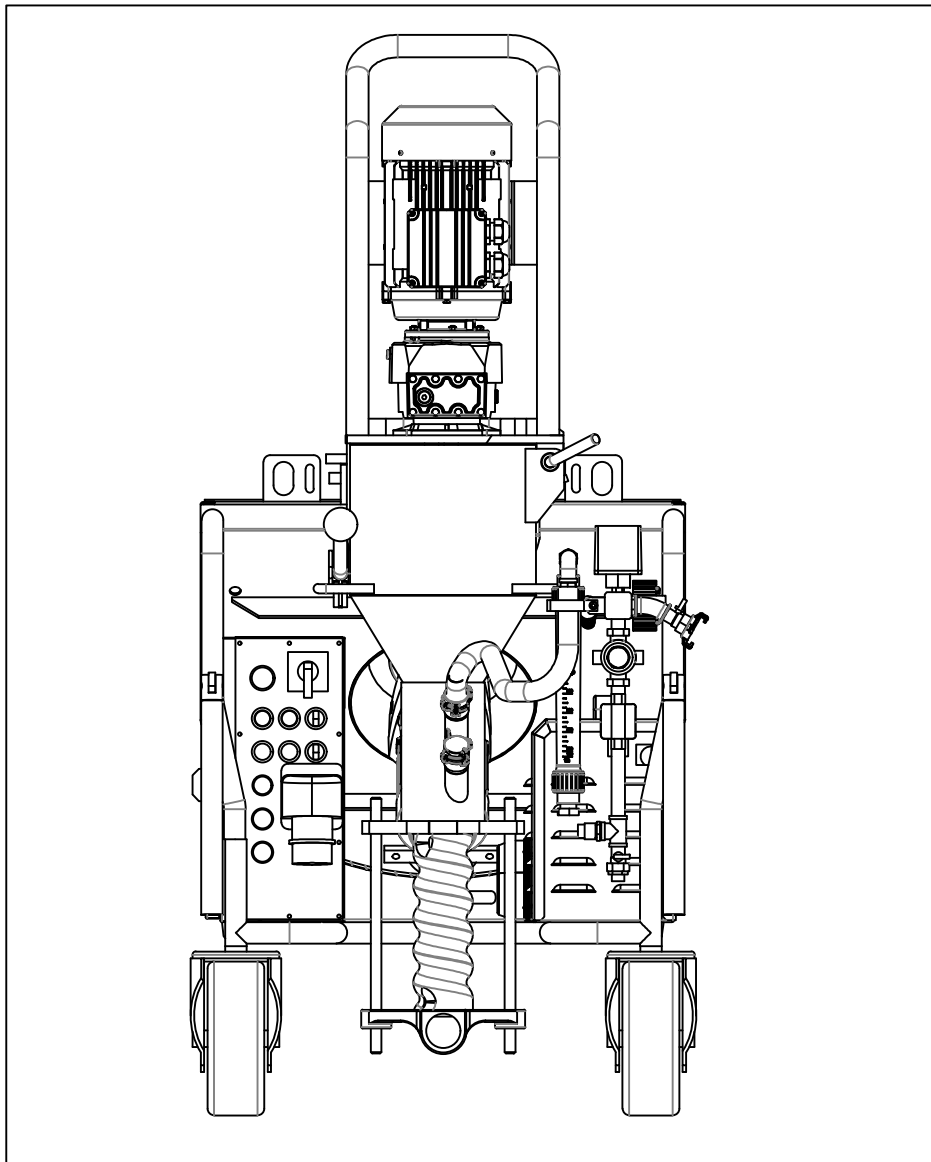
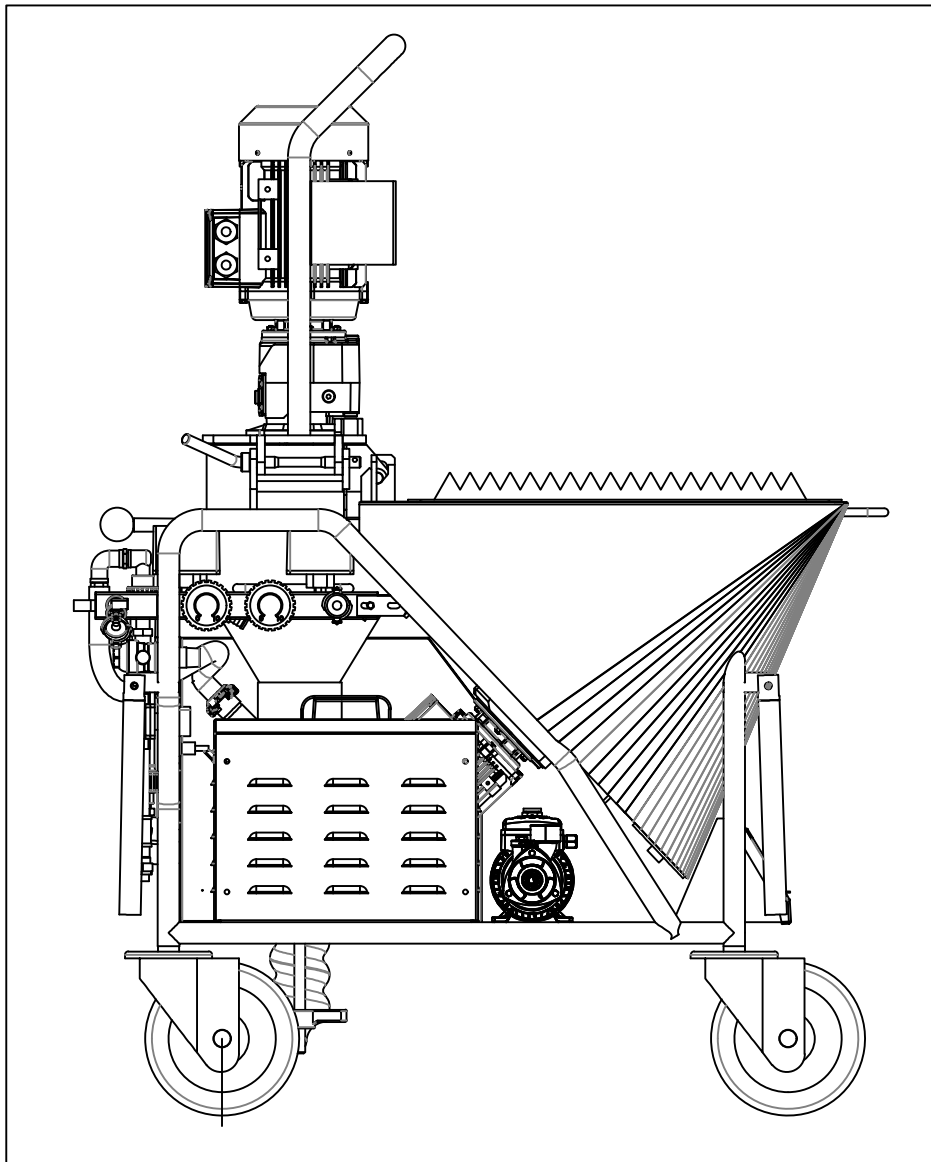


MACHINE	PLASTER MACHINE
MODEL	PCS-K35
CODE	BT1008758 (220V)



	DESCRIPTION
1	Chassis Group
2	Drum Mixer Group
3	Air and Water Group
4	Mikser Group
5	Electrical schemes

MACHINE	PLASTER MACHINE
MODEL	PCS-K35
CODE	BT1008758 (220V)

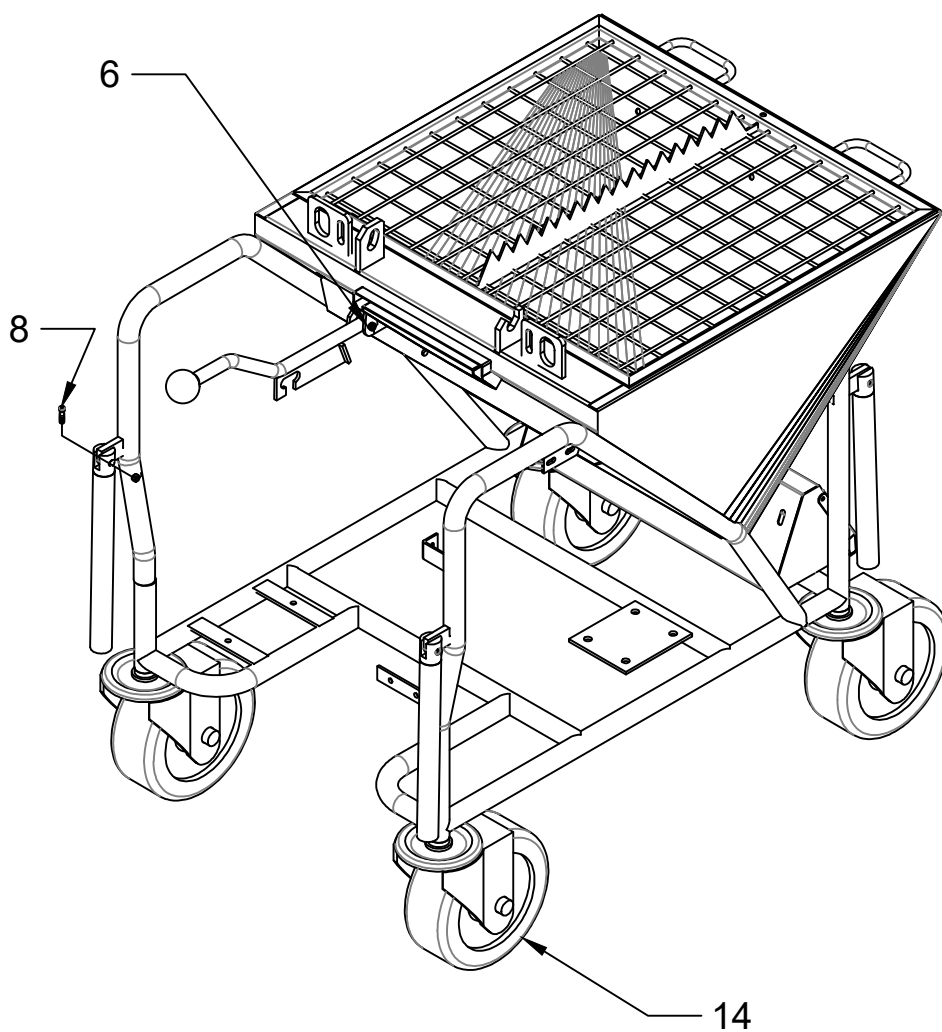


	DESCRIPTION
1	Chassis Group
2	Drum Mixer Group
3	Air and Water Group
4	Mikser Group
5	Electrical schemes

1a

PLASTER MACHINE

Chassis Group

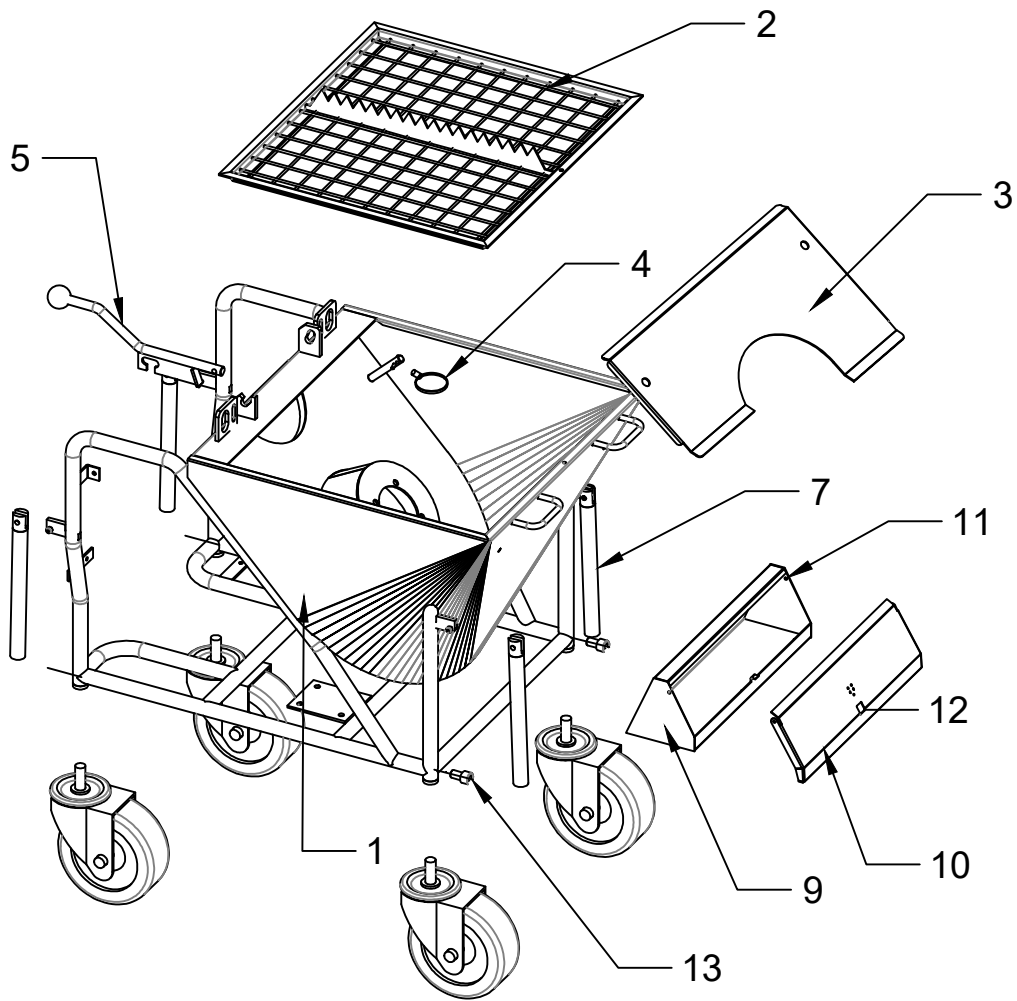


Rev. 01_001

1b

PLASTER MACHINE

Chassis Group

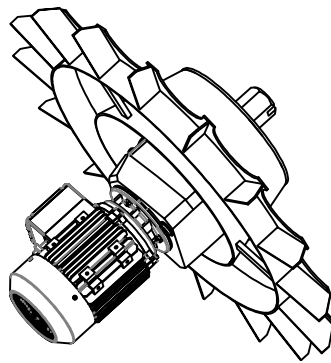
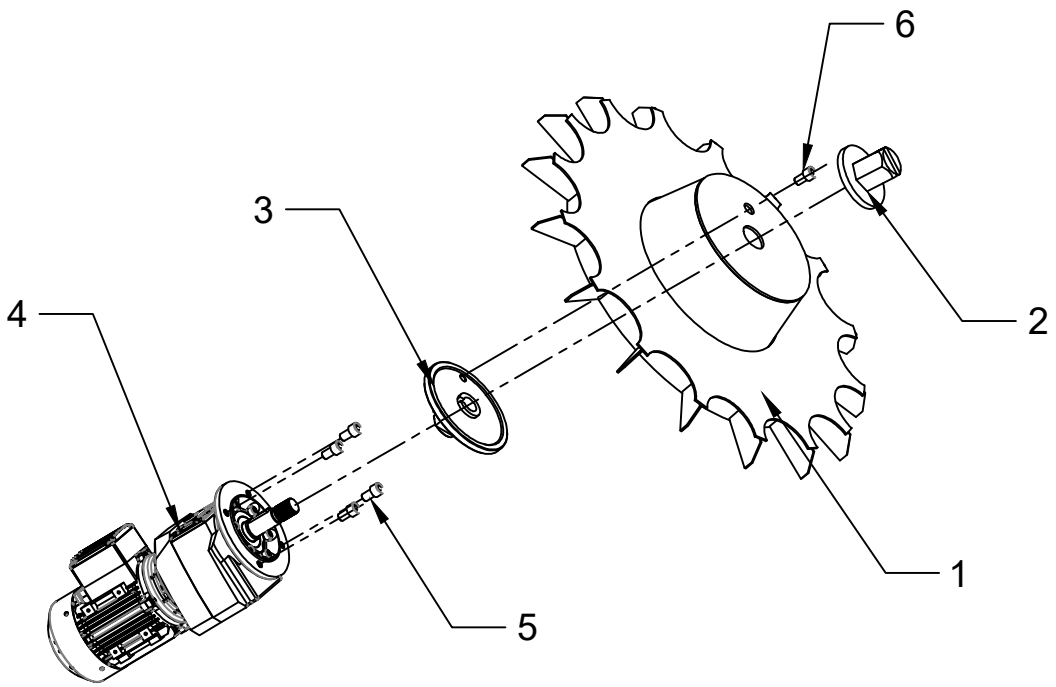


Rev. 01_001

2a

PLASTER MACHINE

Drum Mixer Group

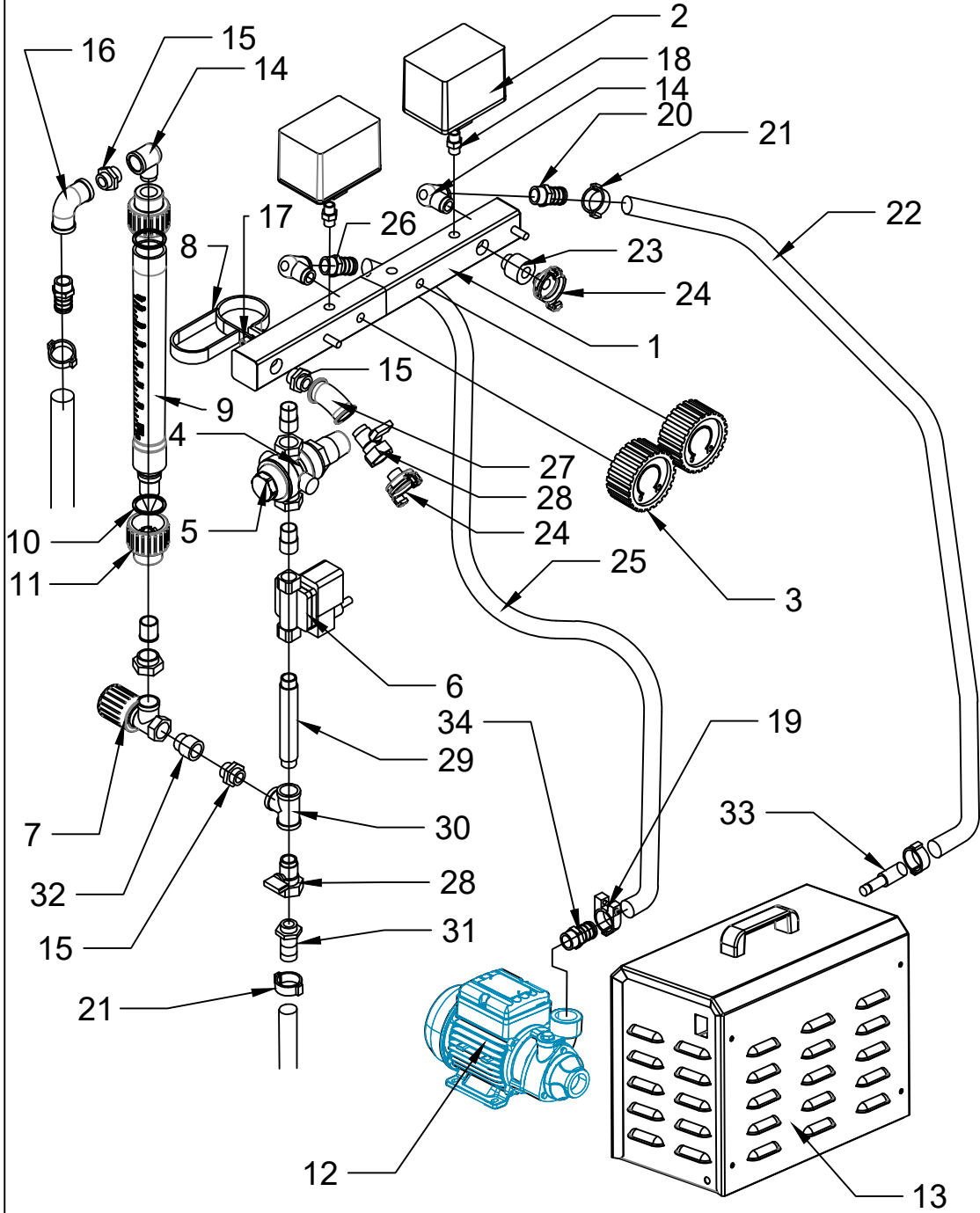


Rev. 01_001

3a

PLASTER MACHINE

Air and Water Group



Rev. 01_001

3b

PLASTER MACHINE

Air and Water Group

MACHINE CHASSIS

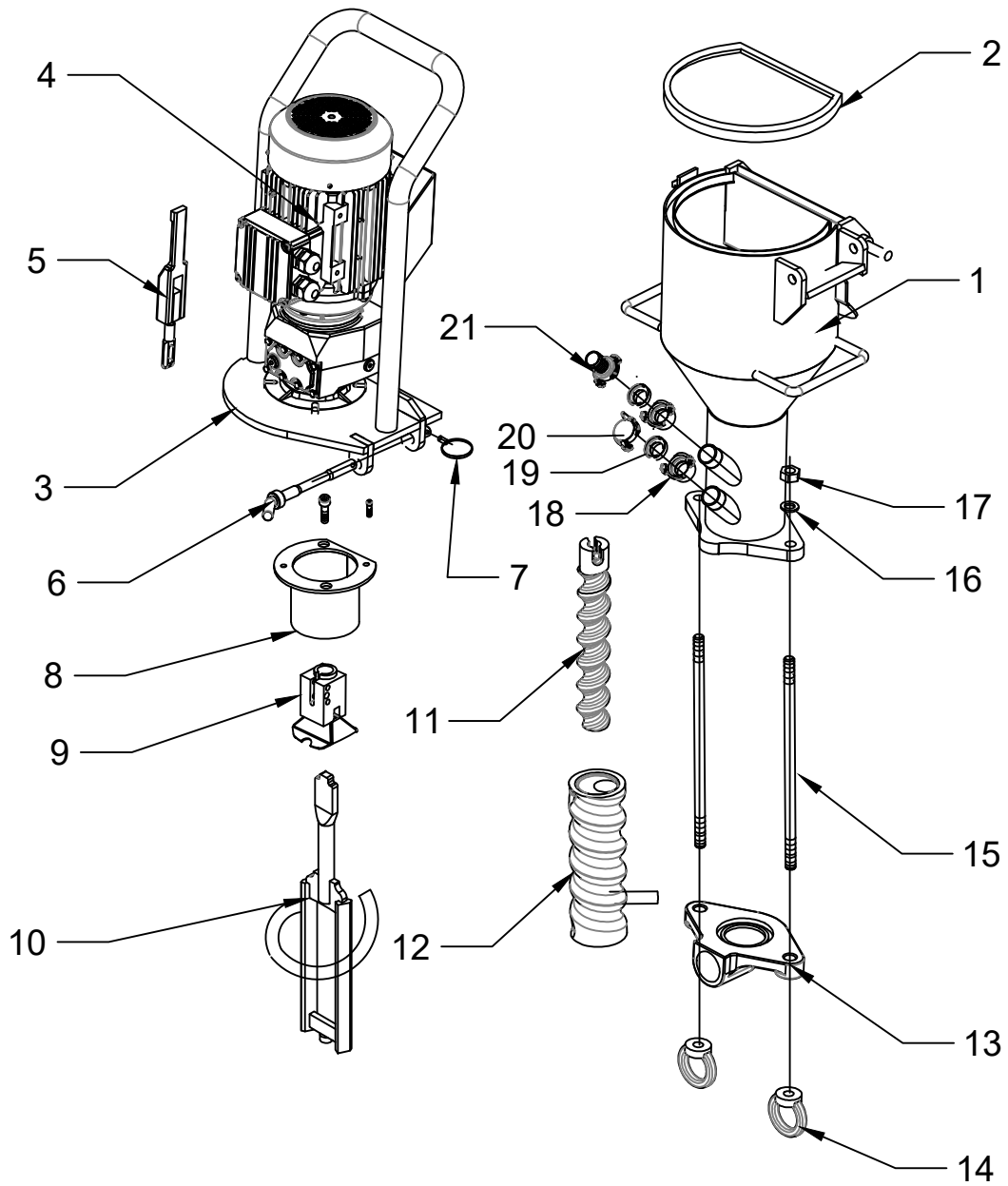
1	BLK0002	Water and Air Block	
2	BSA0011	Pressure Switch	
3	BAS0011	Manometer	10 bar
4	REG1004	Pressure Regulator	
5	KAP0067	Pres. Regulator Lid	
6	VAL1005	Solenoid Valve	
7	DBO0052	Valve For Flow Mater	
8	DBO0050	Flow Meter Ring	
9	DBO0047	Flow Meter Pipe	
10	ORG001	Flow Meter oring	28x4mm
11	DBO0049	Flow Meter Nut	
12	SUP0011	Water Pump	
13	SUP0011	Air Compressor	
14	DSK008	1/2" elbow	
15	NPL002	1/2" nipple	
16	DSK010	1/2" 90 elbow	
17	CVT0018	Flowmeter ring bolt	imbus M8x25mm end M8 nut
18	NPL005	3/8" nipple	
19	HOR0054	Hose Clip	25x27mm
20	RKO003	1/2 Hose record	
21	HOR0055-1	Ø15 clamp CYBANT	13x16mm
22	HOR0049	Ø13 Air hose	
23	UZK004	1/2"x2cm elbow	
24	KAP0062	Claw Coupling 1/2"	
25	HOR0050	Ø19 Air hose	

Rev. 01_001

4a

PLASTER MACHINE

Mikser Group



Rev. 01_001

4b

PLASTER MACHINE

Mikser Group

MACHINE CHASSIS

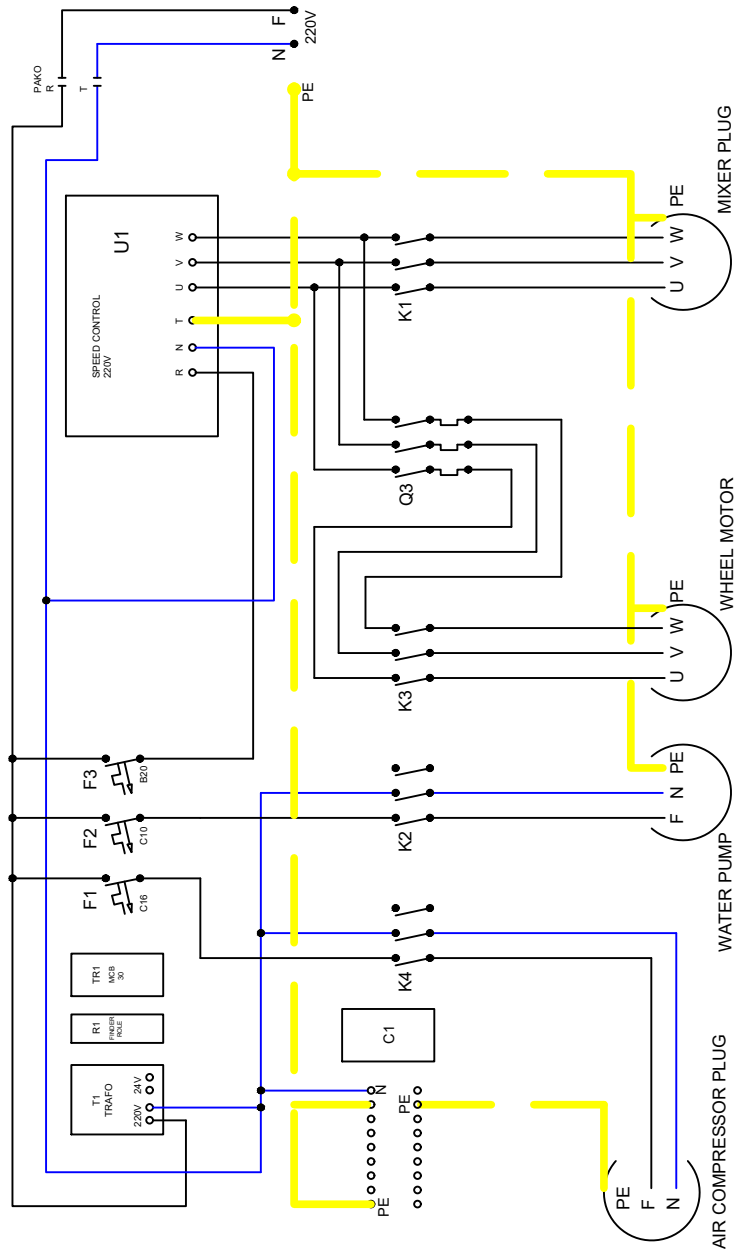
1	MIX0002	Mixing Tube	
2	MIX0003	Mixing Tube Gasket	
3	MIX0001	Mixer Motor Holder	
4	MIM0008	Mixer Motor	
5	MIX0005	Mount Lock	
6	MIX0004	Tube Stabilizing Pin	
7	STR0004	Dust Plate Pin	6mm
8	SKA0057	Motor Coupling Protec.	
9	SKA0053	Motor Coupling	
10	SKA0052	Mixing Shaft Standart	
11	RD6M001	D6-Mono Rotor	
12	SD6M001	D6-Mono Stator	
13	MTM0030	Pump Unit Flang	Standart Model
14	FTR0002	Q Ring Nut	M16
15	SPA0001	Tie Rods	M16 L=360mm
16	SPA0001	Tie Rods	Nut 17x30MM
17	SPA0001	Tie Rods	M16 nut
18	KAP0061	Claw Coupling 1"	
19	KAP0073	Claw Coupling Seal	
20	KAP0065	Blind end Cap	
21	KAP0070	Claw Coupling Tail 1"	

Rev. 01_001

5a

PLASTER MACHINE

Electrical schemes 220V



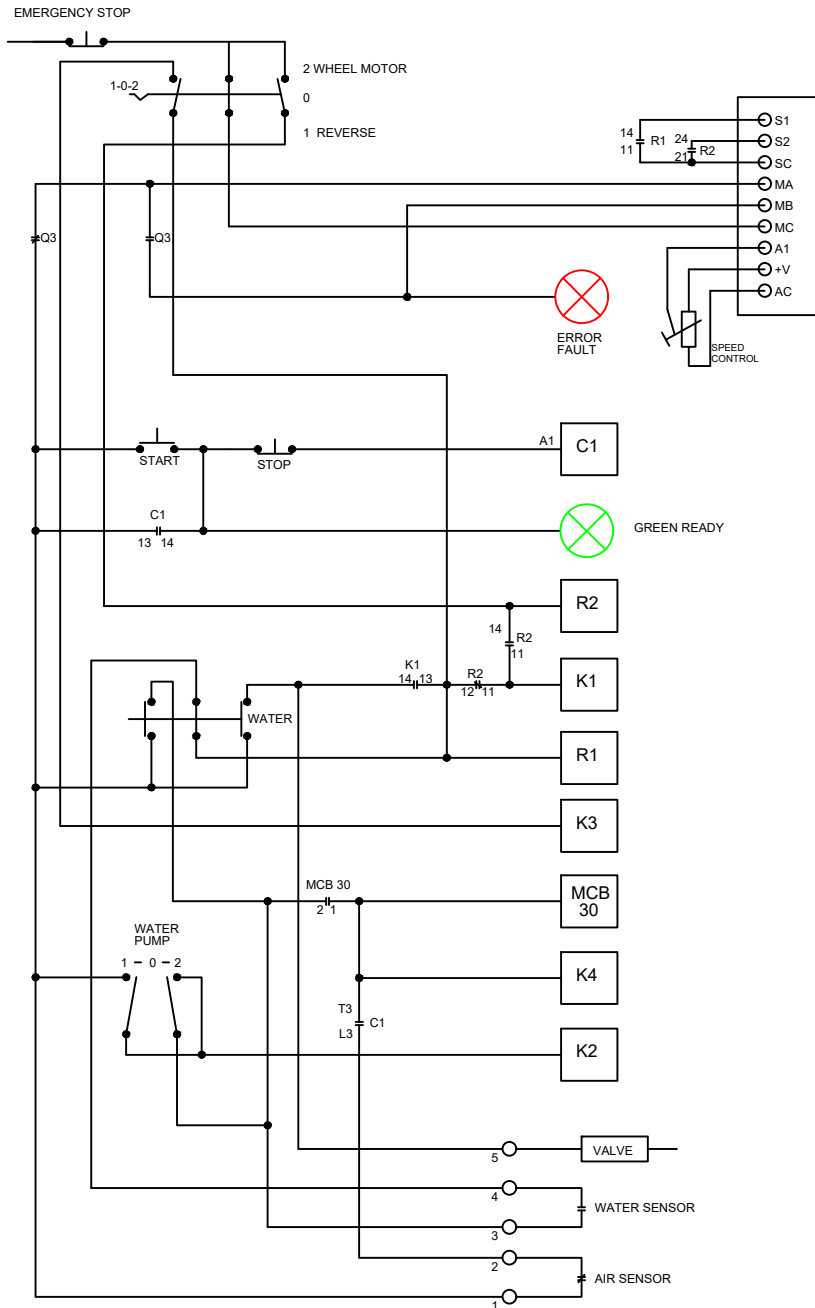
Rev. 01_001

MONO 220V
REV: 01_001

5b

PLASTER MACHINE

Electrical schemes 24V



Rev. 01_004