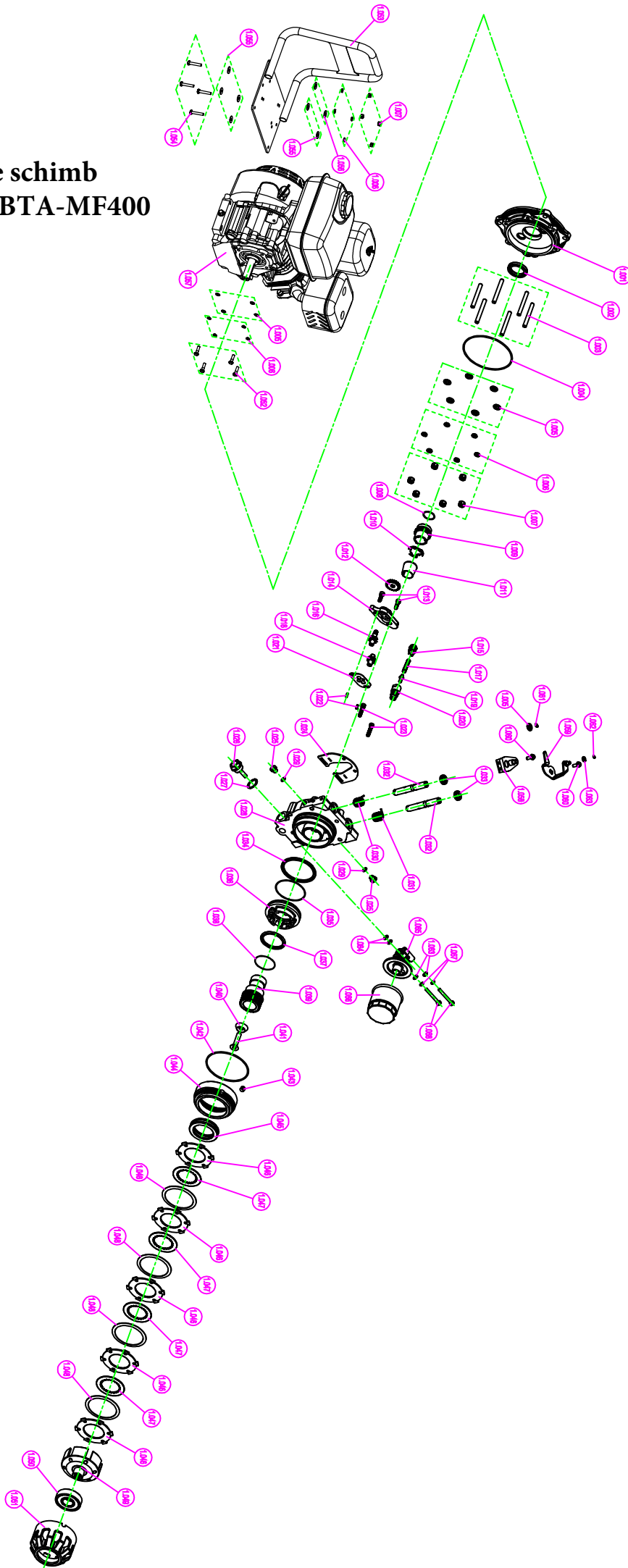
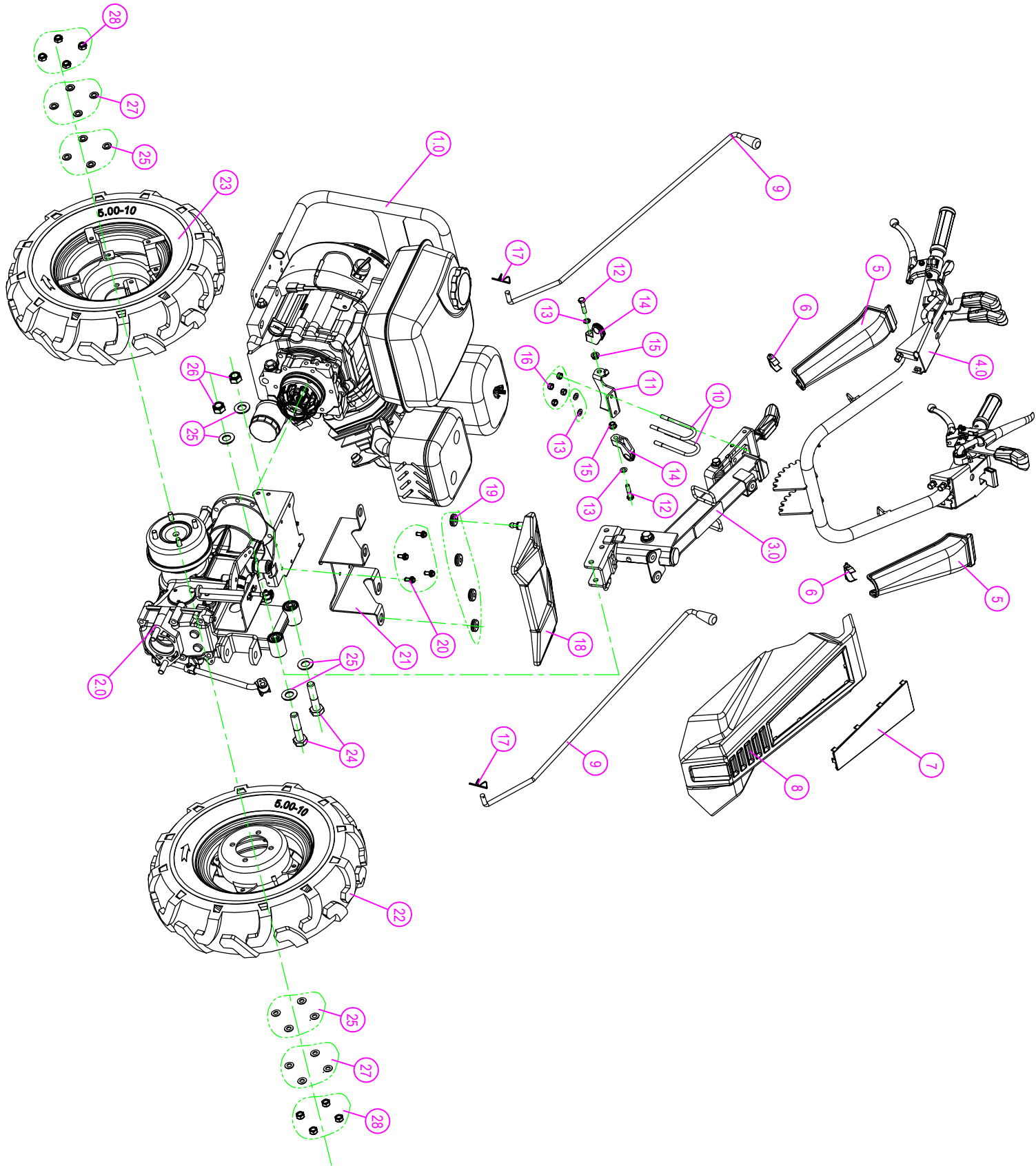
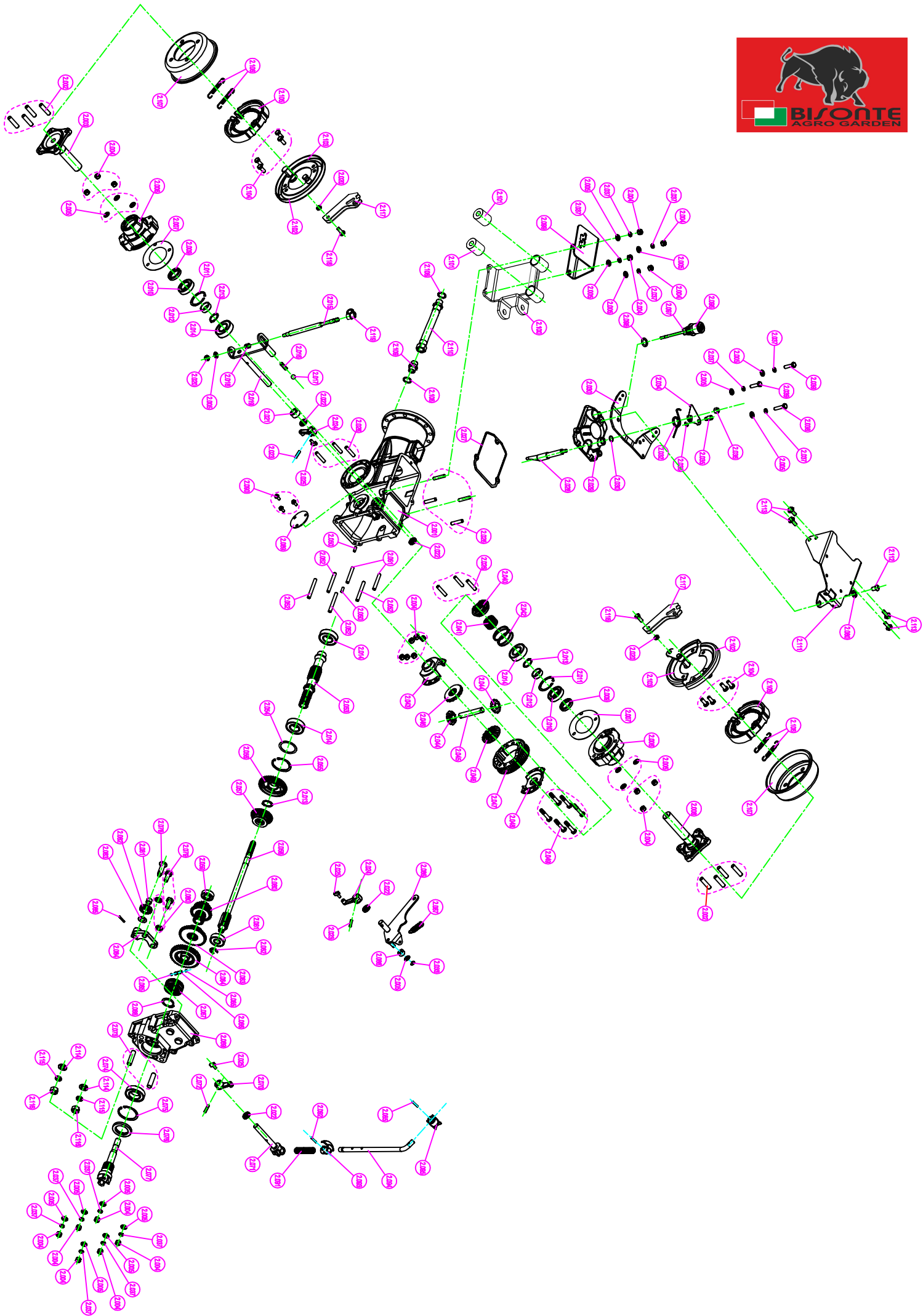


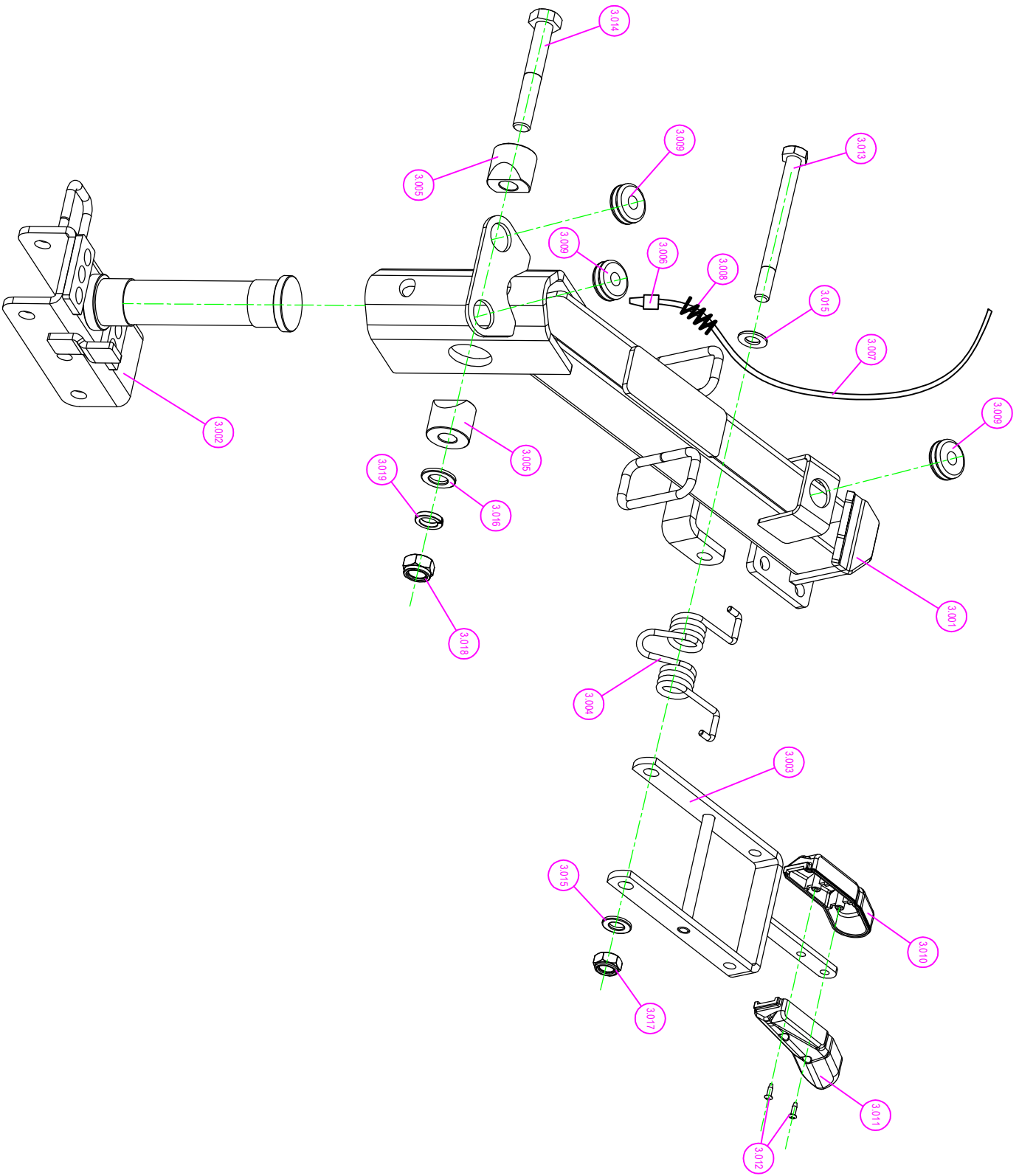


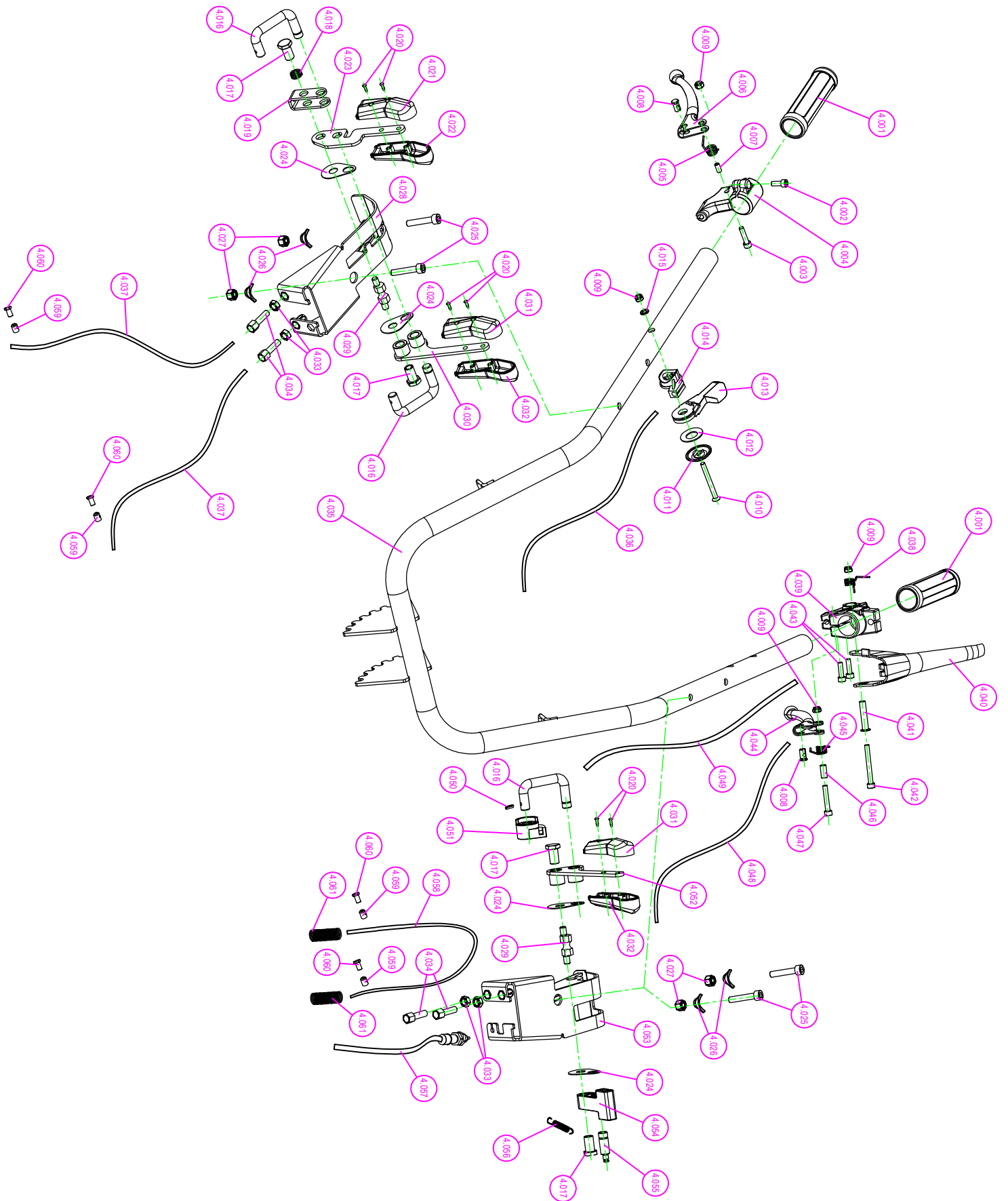
Explozie piese de schimb Multifunctional BTA-MF400













1			1,0	1	
2	ADC12	MF400.01-01	1,001	1	201813055
3	D47×d35×7	GB/T9877.1-1988	1,002	1	G05029FX
4	M8×60 (72)	GB/T899-1988 8.8	1,003	6	G01448
5	D115×d2.65	GB/T3452.1-2005	1,004	1	G05033
6	D8	GB/T95-2002	1,005	11	G02003B
7	D8	GB/T93-1987	1,006	14	G03002H
8	M8	GB/T41-2000	1,007	10	G04012B
9	D25×d2.65	GB/T3452.1-2005	1,008	1	G05054
10	20CrMnTi	MF400.01-02-03	1,009	1	201813059
11	45#	MF400.01-02-04	1,010	1	201813060
12	45#	MF400.01-08-02	1,011	1	201813093
13	20CrMnTi	MF400.01-02-05	1,012	1	201813061
14	M6×20	GB/T70.1-2008	1,013	2	G01024H
15	20#	MF400.01-02-01	1,014	1	201813057
16	45#	MF400.01-02-08-04	1,015	1	201813068
17	20CrMnTi	MF400.01-02-06	1,016	1	201813062
18	65Mn	MF400.01-02-08-03	1,017	1	201813067
19	20CrMnTi	MF400.01-02-07	1,018	1	201813063
20	45#	MF400.01-02-08-02	1,019	1	201813066
21	45#	MF400.01-02-08-01	1,020	1	201813065
22	45#	MF400.01-02-02	1,021	1	201813058
23	D4×10	GB/T119.1-2000	1,022	2	G11018
24	M6×30	GB/T70.1-2008	1,023	2	G01150H
25	Q235-A	MF400.01-02-14	1,024	1	201813074
26	M10×1×10	GB/T5789-1986	1,025	2	G01462H
27	40Cr	MF400.01-02-16	1,026	1	201813076
28	D22	非标	1,027	1	201813146
29	ADC12	MF400.01-02	1,028	1	201813056
30	D10	非标	1,029	2	201813147
31	65Mn	MF400.01-02-12	1,030	1	201813072
32	65Mn	MF400.01-02-13	1,031	1	201813073
33	40Cr	MF400.01-02-09	1,032	2	201813069
34	D22×d14×4	GB/T9877.1-1988	1,033	2	G05030FX
35		MF400.01-02-22	1,034	1	201813082
36	D75×d3.5	GB/T3452.1-2005	1,035	1	G05037
37	ADC12	MF400.01-02-18	1,036	1	201813078
38	橡塑	MF400.01-02-21	1,037	1	201813081
39	D54×d3.5	GB/T3452.1-2005	1,038	1	G05036
40	20CrMnTi	MF400.01-08-01	1,039	1	201813092
41	45#	MF400.01-08-03	1,040	1	201813094



42	3/8-24×38	GB/T70.3-2008	1,041	1	G01426H
43	D95×d2.65	GB/T3452.1-2005	1,042	1	G05034
44	45#	MF400.01-02-20	1,043	1	201813080
45	40Cr	MF400.01-02-19	1,044	1	201813079
46	D70×d50×14	GB/T301-1995	1,045	1	G08114
47	65Mn	MF400.01-07-03	1,046	5	201813091
48	65Mn	MF400.01-07-01	1,047	4	201813089
49	65Mn	MF400.01-07-02	1,048	4	201813090
50	20CrMnTi	MF400.01-07	1,049	1	201813088
51	D62×d25×17	GB/T292-2007	1,050	1	G08111
52	ADC12	MF400.01-02-23	1,051	1	201813083
53	M8×30	GB/T5782-2000	1,052	4	G01045H
54	Q235-A	MF400.00-01	1,053	1	201813173
55	M8×45	GB/T5782-2000	1,054	4	G01123H
56	D20×d8.5×2	GB/T96.2-2002	1,055	6	G02014B
57	D28×d8.5×3	GB/T5287-2002	1,056	2	G02010B
58	15HP/3600RPM	G420F	1,057	1	G19005A
59	Q235-A	MF400.01-02-10	1,058	1	201813070
60	Q235-A	MF400.01-02-11	1,059	1	201813071
61	M6×16	GB/T5789-1986	1,060	2	G01435H
62	D8×0.8	GB/T894.1-1986	1,061	1	G09005
63	D6×0.6	GB/T894.1-1986	1,062	1	G09004
64	D6	GB/T95-2002	1,063	3	G02008B
65	D9×d1.8	GB/T3452.1-2005	1,064	2	G05050
66	ADC12	MF400.01-02-24	1,065	1	201813130
67		B6Y1-14-302	1,066	1	201813131
68	D6	GB/T93-1987	1,067	2	G03003H
69	M6×55	GB/T5782-2000	1,068	2	G01459H
70			2,0	1	
71	ADC12+45#	MF400.01-03	2,001	1	201813084
72	M10×30 (40)	GB/T897-1988 8.8	2,002	8	G01450
73	20CrMnTi	MF400.01-15-01	2,003	1	201813122
74	M8	GB/T41-2000	2,004	22	G04012B
75	D8	GB/T95-2002	2,005	21	G02003B
76	ADC12	MF400.01-06	2,006	2	201813087
77		MF400.01-06-01	2,007	2	201813128
78	20CrMnTi	MF400.01-15-02	2,008	1	201813123
79	D40×d30×7	GB/T9877.1-1988	2,009	2	G05031FX
80	D42×d25×12	GB/T276-1994	2,010	2	G08017HRB
81	D47×1.8	GB/T893.1-1986	2,011	2	G10008
82	45#	MF400.01-15-03	2,012	2	201813124
83	D25×1.2	GB/T894.1-1986	2,013	3	G09016
84	D52×d25×15	GB/T276-1994	2,014	4	G08023HRB



85	45#	MF400.01-05-04	2,015	1	201813150
86	65Mn	MF400.01-05-05	2,016	1	201813151
87	D12	MF400.01-05-06	2,017	1	201813152
88	65Mn	MF400.01-05-03	2,018	1	201813149
89	组合件	MF400.01-05-01	2,019	1	201813144
90	M8	GB/T889.1-2000	2,020	3	G04005B
91	Q235	MF400.01-05-02	2,021	1	201813148
92	D22×d14×4	GB/T9877.1-1988	2,022	4	G05030FX
93	D6×25	GB/T879.4-2000	2,023	2	G11020
94	20#	MF400.01-13-01	2,024	2	201813110
95	45#	MF400.01-13-03	2,025	3	201813112
96	M8×24 (40)	GB/T900-1988 8.8	2,026	10	G01452
97		MF400.01-04-01	2,027	1	201813176
98	45#	MF400.01-13-04	2,028	1	201813113
99	ADC12	MF400.01-04	2,029	1	201813085
100	D14×d1.8	GB/T3452.1-2005	2,030	1	G05038
101	Q235	MF400.01-19	2,031	1	201813160
102	65Mn	MF400.01-13-07	2,032	1	201813116
103	D7	GB/T896-1986	2,033	2	G18004
104	Q235-A	MF400.01-13-05	2,034	1	201813114
105	Q235	MF400.01-13-06	2,035	1	201813115
106	M8	GB/T6183.1-2000	2,036	1	G04018B
107	D8	GB/T93-1987	2,037	13	G03002H
108	M8×35	GB/T5782-2000	2,038	1	G01047H
109	M8×30	GB/T5782-2000	2,039	2	G01045H
110	20CrMnTi	MF400.01-15-05	2,040	1	201813126
111	20CrMnTi	MF400.01-15-04	2,041	1	201813125
112	65Mn	MF400.01-15-06	2,042	1	201813127
113	20CrMnTi	MF400.01-14-01	2,043	1	201813117
114	20CrMnTi	MF400.01-14-04	2,044	2	201813120
115	40Cr	MF400.01-14-05	2,045	1	201813121
116	20CrMnTi	MF400.01-14-03	2,046	2	201813119
117	ZCuSn10Pb1	MF400.01-12-02	2,047	1	201813108
118	20CrMnTi	MF400.01-14-02	2,048	1	201813118
119	M8×40 (5mm)	GB/T70.1-2008 12.9	2,049	6	G01463
120	D6×16	GB/T119.1-2000	2,050	2	G11009
121	M8×45 (57)	GB/T900-1988 8.8	2,051	2	G01453
122	M8×56 (68)	GB/T900-1988 8.8	2,052	4	G01451
123	20CrMnTi	MF400.01-12-01	2,053	1	201813107
124	D52×d42×1	A40STJ.00.01-15	2,054	1	201112004
125	D52×2	GB/T893.1-1986	2,055	1	G10009
126	20CrMnTi	MF400.01-09-02	2,056	1	201813096
127	20CrMnTi	MF400.01-09-03	2,057	1	201813097



128	20CrMnTi	MF400.01-09-01	2,058	1	201813095
129	D35×d15×11	GB/T276-1994	2,059	1	G08109HRB
130	20CrMnTi	MF400.01-10-05	2,060	1	201813102
131	D42×d15×13	GB/T276-1994	2,061	1	G08112HRB
132	D12	GB/T896-1986	2,062	1	G18001
133	20CrMnTi	MF400.01-10-04	2,063	1	201813101
134	20CrMnTi	MF400.01-10-03	2,064	1	201813100
135	D6.35	MF400.01-10-07	2,065	2	201813137
136	65Mn	MF400.01-10-06	2,066	1	201813136
137	20CrMnTi	MF400.01-10-02	2,067	1	201813099
138	D30×2	GB/T894.1-1986	2,068	1	G09025
139	ADC12	MF400.01-05	2,069	1	201813086
140	20#	MF400.01-13-02	2,070	1	201813111
141	45#	MF400.01-10-08	2,071	1	201813138
142	D6×22	GB/T879.4-2000	2,072	1	G11019
143	M12×30 (总长48)	GB/T899-1988 10.9级	2,073	2	G01449
144	D55×d30×13	GB/T276-1994	2,074	1	G08110HRB
145	D55×2	GB/T893.1-1986	2,075	1	G10013
146	D55×d38×7 (氟橡胶)	GB/T9877.1-1988	2,076	1	G05032FX
147	20CrMnTi	MF400.01-10-01	2,077	1	201813098
148	20CrMnTi	MF400.01-11-03	2,078	1	201813105
149	M10×25	GB/T5782-2000	2,079	2	G01050H
150	D10	GB/T95-2002	2,080	3	G02002B
151	K12×15×10	JB/T7918-1997	2,081	1	G08113
152	20CrMnTi	MF400.01-11-01	2,082	1	201813103
153	GCr15	MF400.01-11-04	2,083	1	201813106
154	45#	MF400.01-11-02	2,084	1	201813104
155	D4×25	GB/T879.4-2000	2,085	2	G11021
156	组合件	MF400.01-18	2,086	1	201813155
157	65Mn	MF400.01-20	2,087	1	201813161
158	Q235	MF400.01-18-04	2,088	1	201813155D
159	Q235-A	MF400.01-03-02	2,089	1	201813129
160	M6×12	GB/T5782-2000	2,090	3	G01008H
161	65Mn	MF400.01-10-10	2,091	1	201813140
162	D4×20	GB/T879.1-2000	2,092	1	G11001
163	PA6-GF30	MF400.01-10-11	2,093	1	201813141RAL3000
164	Q235	MF400.01-10-09	2,094	1	201813139
165	PA6-GF30	MF400.01-05-08	2,095	1	201813154
166	PA6-GF30	MF400.01-17-01	2,096	1	201813132A
167	PA6-GF30+45#	MF400.01-17-02	2,097	1	201813132B
168	D17 (内径) ×d4	GB/T3452.1-2005	2,098	1	G05040
169	Q235-A	MF400.01-05-07	2,099	1	201813153
170	Q235-A	MF400.00-07	2,100	1	201813174



171		MF400.00-24	2,101	2	201813175
172	Q235-A	MF400.01-23-01	2,102	2	201813163
173	Q235-A	MF400.01-23-02	2,103	2	201813164
174	M8×20	GB/T5782-2000	2,104	8	G01005H
175	组合件	MF400.01-23-04	2,105	(2付)	201813166
176	65Mn	MF400.01-23-05	2,106	4	201813167
177	45#	MF400.01-23-03	2,107	2	201813165
178	D18	非标	2,108	2	201813145
179		MF400.01-02-26	2,109	1	201813143
180		MF400.01-02-25	2,110	1	201813142
181	Q235A	MF400.00-16	2,111	1	201813172A
182	M10×15	GB/T70.2-2008	2,112	1	G01427H
183	M8×20	GB/T5789-1986	2,113	4	G01059H
184	D24×d13×3	GB/T95-2002	2,114	2	G02046B
185	D12	GB/T93-1987	2,115	2	G03006H
186	M12	GB/T6170-2000	2,116	2	G04009B
187	Q235-A	MF400.00-20	2,117	2	201813051
188	M8×25	GB/T5782-2000	2,118	2	G01004H
189	PA6-GF30	MF400.00-10	2,119	1	201813042
190			3,0	1	
191	Q235-A	MF400.00-23	3,001	1	201813027
192	Q235-A	MF400.00-02	3,002	1	201813028
193	Q235-A	MF400.00-05	3,003	1	201813029
194	65Mn	MF400.00-06	3,004	1	201813030
195	Q235-A	MF400.00-03	3,005	2	201813031
196	20CrMnTi	MF400.02-31	3,006	1	201813032
197		MF400.02-33	3,007	1	201813033
198	65Mn	MF400.02-32	3,008	1	201813034
199	丁晴橡胶	MF400.00-11	3,009	3	201813035
200	PA6-GF30	MF400.02-23A	3,010	1	201813014
201	PA6-GF30	MF400.02-23B	3,011	1	201813015
202	ST3×12-C	GB/T845-1985	3,012	2	G01228H
203	M10×110	GB/T5782-2000	3,013	1	G01414H
204	M12×80	GB/T5782-2000	3,014	1	G01415H
205	D10	GB/T95-2002	3,015	2	G02002B
206	D12	GB/T95-2002	3,016	1	G02001B
207	M10	GB/T889.1-2000	3,017	1	G04004B
208	M12	GB/T889.1-2000	3,018	1	G04016B
209	D12	GB/T93-1987	3,019	1	G03006H
210			4,0	1	
211	橡塑	MF400.02-02	4,001	2	201813002
212	M6×16	GB/T70.1-2008	4,002	1	G01010H
213	M6×25	GB/T70.1-2008	4,003	1	G01011H



214	ZL104 (D28.5)	DGN360.08.00B	4,004	1	201813025
215	60Si2MnA	DGN360Z.04-04	4,005	1	201102120
216	Q235-A	ZST.13-01	4,006	1	201133006
217	D7.9×d6.6×12	DGN360.08-01	4,007	1	201101018
218	Q235-A	MF400.00-26	4,008	2	201813044
219	M6	GB/T889.1-2000	4,009	4	G04006B
220	M6×65	GB/T70.3-2008	4,010	1	G01131H
221	PA6-GF30	DGN360Z.03.00-03	4,011	1	201102132
222	65Mn	DGN360Z.03.00-02	4,012	1	201102133
223	PA6-GF30	DGN360Z.03.00-01	4,013	1	201102134
224	PA6-GF30	DGN360Z.03.00-00	4,014	1	201102135
225	D6	GB/T95-2002	4,015	1	G02008B
226	Q235-A	MF400.02-05	4,016	3	201813006
227	45#	MF400.02-08	4,017	4	201813011
228	65Mn	MF400.02-17	4,018	1	201813013
229	Q235-A	MF400.02-09	4,019	1	201813008
230	ST3×12-C	GB/T845-1985	4,020	6	G01228H
231	PA6-GF30	MF400.02-23B	4,021	1	201813015RAL3000
232	PA6-GF30	MF400.02-23A	4,022	1	201813014RAL3000
233	Q235-A	MF400.02-12	4,023	1	201813009
234	65Mn	MF400.02-07	4,024	4	201813010
235	M8×45 (盘头直径<D14)	GB/T70.2-2008	4,025	4	G01020H
236	65Mn	T250BR-27	4,026	4	201102118
237	M8	GB/T889.1-2000	4,027	4	G04005B
238	Q235-A	MF400.02-03	4,028	1	201813005A
239	45#	MF400.02-10	4,029	2	201813012
240	Q235-A	MF400.02-11B	4,030	1	201813007
241	PA6-GF30	MF400.02-23B	4,031	2	201813015
242	PA6-GF30	MF400.02-23A	4,032	2	201813014
243	M8	GB/T6170-2000	4,033	4	G04002B
244	Q235-A	MF400.02-28	4,034	4	201813016
245	Q235-A	MF400.02-01	4,035	1	201813001
246		DGN360Z.00-13/14	4,036	1	201102152
247		MF400.02-30	4,037	2	201813046
248	60Si2MnA	DGN360Z.04-02	4,038	1	201102127
249	ZL104 (D28.5)	DGN360Z.04-00B	4,039	1	201813022
250	Q235-A	DGN360Z.04-03B	4,040	1	201813023RAL5015
251	Q235-A	DGN360Z.04-01	4,041	1	201102126
252	M6×55	GB/T70.1-2008	4,042	1	G01027H
253	M6×20	GB/T70.1-2008	4,043	2	G01024H
254	Q235-A	DGN360Z.04.02B	4,044	1	201813024
255	60Si2MnA	DGN360Z.04-04	4,045	1	201102120
256	Q235-A	DGN360Z.04-05	4,046	1	201102122



257	M6×35	GB/T70.1-2008	4,047	1	G01025H
258		MF400.02-36	4,048	1	201813049
259		MF400.02-35	4,049	1	201813048
260	D4×16	GB/T879.1-2000	4,050	1	G11016
261	PA6-GF30	MF400.02-06	4,051	1	201813019
262	Q235-A	MF400.02-11A	4,052	1	201813018
263	Q235-A	MF400.02-04	4,053	1	201813017A
264	PA6-GF30	MF400.02-24	4,054	1	201813020RAL3000
265	Q235-A	MF400.02-13	4,055	1	201813021
266	65Mn	MF400.02-18	4,056	1	201813038
267		MF400.02-34	4,057	1	201813047
268		MF400.02-37	4,058	1	201813050
269	45#	MF400.02-29	4,059	4	201813045
270	M6×16	GB/T5782-2000	4,060	4	G01115H
271	65Mn	MF400.02-32	4,061	2	201813034
272	PP	MF400.02-27	5	2	201813003
273	PA6-GF30	MF400.02-25	6	2	201813004
274	ABS	MF400.00-14B	7	1	201813036B
275	ABS	MF400.00-14A	8	1	201813036ARAL5015
276	组合件		9	2	201813040A
277	Q235-A	MF400.00-13	10	2	201813043
278	Q235-A	MF400.00-04	11	1	201813039
279	M8×35	GB/T5782-2000	12	2	G01047H
280	D8	GB/T95-2002	13	4	G02003B
281	PA6-GF30	MF400.00-09	14	2	201813041
282	M8	GB/T6183.1-2000	15	2	G04018B
283	M8	非标	16	4	G04027B
284	65Mn	ZHsw.02-05	17	2	201101032
285	ABS	MF400.00-40	18	1	201813170RAL5015
286	丁晴橡胶	MF400.00-11	19	4	201813035
287	M6×12	GB/T5789-1986	20	4	G01057H
288	Q235-A	MF400.00-41	21	1	201813171
289	5.00-10	MF400.00-25	22	1	201813052
290	5.00-10	MF400.00-26	23	1	201813053
291	M10×75	GB/T5782-2000	24	2	G01135H
292	D10	GB/T95-2002	25	12	G02002B
293	M10	GB/T889.1-2000	26	2	G04004B
294	D10	GB/T93-1987	27	8	G03001H
295	M10	GB/T6170-2000	28	8	G04001B