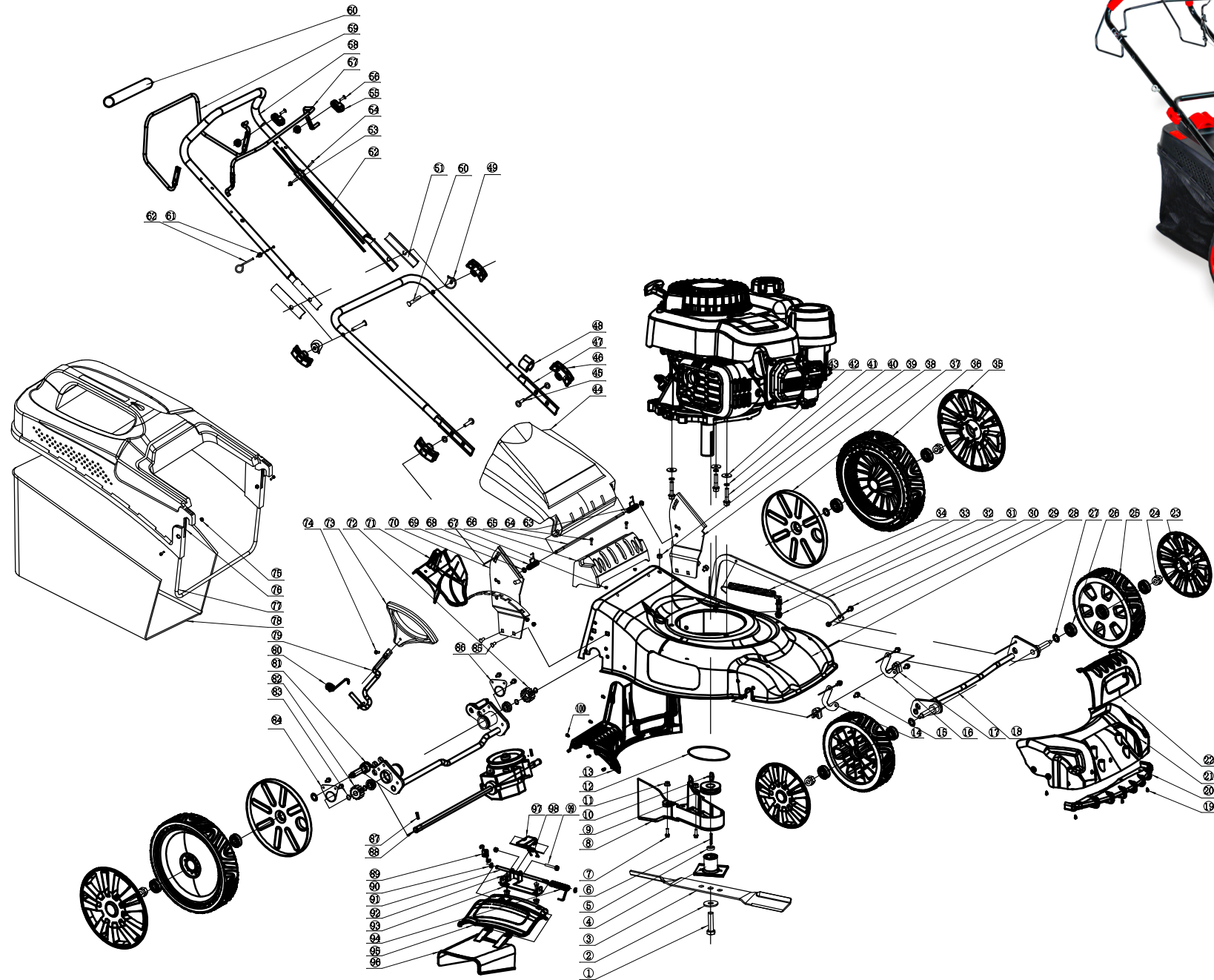


# MAȘINA DE TUNS IARBA BTA-MTG450



**MAȘINA DE TUNS IARBA BTA-MTG450**

<b>NO.</b>	<b>CODE</b>	<b>part name</b>	<b>QTY</b>
1	55001-E10G-040C	Hexagon head bolt	1
2	55012-LA17-0100	Dish washer	1
3	71100-LA18-00B6	Blade	1
4	64010-LA17-0200	Blade adapter	1
5	54104-LA17-0100	Blade washer	1
6	13301-LA20-0500	Flat key	1
7	B5789-06KG-018F	Hexagon flange bolts	2
8	73005-LA18-00B5	Belt cover	1
9	72010-LA17-0100	Initiative pulley	2
10	13304-V65F-0000	Half round key	1
11	B6183. 1-0600-000F	Hexagon flange nuts with non-metallic insert	8
12	72003-LA18-0000	Belt	1
13	63001-LA18-00B5	Plastic air path	1
14	51202-LA17-0200	Front wheel axis board	1
15	B5789-06KG-014F	Hexagon flange bolts	8
16	51202-LA17-0100	Front wheel axis board	1
17	51380-LA17-00B5	Front wheel axis cab	2
18	51301-LA18-00B5	Front wheel axis assembly	1
19	B845-ST42-016F	Cross recessed pan head tapping screws	9
20	44030-LA20-00B5	Comb grass board	1
21	11016-LA18-00B5	Front mask	1
22	51370-LA20-00RP	Front handle	1
23	51311-LA20-00RP	Wheel cover	2
24	B6182-1000-000F	2-Hexagon nuts with non-metallic insert	4
25	51310-LA20-00B5	Front wheel	2
26	C6100-LA17-0000	Stamping bearings	8
27	B7246-130G-000F	Corrugated spring washer	4
28	63010-LA18-00RP	Duck assembly	1
29	B6182-0600-000F	Hexagon nuts with non-metallic insert	2
30	12020-LA17-0400	Connecting rod bolt	2
31	67006-LA18-00B5	height adjuster link bar	1
32	44008-1400-00B5	Nylon nut	1
33	44302-LA20-00B5	Quick washing hole	1
34	72161-LA17-0000	Height adjuster pullback spring	1
35	51311-LA20-03RP	Wheel cover	2
36	51310-LA20-03B5	Front wheel	2
37	55005-LA20-01B5	Wheel dust cap	2
38	51160-LA18-04B5	Handle Support	1
39	51380-LA17-01B5	Cable sheath	2

40	B5789-08LG-030F	Hexagon flange bolts	3
41	B93-080G-000F	Spring washer	3
42	B96. 2-080G-010F	Flat washer	5
43	10000-V65F-B027	Engine	1
44	51206-LA20-01B5	Catcher box cover board	1
45	B801-08LG-030F	Half round head square neck bolts	2
46	44009-LA17-02RP		4
47	44210-LA18-01B5	Lower handle	1
48	11013-LA17-00B5	Cable clip	1
49	55012-LA17-00B5	Bolt isolation pad	2
50	12020-LA18-0100	Different bolt	2
51	55012-LA17-03B5	Insulating Spacer	2
52	53230-LA18-0900	Brake and drive Cable Assembly	1
53	B923-06KC-000F	Acorn nut	2
54	12020-LA17-0200	Different bolt	1
55	55012-LA17-02B5	Clip	2
56	12020-LA17-0600	Line clip bolt	2
57	53235-LA17-02B5	Blade Control Bar	1
58	44210-LA17-02B5	Uper handle	1
59	53235-LA17-01B5	Self-propelled control bar	1
60	51306-LA20-00RP	Rubber on the handle	1
61	B6177. 1-06KG-000F	Reel nut M6	1
62	44325-LA20-0000	Recoil Starter Grip	1
63	66015-LA20-0100	Cover board torsion spring	1
64	B818-05LC-020F	Cross recess pan head screw	4
65	51301-LA18-0600	Rear deflector rod	1
66	51202-LA18-00B5	Plastic Carter	1
67	B6182-0500-000F	Hexagon nuts with non-metallic insert	3
68	66015-LA20-0200	Cover board torsion spring	1
69	B896-0006-000F	Lock washers for shafts	2
70	51160-LA18-03B5	Handle Support	1
71	51312-LA18-00B5	Mulching wedge	1
72	72101-LA17-0000	Drive gear(left)	1
73	75001-LA20-01RP	Height adjuster handle	1
74	B818-06KC-010F	Cross recess pan head screw	1
75	B41-05KG-000F	Hexagon nut M5	2
76	51206-LA20-00B5	Catcher box upper cover	1
77	51206-LA20-01B5	Catcher box bracket	1
78	66010-LA20-02B5	Fabric bag	1
79	67005-LA20-0000	Height adjuster lever	1
80	66015-LA20-0300	Height adjuster torsion spring	1

81	51301-LA18-01B5	Front wheel axis assembly	1
82	72101-LA17-0100	Drive gear(right)	1
83	B894. 1-0012-000F	Shaft with elastic open retainer	4
84	51202-LA17-0600	Rear wheel axis board	1
85	B801-08LG-018F	Half round head square neck bolts	4
86	51202-LA17-0500	Rear wheel axis board	1
87	11014-LA17-0000	Drive gear pin	2
88	C6010-LA20-0000	Gear box	1
89	72161-LA17-0100	Gear box tension spring	1
90	B896-0005-000F	Lock washers for shafts	2
91	51301-LA18-0500	Side-discharge axis	1
92	B801-06KG-012F	Half round head square neck bolts	2
93	51213-LA18-0100	Side-discharge bracket	1
94	66015-LA18-0000	Side-discharge torsion spring	1
95	53330-LA18-00B5	Side-discharge flap	1
96	63001-LA18-01B5	Side-discharge channel	1
97	51213-LA18-00B5	Side-discharge position limiter bracket	1
98	66015-LA18-0100	Side-discharge position limited torsion spring	1
99	B5789-05KG-035F	Hexagon flange bolts	1
100	B845-ST50-016C	Cross recessed pan head tapping screws	7