



No.	Drawing NO.	Parts NO.	Parts name in English	Spec.	Qty
1			Engine		1
1,001		201132001	Engine	6.5HP 3600r/min	1
1,002	GB893.1-1986	G10011	Hole Spring Collar	φ 90	1
1,003	DGN360Z.05.05-01	201102002	Friction Dish 3	65Mn	3
1,004	DGN360Z.05.05.01	201102003	Friction Dish 2	65Mn+	3
1,005	DGN360Z.05.05.02	201102004	Friction Dish 1	65Mn	1
1,006	DGN360Z.05.05-02	201102005	Disk Spring	50CrVA	1
1,007	DGN360Z.05.05-00	201102006	Steel Wire Collar		1
1,008	DGN360Z.05.05-00	201102007	Clutch Bottom Case	ZL102+45#	1
1,009	DGN360Z.05.44	201102008	Clutch Spline	20CrMnTi	1
1,01	DGN360Z.05.06	201102009	Clutch Top Cover		1
1,011	GB/T70-1985	G01113	Bolt	M8x1x22	1
1,012	GB/T93-1987	G03002	Spring Washer	φ8	1
1,013	DGN360Z.05.43	201102010	Connection Plate	ZL102	1

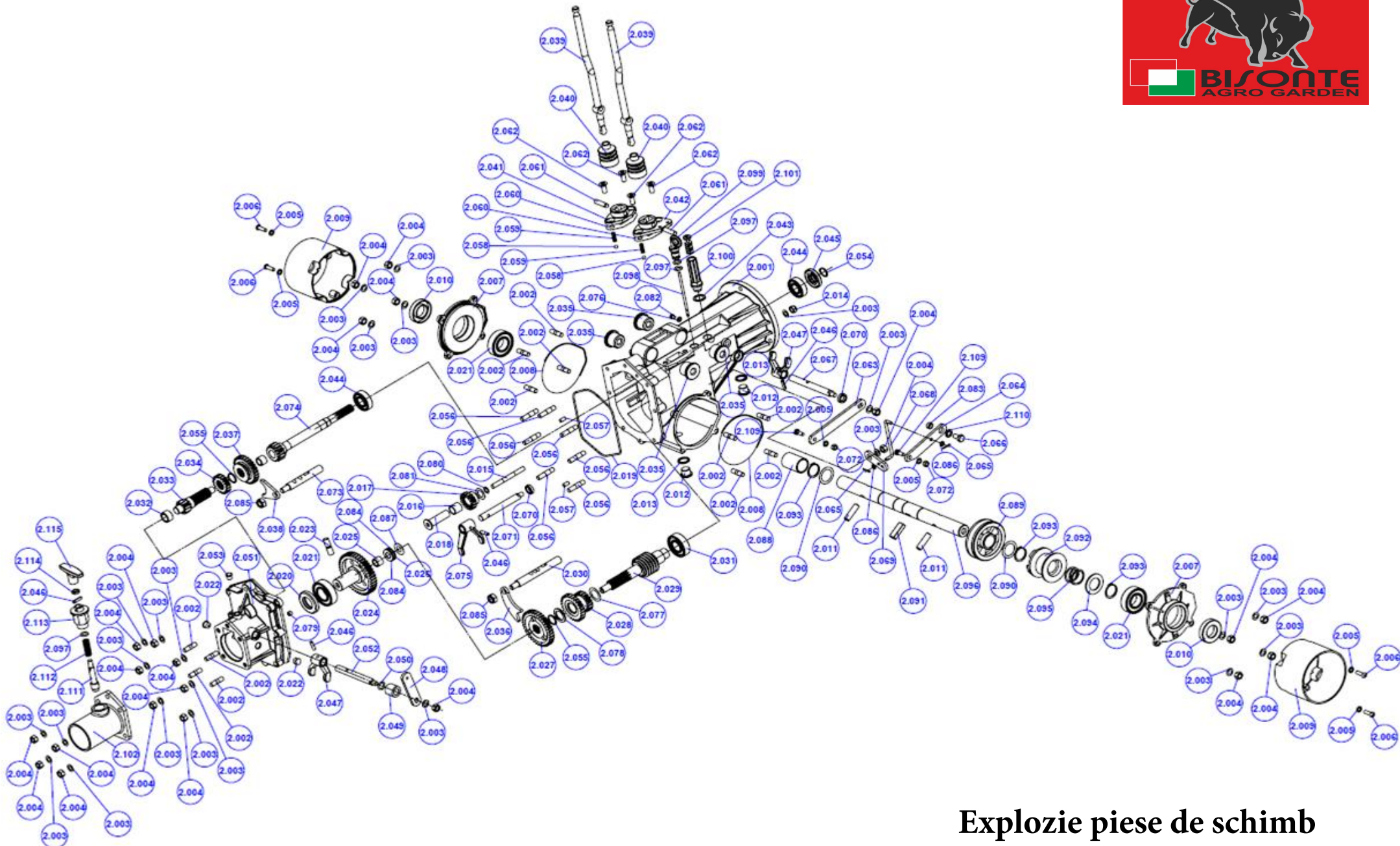
**Explozie piese de schimb
Multifunctional BTA-MF360**



1,014	DGN360Z.0542	201102011	Gasket		1
1,015	DGN360Z.0562	201102012	Gasket		1
1,016	DGN360Z.0507	201102013	Spring	65Mn	1
1,017	GB/T5780-1986	G01045	Bolt	M8x30	4
1,018	GB/T955-1987	G03012	Washer	φ 8	8
1,019	GB/T5780-1986	G01003	Bolt	M8x40	10
1,02	DGN360Z.11	201102014	Engine Rack	Q235-A	1
1,021	GB/T41-1986	G04012	Nut	M8	4
1,022	DGN360Z.1101	201102015	Rubber Plug		2
1,023	GB/T1096-1979	G07018	Flat Key	4.75x4.75x35	1

TOTAL:

**Explozie piese de schimb
Multifunctional BTA-MF360**



**Explozie piese de schimb
Multifunctional BTA-MF360**



2			Transmissi on Case Assy		1
2,001	DGN360Z.05 00.2	201102016	Gear Case	AL308	1
2,002	GB/T900- 1988 8.8级	G01104	Bolt	M8×17	12
2,003	GB/T955- 1987	G03012	Spring Washer	φ 8	23
2,004	GB/T41- 1986	G04012	Hex Nut	M8	22
2,005	GB/T95- 1985	G02008	Flat Washer	φ 6	6
2,006	GB/T818- 1985	G01084	Screw with cross head	M6×20	4
2,007	DGN360Z.05 30.1	201102017	Output Axle Cover	ZL102	2
2,008	DGN360Z.05 33	201102018	Seal plate	橡胶	2
2,009	DGN360Z.05 64	201102019	Cover	PA6-GF30	2
2,01	GB/T9877.1- 1988	G05015	FB Seal plate	φ 47× φ 25× 10	2
2,011	DGN360Z.05 59	201102020	Pin	40Cr , φ 10×36	2
2,012	XZJ.01-12	201102021	Bolt	M16×1.5×12	2
2,013		201102022	Rubber Plate	φ 23× φ 16.2 ×3	2
2,014	GB/T1337- 1988	G04005	Nut	M8	1

**Explozie piese de schimb
Multifunctional BTA-MF360**



2,015	DGN360Z.05 19	201102023	Screw with two tip	45#, M8X80	1
2,016	GB/T5801- 1994	G08032	Needle Bearing	K18x14x17	1
2,017	DGN360Z.05 15	201102024	Gear	20CrMnTi	1
2,018	DGN360Z.05 18	201102025	Axle	20CrMnTi	1
2,019	DGN360Z.05 69	201102026	Seal Plate	橡胶	1
2,02	GB/T9877.1- 1988	G05014	Seal plates	φ 47x φ 25x 7	1
2,021	GB/T276- 1994	G08023	Ball bearing	φ 52x φ 25x 15	3
2,022	DGN360Z.05 63	201102027	Cover	橡胶	2
2,023	DGN360Z.05 32	201102028	Output Axle	20CrMnTi	1
2,024	DGN360Z.05 21	201102029	Gear	20CrMnTi	1
2,025	GB/T5801- 1994	G08031	Needle Bearing Assy	K17x12x13	2
2,026		G08034	Needle Bearing	AX1226	1
2,027	DGN360Z.05 .01	201102030	Gear	20CrMnTi	1
2,028	DGN360Z.05 .02	201102031	Double Gear Assy	20CrMnTi+F Z2265	1
2,029	DGN360Z.05 12	201102032	Worm Rod	20CrMnTi	1
2,03	DGN360Z.05 01	201102033	Axle	20CrMnTi	1

**Explozie piese de schimb
Multifunctional BTA-MF360**



2,031	GB/T276-1994	G08022	Ball Bearing	ϕ 47x ϕ 20x 14	1
2,032	GB/T5801-1994	G08035	Needle Bearing	K21x15x12	1
2,033	DGN360Z.0507	201102034	Gear with Spline	20CrMnTi	1
2,034	DGN360Z.0509	201102035	Gear	20CrMnTi	1
2,035	DGN360Z.0503	201102036	Connection Cover	PA6-GF30	4
2,036	DGN360Z.0502	201102037	3-position Shift	45#	1
2,037	DGN360Z.0508	201102038	Gear	20CrMnTi	1
2,038	DGN360Z.0505	201102039	2-position Shift	45#	1
2,039	DGN360Z.0526	201102040	Connection Shaft	Q235-A	2
2,04	DGN360Z.0557	201102041	Gearshift Cover		2
2,041	DGN360Z.0524	201102042	Side Cover	ZL102	1
2,042	DGN360Z.0525	201102043	Side cover 1	ZL102	1
2,043	DGN360Z.0556	201102044	Gasket	ϕ 16	1
2,044	GB/T276-1994	G08021	Ball bearing	ϕ 40x ϕ 17x 12	2
2,045	GB/T9877.1-1988	G05011	FB Seal plate	ϕ 40x ϕ 17x 7	1

Explozie piese de schimb Multifunctional BTA-MF360



2,046	GB/T879-1986	G11003	Spring Washer	φ 5x20	4
2,047	DGN360Z.0545	201102045	shift control 2	ZG40Mn2	2
2,048	DGN360Z.0539	201102046	Connection Plate	45#	1
2,049	DGN360Z.0541	201102047	Washer	45#	1
2,05	GB/T3452.1-2005	G05003	O rubber seal	φ 11.8x φ 2.65	1
2,051	DGN360Z.0520.1	201102048	Gear Case Cover	AL308	1
2,052	DGN360Z.0535	201102049	Axle	45#	1
2,053	DGN360Z.0566	201102050	Ruber Pin		1
2,054	GB/T894.1-1986	G09011	Shaft Spring Collar	φ 17(1.2)	1
2,055	GB/T894.1-1986	G09013	Shaft Spring Collar	φ 19(1.2)	2
2,056	GB/T900-1988 8.8级	G01106	Bolt with Double tips	M8x27	7
2,057	GB/T119-1986	G11008	Pin	φ 6 (m6) x 12	2
2,058		G12004	Steel Ball	φ 6.35	2
2,059	DGN360Z.0523	201102051	Pression Spring	65Mn	2
2,06	DGN360Z.0558	201102052	seal		2
2,061	GB/T119-1986	G11010	Pin	φ 6 (m6) x 30	2

**Explozie piese de schimb
Multifunctional BTA-MF360**



2,062	GB/T2673-1986	G01033	Screw with Countersunk head	M8x16	4
2,063	DGN360Z.0547	201102053	Connection Plate	45#	1
2,064	DGN360Z.0553	201102054	connection plate 2	45#	1
2,065	GB/T91-2000	G06003	Cotter Pin	φ 2x12	2
2,066	GB/T5780-1986	G01006	Hex Head Bolt	M8x16	1
2,067	DGN360Z.0546	201102055	Axle	45#	1
2,068	DGN360Z.0552	201102056	Connection Shaft	45#	1
2,069	DGN360Z.0550	201102057	Connection Plate 1	45#	1
2,07	GB/T9877.1-1988	G05010	FB seal Plate	φ 19x φ 12x 5	2
2,071	DGN360Z.0528	201102058	Axle	45#	1
2,072	GB/T41-1986	G04011	Nut	M6	2
2,073	DGN360Z.0504	201102059	Axle	45#	1
2,074	DGN360Z.0506	201102060	Axle	20CrMnTi	1
2,075	DGN360Z.0529	201102061	2-gearshift control	ZG40Mn2	1
2,076	DGN360Z.0565	201102062	Gasket	φ 5	1

**Explozie piese de schimb
Multifunctional BTA-MF360**



2,077	DGN360Z.05 16	201102063	Friction Disc 1	ϕ 30x ϕ 20.2 x0.3/0.5/1	
2,078	DGN360Z.05 17	201102064	Friction Disc 2	ϕ 30x ϕ 20.2 x2	1
2,079	GB/T78- 1985	G01038	Screw	M6x8	1
2,08	DGN360Z.05 68	201102065	Washer	ϕ 13.8x ϕ 8.2 x0.2、0.3	
2,081	DGN360Z.05 67	201102066	Washer	ϕ 23x ϕ 14.2 x0.3	1
2,082	GB/T67- 1985	G01090	Bolt	M5x6	1
2,083	DGN360Z.05 51	201102067	Cover	45#	1
2,084		201102068	Washer	AS1226 $\delta=2.75$	2
2,085	GB/T1337- 1988	G01004	Nut	M10	2
2,086	GB/T95- 1985	G02004	Flat Washer	ϕ 5	2
2,087		201102069	Spacer Shim	ϕ 25x ϕ 12.5 x0.3/0.5	
2,088	DGN360Z.05 .00-06	201102070	Cover	20#	1
2,089	DGN360Z.05 .00-05	201102071	Worm Wheel	ZQSn6-6-3	1
2,09	DGN360Z.05 .00-04	201102072	Friction Plate	ϕ 35x ϕ 25.2 x0.3	2
2,091	DGN360Z.05 .00-02	201102073	Flat Key	45#	1

**Explozie piese de schimb
Multifunctional BTA-MF360**



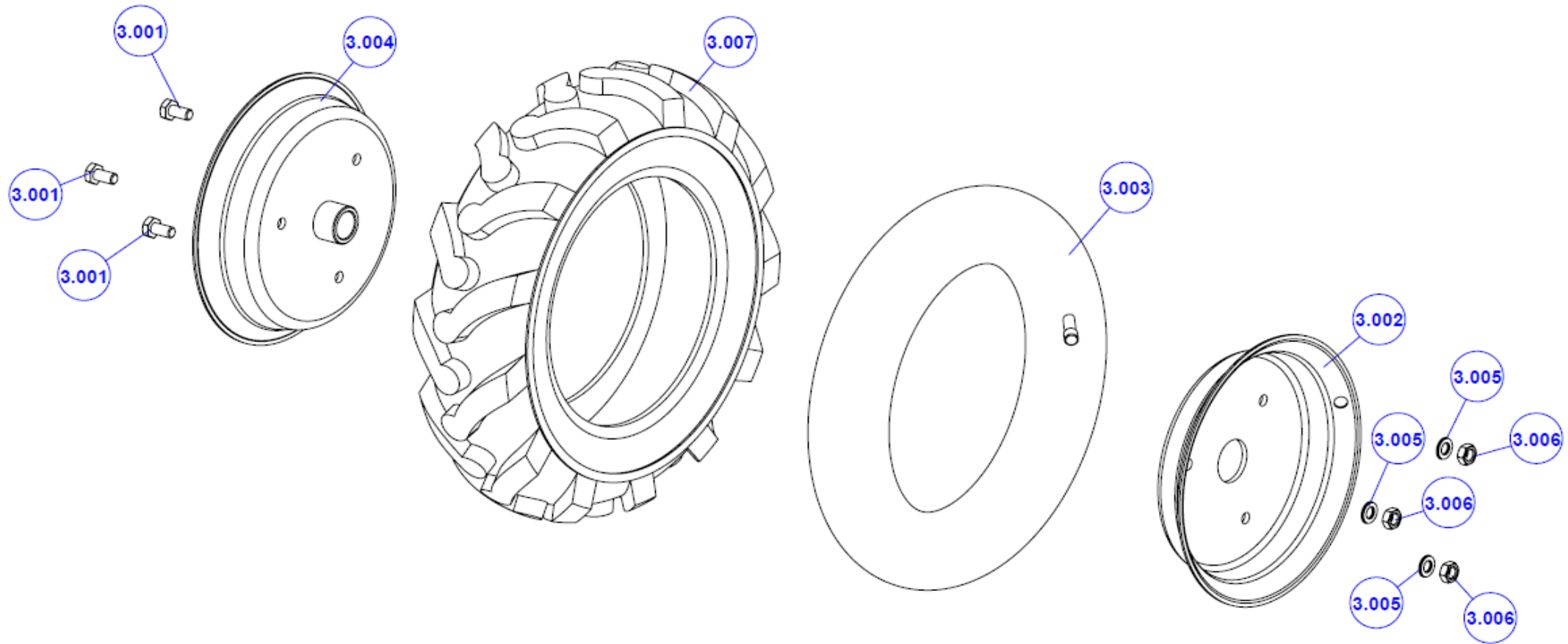
2,092	DGN360Z.05 .00-03	201102074	Clutch	20CrMnTi	1
2,093	GB/T894.1- 1986	G09016	Shaft Spring Collar	φ 25	3
2,094	DGN360Z.05 .00-01	201102075	Washer	φ 42× φ 25.2 x2	1
2,095	DGN360Z.05 .00-07	201102076	Pression Spring	65Mn	1
2,096	DGN360Z.05 .00-00	201102077	Worm Shaft	40Cr	1
2,097	GB/T3452.1- 2005	G05002	O seal	φ 9.5× φ 2.65	3
2,098	DGN360Z.05 .03-01	201102078	Oil indicator	Q235-A	1
2,099	DGN360Z.05 .03-00	201102079	Oil Indicator handle	PA6-GF30	1
2,1	DGN360Z.05 .07-00	201102080	Pipe	PA6-GF30	1
2,101	DGN360Z.05 .07-01	201102081	Axle	ABS	1
2,102	DGN360Z.05 .04	201102082	Connection Cover	45#	1
2,109	DGN360Z.05 48	201102088	Screw	45#	2
2,11	GB/T95- 1985	G02003	Washer	φ 8	1
2,111	DGN360Z.05 .04-05R	201102149	Pin	40Cr	1
2,112	DGN360Z.05 .04-06R	201102150	Pressure Spring	82B	1
2,113	DGN360Z.05 .04-04R	201102151	Bolt Base	20#	1

**Explozie piese de schimb
Multifunctional BTA-MF360**

2,114	GB/T6172-1986	G04015	Nut	M8	1
2,115	DGN360Z.01.00	201102099	Handle	PA6-GF30	1



**Explozie piese de schimb
Multifunctional BTA-MF360**



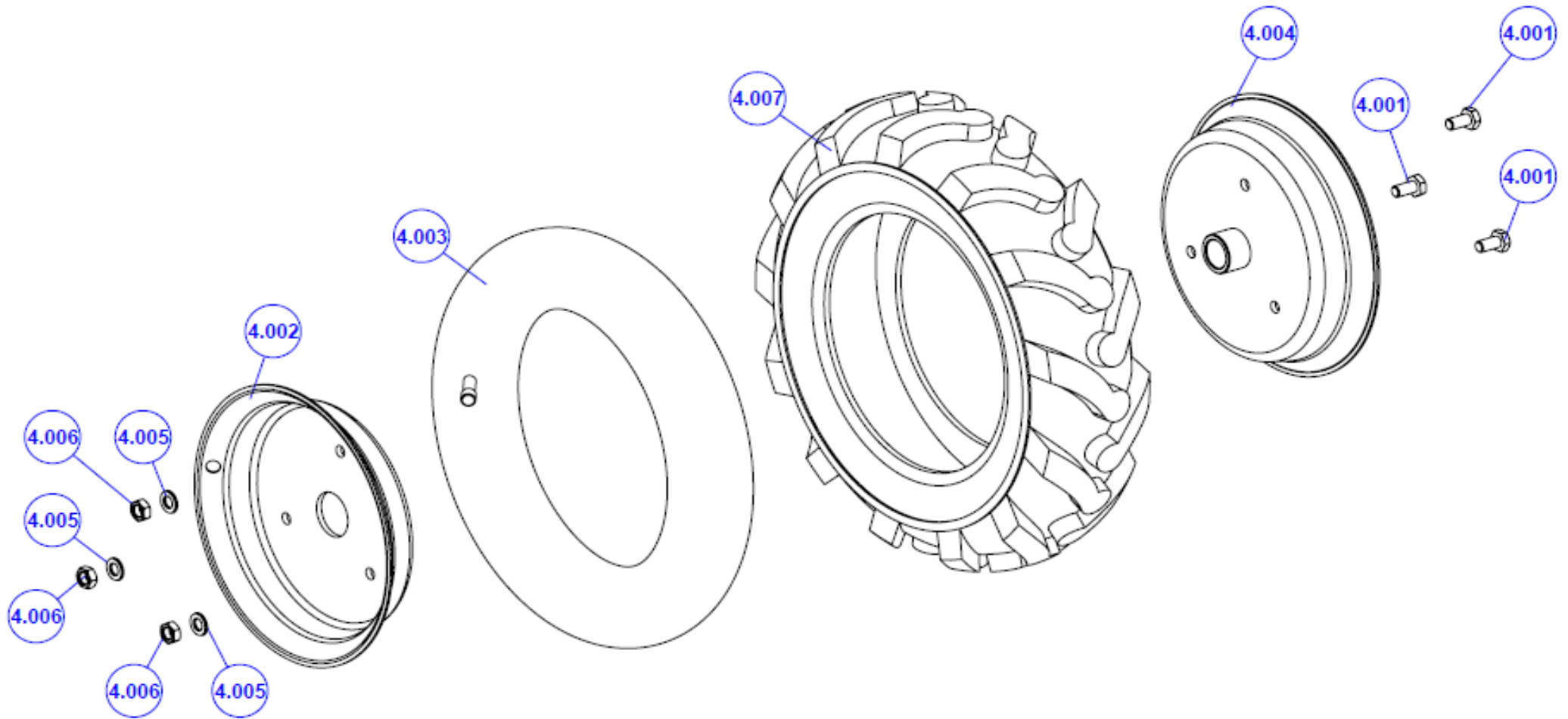
**Explozie piese de schimb
Multifunctional BTA-MF360**



3		201102302	Left Wheel Assy		1
3,001	GB/T5780-1986	G01049	Hex Bolt	M10x20	3
3,002	DGN360Z.10.00-01	201102089	Metal Wheel	Q235-A	1
3,003		201102090	Tire	4.00-8	1
3,004	DGN360Z.10.00-02	201102091	wheel	Q235-A	1
3,005	GB/T95-1985	G02002	Flat Washer	φ 10	3
3,006	GB/T6170-1986	G04001	Hex Nut	M10	3
3,007		201102092	Rubber Wheel	4.00-8	1

TOTAL :

**Explozie piese de schimb
Multifunctional BTA-MF360**

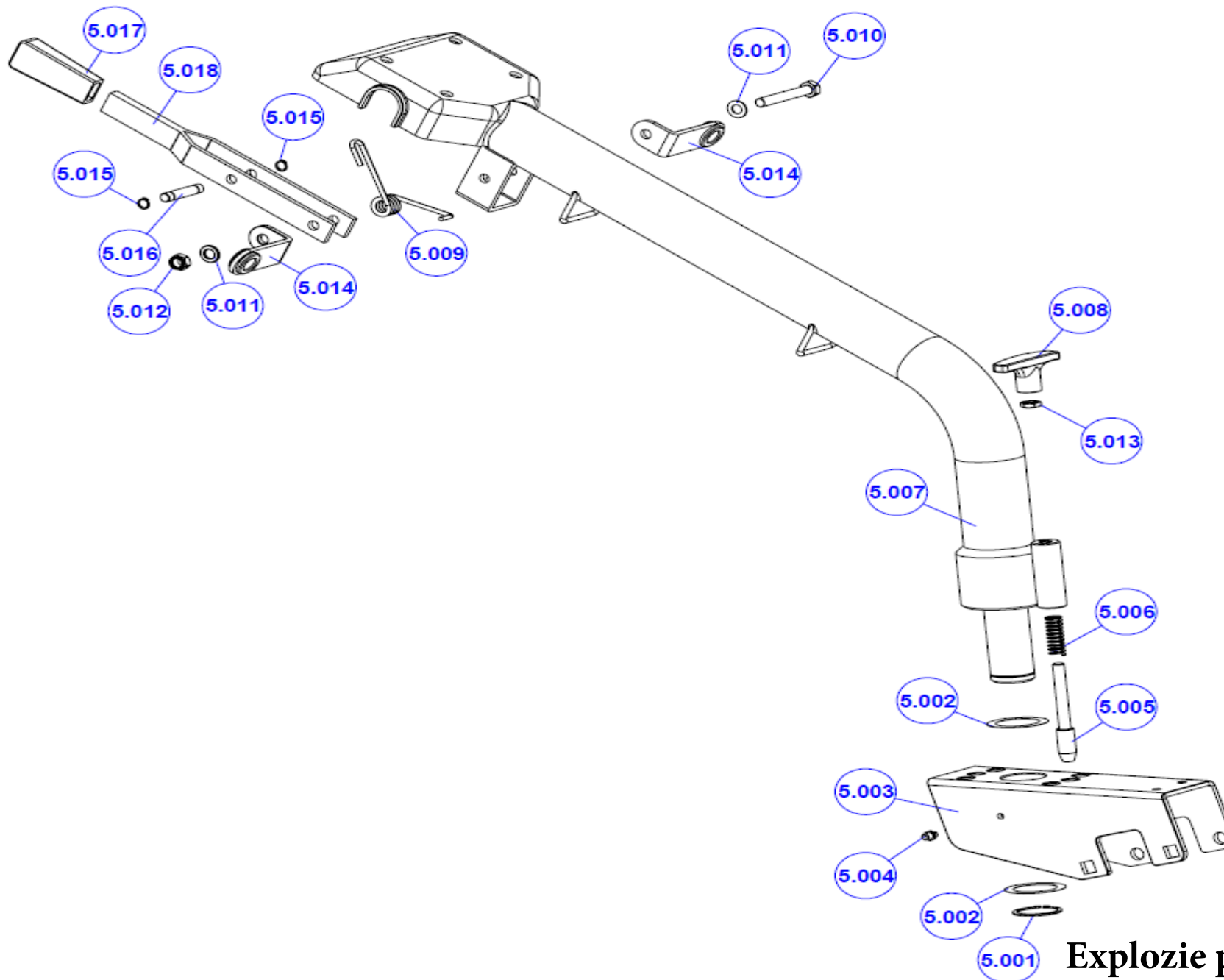


**Explozie piese de schimb
Multifunctional BTA-MF360**



4		201102303	Right Wheel Assy		1
4,001	GB/T5780-1986	G01049	Hex Bolt	M10x20	3
4,002	DGN360Z.10.00-01	201102089	Metal Wheel	Q235-A	1
4,003		201102090	Tire		1
4,004	DGN360Z.10.00-02	201102091	Metal Wheel	Q235-A	1
4,005	GB/T95-1985	G02002	Flat Washer	φ 10	3
4,006	GB/T6170-1986	G04001	Hex Nut	M10	3
4,007		201102092	Rubber Wheel		1
				TOTAL:	

**Explozie piese de schimb
Multifunctional BTA-MF360**



**Explozie piese de schimb
Multifunctional BTA-MF360**



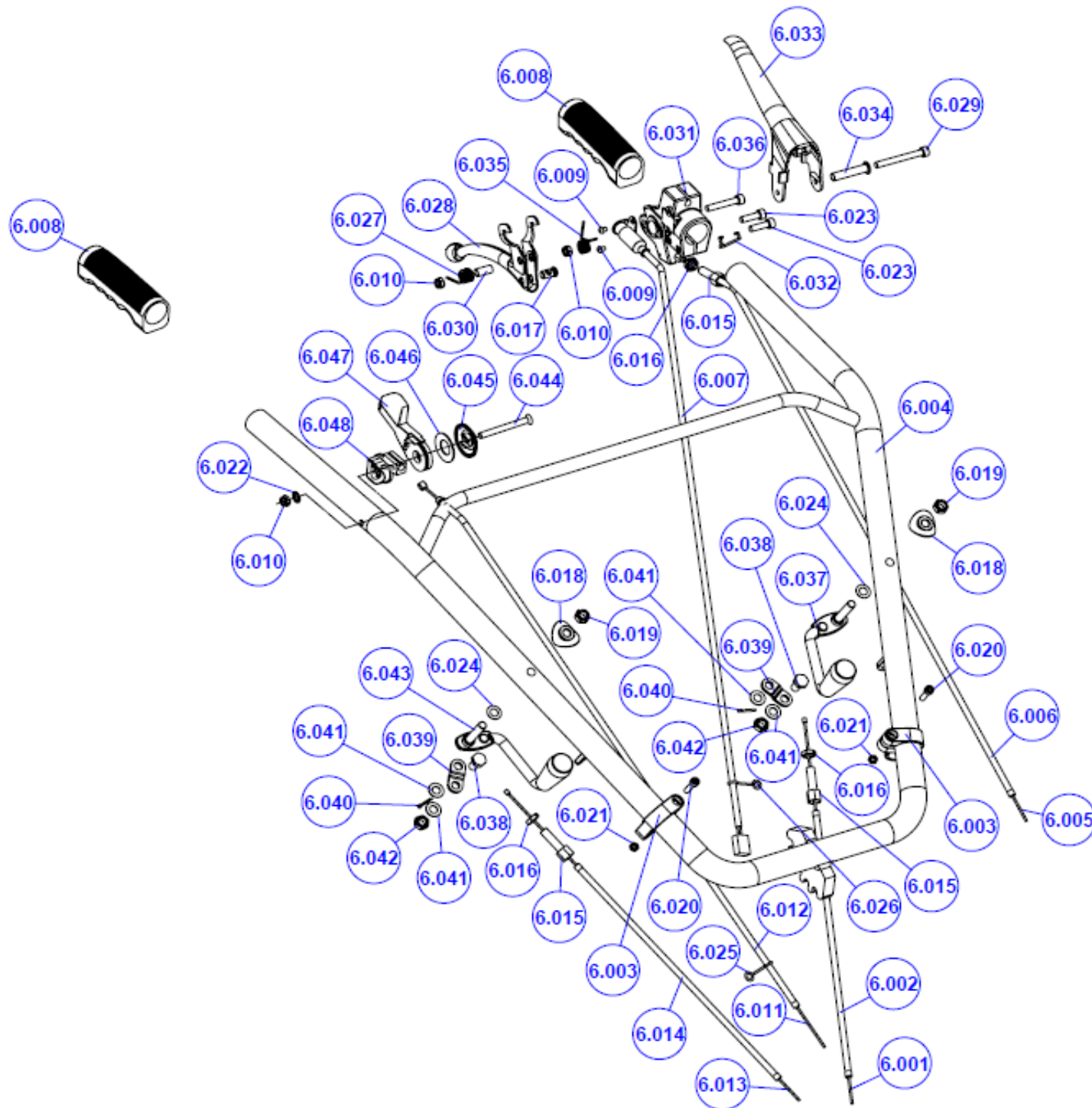
5			Frame Assy		1
5,001	GB/T894.1-1986	G09018	Washer	$\phi 30$	1
5,002	DGN360Z.00-01	201102093	Washer	65Mn, $\phi 42 \times \phi 30.2 \times 0.5$	2
5,003	DGN360Z.02	201102094	Frame Base	Q235-A	1
5,004		201102095	Oil Hole	M6	1
5,005	DGN360Z.01-06	201102096	Pin	45#	1
5,006	DGN360Z.01-07	201102097	Spring	65Mn	1
5,007	DGN360Z.01	201102098	Frame	Q235-A	1
5,008	DGN360Z.01.00	201102099	Pin Cap	PA6-GF30	1
5,009	DGN360Z.01-08	201102100	Torsion Spring	65Mn	1
5,01	GB/T5780-1986	G01048	Nut	M8x55	1
5,011	GB/T95-1985	G02003	Flat Washer	$\phi 8$	2
5,012	GB/T1337-1988	G04005	Locking Nut	M8	1
5,013	GB/T6172-1986	G04015	Nut	M8	1
5,014	DGN36Z.01.02-01	201102101	Support	Q235-A	2

**Explozie piese de schimb
Multifunctional BTA-MF360**

5,015	GB/T894.1-1986	G09005	Washer	φ 8	2
5,016	DGN360Z.01.01-03	201102102	Pin	45#	1
5,017	DGN360Z.01.01-02	201102087	Cover	LDPE	1
5,018	DGN360Z.01.01	201102103	Height Control Handle	Q235-A	1



**Explozie piese de schimb
Multifunctional BTA-MF360**



**Explozie piese de schimb
Multifunctional BTA-MF360**



6		201102301	Handle Assy		1
6,001	DGN360Z.00-13	201102104	Clutch Control Wire (control implement)		1
6,002	DGN360Z.00-14	201102105	Tube		1
6,003	DGN360Z.03-05	201102106	Wire Connector		2
6,004	DGN360Z.03-00	201102107	Left and Right Handle	Q235-A	1
6,005	DGN360Z.00-11	201102108	Clutch Control Wire		1
6,006	DGN360Z.00-12	201102109	Steel Wire Sheath		1
6,007	DGN360Z.04-01	201102110	Switch Assy		1
6,008	DGN360Z.03-04	201102111	Handle Sheath		2
6,009	GB/T818-1985	G01077	Screw	M4x5	2
6,01	GB/T1337-1988	G04006	Nut	M6	3
6,011	DGN360Z.00-09	201102112	Steel Wire		1
6,012	DGN360Z.00-10	201102113	Wire Sheath		1
6,013	DGN360Z.00-07	201102114	Steel Wire		1

**Explozie piese de schimb
Multifunctional BTA-MF360**



6,014	DGN360Z.00-08	201102115	Steel Wire Sheath		1
6,015	DGN360Z.00-05	201102116	Screw	45#	3
6,016	GB/T6172-1986	G04015	Nut	M8	3
6,017	DGN360Z.03-06	201102117	Steel Wire Sheath	45#	1
6,018	T250BR-27	201102118	Washer	65Mn	2
6,019	GB/T1337-1988	G04005	Nut	M8	2
6,02	GB/T70-1985	G01009	Screw	M5x20	2
6,021	GB/T6170-1986	G04003	Nut	M5	2
6,022	GB/T95-1985	G02008	Washer	φ 6	1
6,023	GB/T70-1985	G01024	Screw	M6x20	2
6,024	GB/T955-1987	G03012	Spring Washer	φ 8	2
6,025	DGN360Z.11-03	201101039	Locating ring	65Mn	1
6,026	DGN360Z.11-04	201102119	Locating ring	65Mn	1
6,027	DGN360Z.04-04	201102120	Torsion Spring	60Si2MnA	1
6,028	DGN360Z.04-02	201102121	Clutch Control Rod	Q235-A	1
6,029	GB/T70-1985	G01027	Screw	M6x55	1

**Explozie piese de schimb
Multifunctional BTA-MF360**



6,03	DGN360Z.04-05	201102122	Holding Pin		1
6,031	DGN360Z.04-00	201102123	Handle Assembly Base	ZL104	1
6,032	DGN360Z.04-06-1	201102124	ring		1
6,033	DGN360Z.04-03	201102125	STOP Control Handle	Q235-A	1
6,034	DGN360Z.04-01	201102126	Holding pin		1
6,035	DGN360Z.04-02	201102127	Torsion Spring	60Si2MnA	1
6,036	GB/T70-1985	G01025	Screw with hex socket	M6x35	1
6,037	DGN360Z.09-00-01	201102128	Cluch Control Rod	Q235-A+ABS	1
6,038	DGN360Z.09-04	201102129	Screw	45#, M8 X 16	2
6,039	DGN360Z.09-03	201102130	Plate	Q235-A	2
6,04	GB/T91-2000	G06003	Cotter Pin	φ 2x12	2
6,041	GB/T95-1985	G02003	Flat Washer	φ 8	4
6,042	GB/T6170-1986	G04002	Hex Nut	M8	2

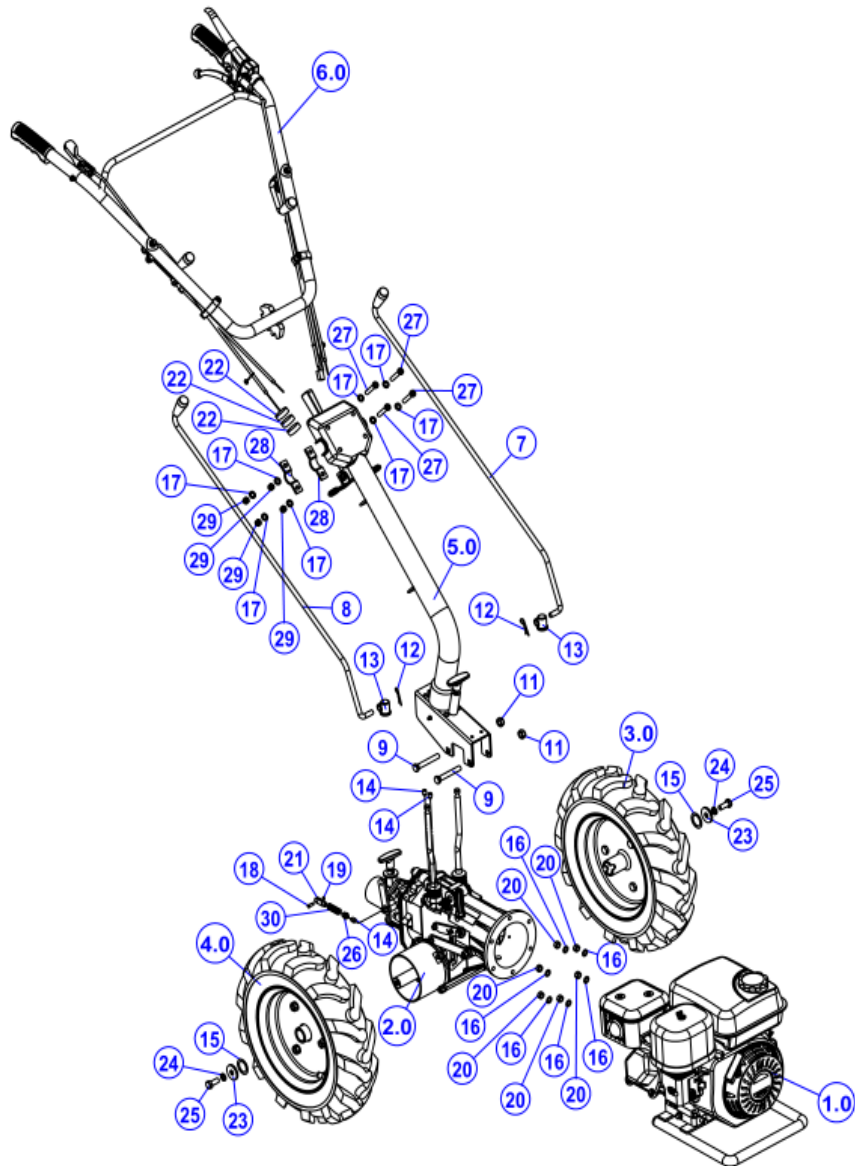
Explozie piese de schimb Multifunctional BTA-MF360

6,043	DGN360Z.09-00	201102131	Cluch Control Rod (for worm wheel)	Q235-A+ABS	1
6,044	GB/T2673-1986	G01035	Countersink Hex Bold	M6x60	1
6,045	DGN360Z.03.00-03	201102132	Cap	PA6-GF30	1
6,046	DGN360Z.03.00-02	201102133	Pression Spring	65Mn	1
6,047	DGN360Z.03.00-01	201102134	Speed Control Handle	PA6-GF30	1
6,048	DGN360Z.03.00-00	201102135	Handle Base	PA6-GF30	1



**Explozie piese de schimb
Multifunctional BTA-MF360**

MF360



Drawing 1 of 7

7	DGN360.06	201102136	Gearshift Rod	Q235-A	1
8	DGN360.07	201102137	Gearshift Rod	Q335-A	2

**Explozie piese de schimb
Multifunctional BTA-MF360**



9	GB/T12-1988	G01100	Screw with Square neck	M10×70	2
11	GB/T1337-1988	G04004	Locking Nut	M10	2
12	DGN360.00-04	201102138	Cotter Pin	65Mn, φ 1.8	2
13	DGN360.00-03	201102139	Connection Cover	PA6-GF30	2
14	DGN360Z.00-15	201102140	Wire Cap	35#	3
15		201102141	Washer	φ 35× φ 25.2 ×1	2
16	GB/T955-1987	G03012	Spring Washer	φ 8	6
17	GB/T95-1985	G02003	Flat Washer	φ 8	8
18	DGN360Z.05-40	201102142	Pin	45#, φ5×14.5	1
19	GB/T894.1-1986	G09003	Shaft Spring Collar	φ 5	1
20	GB/T41-1986	G04012	Hex Bolt	M8	6
21	DGN360Z.05-38	201102143	Connector	Q235-A	1
22		201102144	Bandage	3×150	3
23	DGN360Z.05-60	201102145	Washer	45# , φ 32× φ 1 0.5×5	2
24	GB/T93-1987	G03001	Spring Washer	φ10	2

Explozie piese de schimb Multifunctional BTA-MF360

25	GB/T5780-1986	G01050	Hex Bolt	M10x25	2
26	DGN360Z.0505-71	201102146	Spring base	45#	1
27	GB/T2672-1986	G01020	Screw with Socket head	M8x45	4
28	DGN360Z.0002	201102147	Locking Plate	Q235-A	2
29	GB/T1337-1988	G04005	Nut	M8	4
30	DGN360Z.0537	201102148	Spring	65Mn	1
				TOTAL :	

yellow color
parts indicate
easy-wear parts



**Explozie piese de schimb
Multifunctional BTA-MF360**