



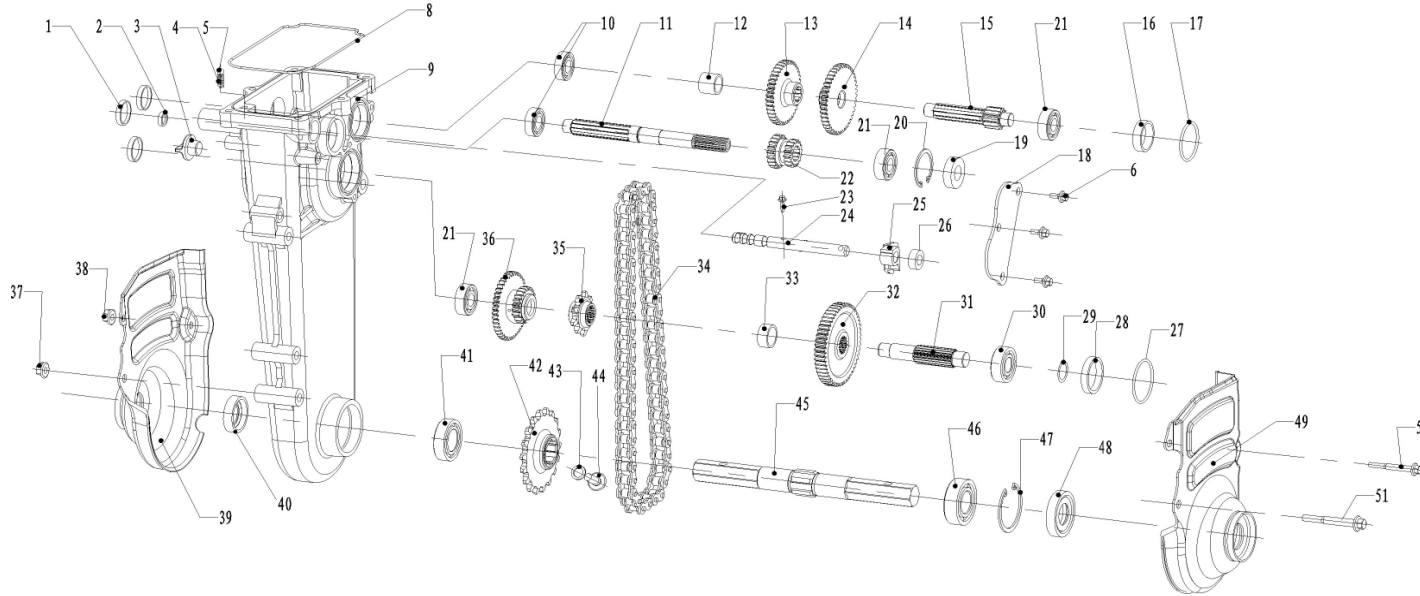
SCHEMĂ EXPLODATĂ



BTA-750-1

BTA 750-1 SPARE PARTS LIST

Gearbox Assy

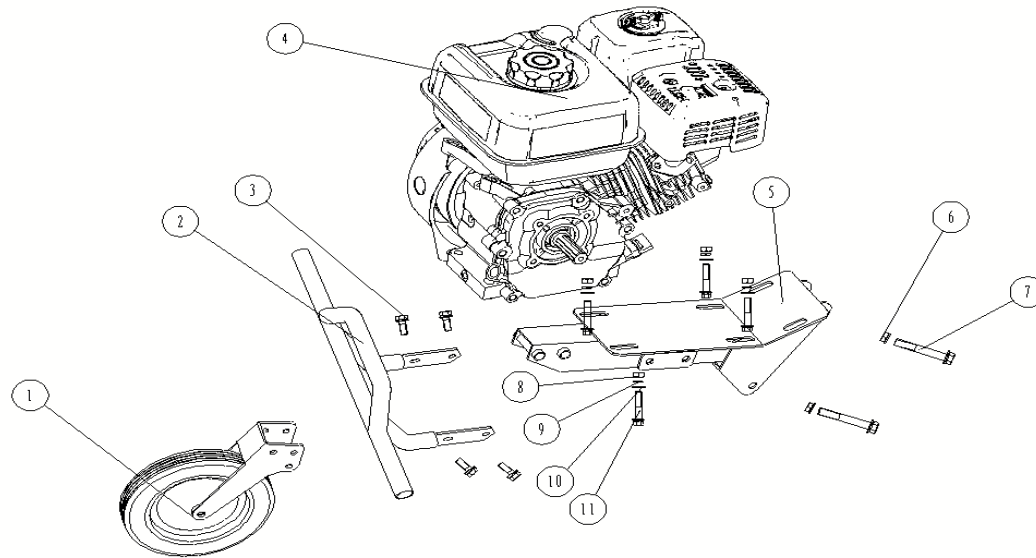


Series No.	Part Code		English Name	Unit	Quantity for One Unit	Order Quantity	Unit Price	Total Amount	Note
1	71117-T80A-1000	33126-00066-00	OIL PLUG (BIG)	pcs	3				
2	71117-T80A-2000	33126-00065-00	OIL PLUG (SMALL)	pcs	1				
3	00001-W007-0405	20026-00020-00	OIL PLUG	pcs	1				
4	71115-T80A-000B	33050-00051-00	SHIFTING SPRING	pcs	1				
5	B308-0600-0000	70002-02910-00	STEEL BALLΦ6	pcs	1				
8	71015-T75A-0000	60010-00013-00	SEALING RING	pcs	1				
9	71101-T75A-0000	33701-00001-00	GEAR BOX	pcs	1				
10	B276-6202-00	30141-00187-00	Bearing 6202	pcs	1				
11	71111-T80A-1000	33702-00002-00	MAIN SHAFT	pcs	1				
12	71124-T80A-210B	34032-00086-00	SHAFT HOUSING	pcs	1				

13	71126-T80A-1000	34033-00092-00	COUNTER SHAFT GEAR ONE	pcs	1				
14	71126-T80A-4000	34033-00089-00	COUNTER SHAFT GEAR TWO	pcs	1				
15	71121-T80A-0000	33702-00005-00	COUNTER SHAFT	pcs	1				
16	71124-T80A-100B	34032-00093-00	STOP RING I	pcs	1				
17	B3452-1-265C-0400	30152-00317-00	O-RING 40x2.65	pcs	1				
18	7110A-T80A-000C	33141-00110-00	OIL STOPPER	pcs	1				
19	B9877-1-017C-3500	34007-00092-00	OIL SEAL ϕ 15x ϕ 35x7	pcs	1				
20	B893-1-0035-000B	30150-00080-00	CHECK RING 35	pcs	1				
21	B276-6202-00	30141-00187-00	Bearing 6202	pcs	3				
22	71112-T80A-0000	34033-00082-00	TWO-THROW GEAR	pcs	1				
23	B5789-06KG-016C	30101-00669-00	HEXAGON FLANGE BOLT M6x16	pcs	1				
24	71141-T75A-100C	33702-00009-00	SHIFT FORK SHAFT	pcs	1				
25	71142-T80A-0000	33005-00014-00	SHIFT FORK	pcs	1				
26	B9877-1-012C-2200	34007-00088-00	OIL SEAL 12x22x5	pcs	1				
27	B3452-1-265C-0450	30152-00319-00	O-RING 45x2.65	pcs	1				
28	71124-T80A-400B	34032-00098-00	STOP RING II	pcs	1				
29	71109-175H-0000	30136-00255-00	WASHER ϕ 17.5x ϕ 26x1.0	pcs	1				
30	B276-6203-00	30141-00189-00	Bearing 6203	pcs	1				
31	71171-T80A-0000	33702-00006-00	DRIVING SHAFT	pcs	1				
32	71126-T80A-3000	34033-00093-00	DRIVING GEAR	pcs	1				
33	71124-T80A-300B	34032-00088-00	SHAFT HOUSING II	pcs	1				
34	71183-T75A-0000	34034-00005-00	CHAIN	pcs	1				
35	71172-T80A-0000	34033-00076-00	DRIVING SPROCKET	pcs	1				
36	71132-T80A-0000	34033-00083-00	REVERSE TWO-THROW GEAR	pcs	1				
37	B6187-3-08LG-000C	30125-00058-00	HEXAGON FLANGE NUTS M8	pcs	1				
38	B6187-3-06KG-000C	30125-00059-00	HEXAGON FLANGE NUTS M6	pcs	1				
39	7110B-T75A-200H	33138-00035-00	RIGHT SHIELD	pcs	1				
40	71184-T80A-1000	34007-00106-00	OIL SEAL 25x41x9	pcs	1				
41	B276-6005-00	30141-00177-00	Bearing 6005	pcs	1				
42	71182-T80A-0000	34033-00077-00	DRIVEN SPROCKET	pcs	1				
43	71109-105H-0000	30136-00232-00	WASHER ϕ 10	pcs	1				
44	71204-T80A-0000	30107-00007-00	HEXAGON FLANGE BOLT M10x1.25x12	pcs	1				
45	71181-T80A-0000	33702-00011-00	HEXAGON OUTPUT SHAFT	pcs	1				
46	B276-6205-00	30141-00192-00	Bearing 6205	pcs	1				
47	B893-1-0052-000B	30150-00084-00	CHECK RING 52	pcs	1				
48	71184-T80A-0000	34007-00107-00	OIL SEAL 25x52x9	pcs	1				
49	7110B-T75A-100H	33138-00037-00	LEFT SHIELD	pcs	1				
50	B5789-06KG-050C	30101-00547-00	HEXAGON FLANGE BOLT M6x50	pcs	1				

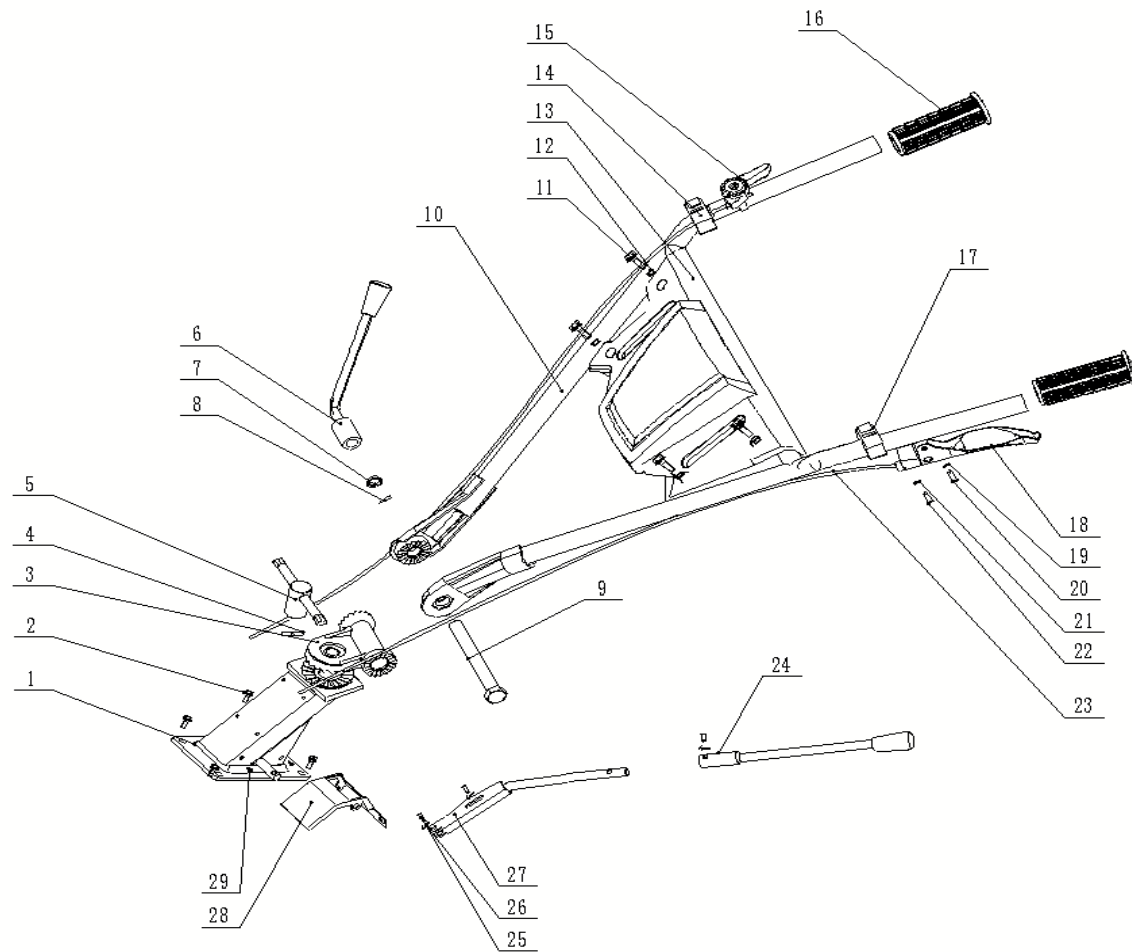
51	B16674-1-08LG-065C	30101-00726-00	HEXAGON FLANGE BOLT M8x65	pcs	1				
----	--------------------	----------------	---------------------------	-----	---	--	--	--	--

ENGINE & ENGINE SUPPORT FRAME



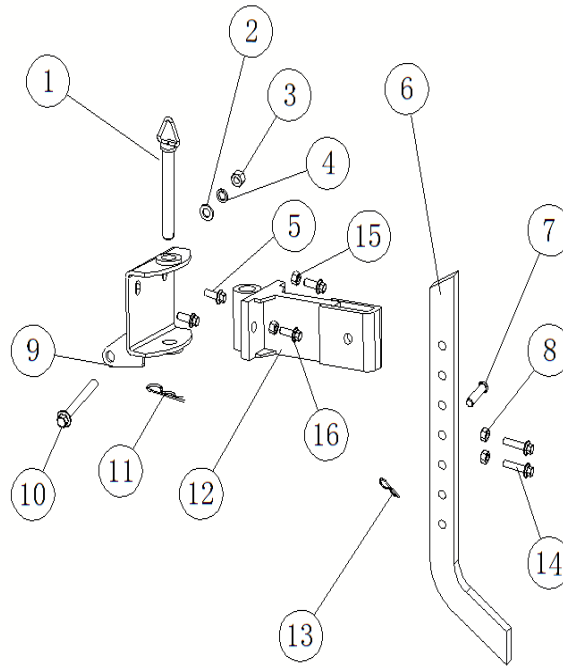
Series No.	Part Code		English Name	Unit	Quantity for One Unit	Order Quantity	Unit Price	Total Amount	Note
1	72310-T75A-60W2	20134-00225-00	Front wheel	pcs	1				
2	72110-T80A-30B5	20063-00051-00	Bumper assembly	pcs	1				
3	B16674-1-08LG-020C	30101-00720-00	Bolt	pcs	4				
4	10000-E70F-D645	20260-05062-00	170F Gasoline engine	pcs	1				
5	72101-T75A-00B5	33703-00007-00	Engine support frame	pcs	1				
6	B6187-3-08LG-000C	30125-00058-00	Hexagon flange nut	pcs	2				
7	B16674-1-08LG-065C	30101-00726-00	Hexagon flange bolts	pcs	2				
8	B6170-08LG-000C	30121-00040-00	Hex nuts	pcs	4				
9	B95-080G-000C	30136-00280-00	Flat Washers	pcs	4				
10	B93-080G-000C	30139-00009-00	Spring washer	pcs	4				
11	B16674-1-08LG-040C	30101-00723-00	Hexagon flange bolts	pcs	4				

HANDLE COSRP ASSY



Series No.	Part Code		English Name	Unit	Quantity for One Unit	Order Quantity	Unit Price	Total Amount	Note
1	73201-T80A-20RP	33706-00168-00	Armrest seat	pcs	1				
2	B16674-1-08LG-020C	30101-00720-00	Hexagon flange bolts	pcs	4				
3	73202-TA5A-00RP	33711-00001-10	Sprocket plate	pcs	1				
4	B93-200G-000C	30139-00063-00	Spring washer	pcs	1				
5	73203-TA5A-000C	33710-00002-00	T-shaped locking handle assembly	pcs	1				

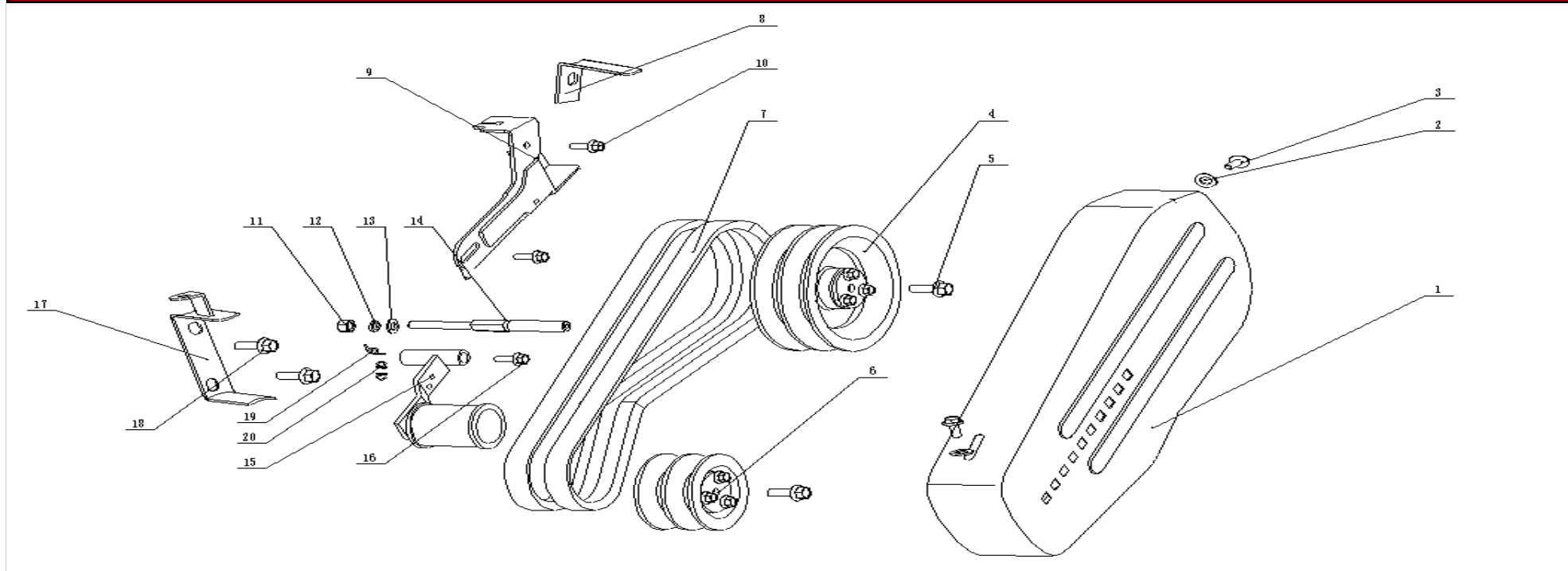
6	73003-TA5A-000C	33710-00007-00	High and low lock handle	pcs	1				
7	B93-160G-000C	30139-00013-00	Spring washer	pcs	1				
8	B95-160G-000C	30136-00256-00	Flat Washers	pcs	1				
9	B5782-16PG-150C	30100-00144-00	Hexagon head bolts	pcs	1				
10	73101-T80A-01W2	33706-00024-02	Armrest	pcs	1				
11	B5789-06KG-016C	30101-00669-00	Hexagon flange bolts	pcs	4				
12	B6187-1-06LG-000C	30128-00026-00	Hexagon flange lock nuts	pcs	4				
13	73115-TA5A-11PW	33708-00019-16	Tool Box	pcs	1				
14	73133-T90A-2000	20196-01650-00	Light switch assembly	pcs	1				
15	73104-T75B-7000	33707-00032-00	Throttle switch assembly	pcs	1				
16	73002-TA5A-1000	33015-00163-00	Handle rubber sleeve	pcs	2				
17	73105-T80A-1000	20196-01683-00	Flameout switch assembly	pcs	1				
18	73111-TA5A-00B5	33705-00025-00	Clutch handle	pcs	1				
19	73113-TA5A-010C	34006-00111-00	Handle pin	pcs	1				
20	73114-TA5A-010C	34006-00120-00	Cable cotter pin	pcs	1				
21	B896-006-000B	30150-00102-00	split washer Φ6	pcs	1				
22	B896-010-000B	30150-00104-00	split washer Φ10	pcs	1				
23	73112-T80A-4300	33707-00022-00	Clutch cable	pcs	1				
24	73001-T80A-000C	33705-00005-00	Shift lever	pcs	1				
27									
25	B882-0050-024C	34006-00102-00	B-shaped pin	pcs	2				
26	72205-T80A-000C	34006-00108-00	R type split pin	pcs	2				
28	73004-T75A-000C	33368-00278-00	Gear shift cover	pcs	1				
29	B5789-06KG-016C	30101-00669-00	Hexagon flange bolts	pcs	2				
PULLEY COSRP ASSY									



Series No.	Part Code		English Name	Unit	Quantity for One Unit	Order Quantity	Unit Price	Total Amount	Note
1	72203-T80A-000C	34006-00112-00	plug pin	pcs	1				
2	B95-100G-000C	30136-00240-00	Flat washer 10	pcs	1				
3	B6170-10MG-000C	30121-00029-00	Hexagon flange nut M10	pcs	1				
4	B93-100G-000C	30139-00024-00	Spring cushion 10	pcs	1				
5	B16674-1-08LG-025C	30101-00721-00	Hexagon flange bolt M8x25	pcs	2				
6	72204-TA5A-00B5	33709-00059-00	L-type resistance part	pcs	1				
7	B882-0080-040C	34006-00105-00	Type B pin shaft $\phi 8 \times 40$	pcs	1				
8	B6170-08LG-000C	30121-00040-00	Hex nut M8	pcs	2				

9	72201-T75A-00B5	33703-00067-00	The towing part	pcs	1				
10	B5782-10MG-090C	30100-00138-00	Hexagon flange bolt M10x90	pcs	1				
11	72205-TA5A-010C	34006-00110-00	R-shaped split pin $\phi 3 \times 20 \times 60$	pcs	1				
12	72202-T80A-33B5	33703-00057-00	Connection frame	pcs	1				
13	72205-TA5A-000C	34006-00109-00	R-shaped split pin $\phi 2 \times 9 \times 38$	pcs	1				
14	B5789-08KG-020C	30101-00734-00	Hexagon flange bolt M8x20	pcs	2				
15	B5783-10MG-050C	30106-00020-00	Hexagon head bolts	pcs	2				
16	B6170-10MG-000C	30121-00029-00	Hex nuts	pcs	2				

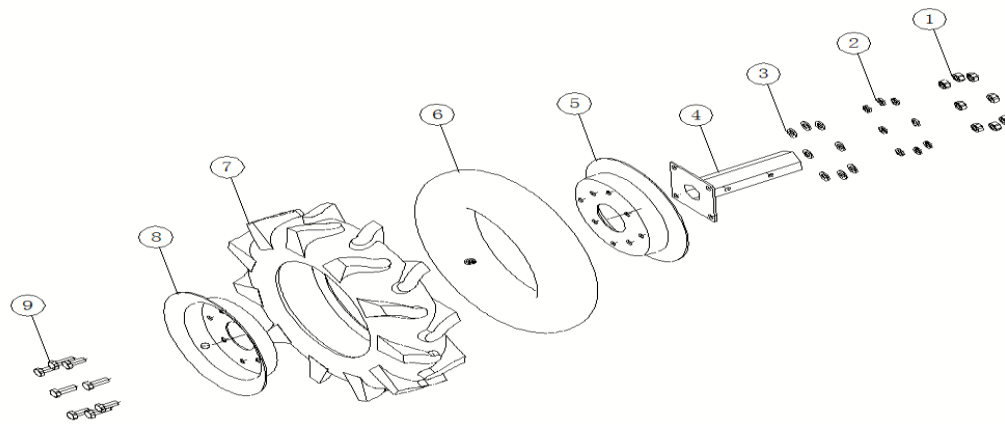
DRIVING PULLEY ASSY



Series No.	Part Code		English Name	Unit	Quantity for One Unit	Order Quantity	Unit Price	Total Amount	Note
1	71405-T80A-01RP	33704-00125-00	Belt cover	pcs	1				
2	B96-1-060G-000C	30136-00276-00	Large washers	pcs	2				
3	B5789-06KG-012C	30101-00383-01	Hexagon flange bolts	pcs	2				
4	71402-T80A-00B5	33049-00101-00	Driven pulley	pcs	1				
5	B16674-1-08LG-020C	30101-00720-00	Hexagon flange bolts	pcs	2				

6	71401-T80A-11B5	33049-00105-00	Active pulley	pcs	1				
7	71404-T80A-1000	33712-00006-00	belt	pcs	2				
8	71412-T80A-000C	33004-00739-00	Tension block B	pcs	1				
9	71408-T75A-000C	33004-00713-00	Connecting plate	pcs	1				
10	B16674-1-08LG-016C	30101-00719-00	Hexagon flange bolts	pcs	2				
11	B6170-08LG-000C	30121-00040-00	Hex nuts	pcs	1				
12	B93-080G-000C	30139-00009-00	Spring washer	pcs	1				
13	B95-080G-000C	30136-00280-00	Flat Washers	pcs	1				
14	71413-T80A-000C	33702-00013-00	Tensioner mandrel	pcs	1				
15	71420-T80A-000B	20061-00005-00	Tensioner assembly	pcs	1				
16	B5789-06KG-016C	30101-00669-00	Hexagon flange bolts	pcs	1				
17	71411-T75A-230C	33004-00737-00	Tension block A, B components	pcs	1				
18	B16674-1-08LG-016C	30101-00719-00	Hexagon flange bolts	pcs	2				
19	71414-T80A-100C	33050-00054-00	Tensioner tension spring	pcs	1				
20	71418-T75A-000C	33050-00055-00	Tensioner torsion spring	pcs	1				

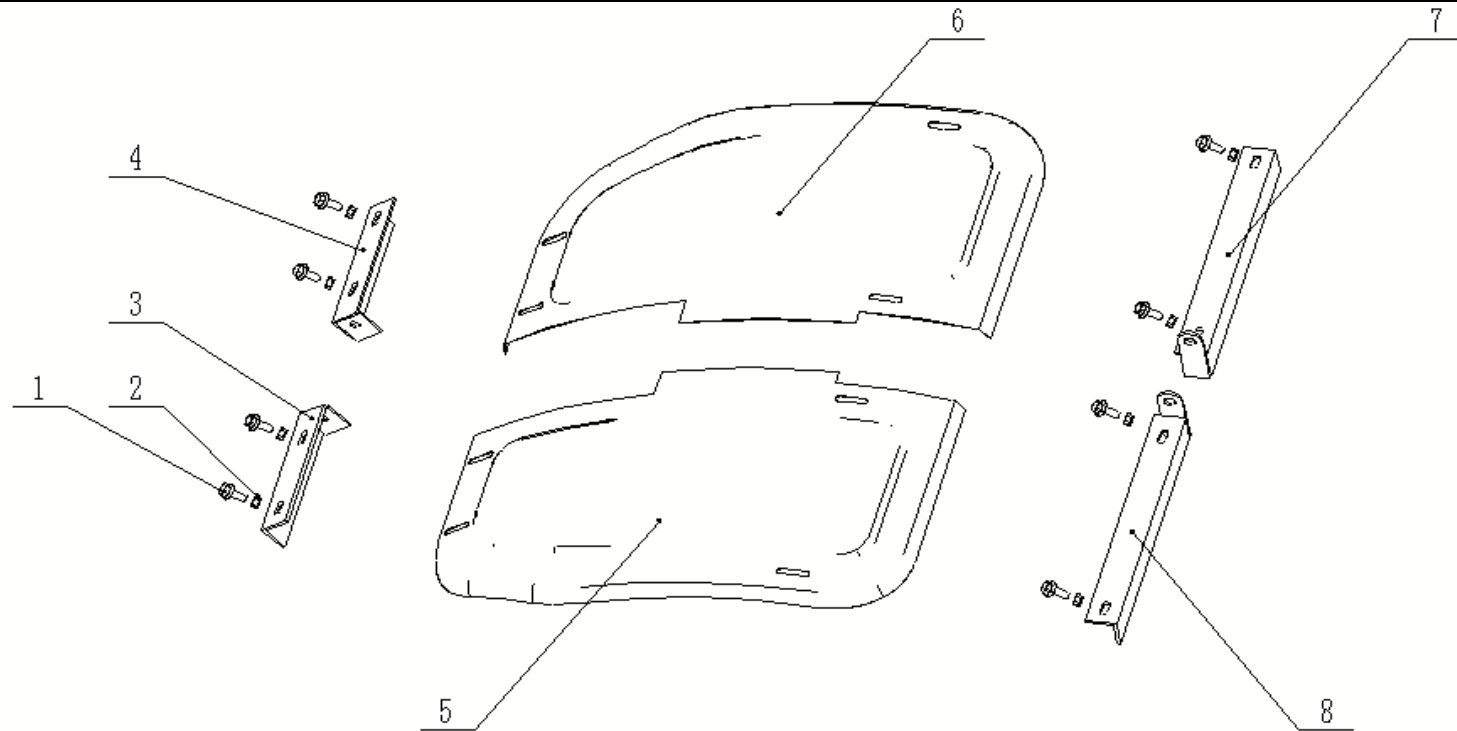
WHEEL ASSY



Series No.	Part Code		English Name	Unit	Quantity for One Unit	Order Quantity	Unit Price	Total Amount	Note
1	B6170-10MG-000C	30121-00029-00	HEXAGON FLANGE NUTSM10	pcs	16				
2	B93-100G-000C	30139-00024-00	WASHER SPRING 10	pcs	8				
3	B95-100G-000C	30136-00240-00	WASHER 10	pcs	8				
4	75115-T80A-90B5	34031-00114-00	WHEEL SHAFT	pcs	2				

5	75113-TA5A-00W2	20134-00302-00	INSIDE WHEEL HUB	pcs	2				
6	75112-TA5A-0000	20134-00212-00	INNER TUBE 4.00-8	pcs	2				
7	75111-TA5A-0000	20134-00236-00	OUTTER TUBE 4.00-8	pcs	2				
8	75114-TA5A-00W2	20134-00304-00	OUTSIDE WHEEL HUB	pcs	2				
9	B5783-10MG-025C	30106-00002-01	HEXAGON FLANGE BOLTM10x25	pcs	8				

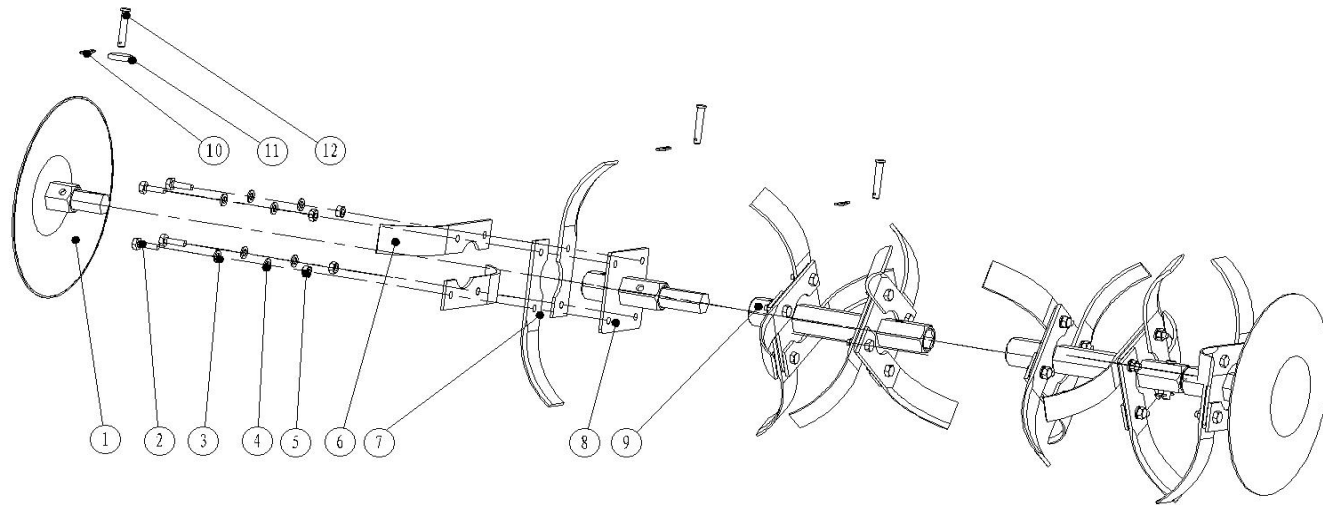
MUD DFENDER ASSY



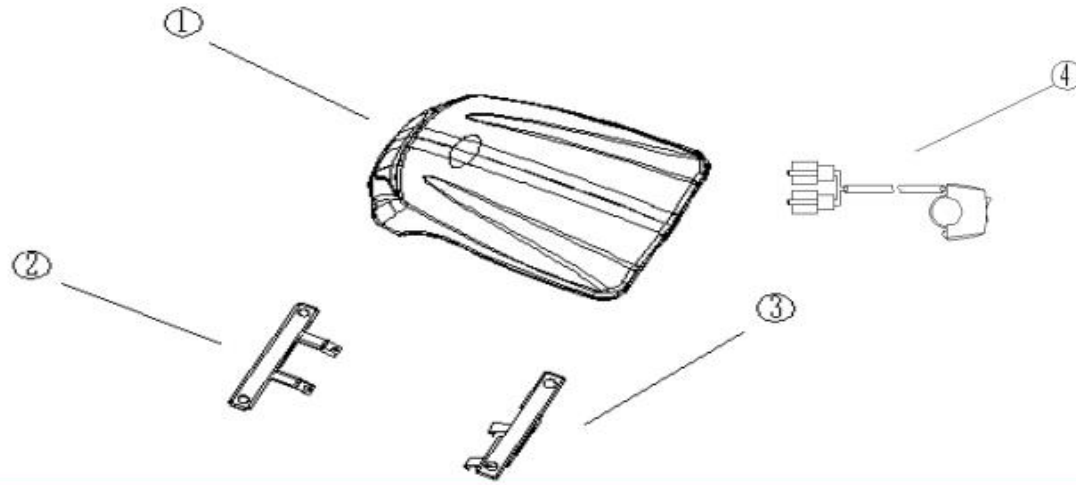
Series No.	Part Code		English Name	Unit	Quantity for One Unit	Order Quantity	Unit Price	Total Amount	Note
1	B5789-06KG-016C	30101-00669-00	Hexagon flange bolts	pcs	8				
2	B6187-1-06LG-000C	30128-00026-00	hexagonal flange lock nuts	pcs	8				
3	74122-T75A-20B5	33004-00704-00	Left bracket of front fender	pcs	1				
4	74122-T75A-21B5	33004-00664-00	Right bracket of front fender	pcs	1				
5	74112-T75A-40RP	33704-00119-00	Left fender	pcs	1				
6	74111-T75A-40RP	33704-00124-00	Right fender	pcs	1				

7	74121-T75A-21B5	33004-00709-00	Right bracket of rear fender	pcs	1				
8	74121-T75A-20B5	33004-00655-00	Left bracket of rear fender	pcs	1				

BLADES ASSY



Series No.	Part Code	(新代码)	English Name	Unit	Quantity for One Unit	Order Quantity	Unit Price	Total Amount	Note
1	79512-T80A-51B5	33709-00057-00	DISC	pcs	2				
2	B5783-10MG-030C	30106-00017-00	HXAGON FLANGE BOLTM10x30	pcs	24				
3	B95-100G-000C	30136-00240-00	WASHER 10	pcs	24				
4	B93-100G-000C	30139-00024-00	WASHER SPRING 10	pcs	24				
5	B6170-10MG-000C	30121-00029-00	HXAGON FLANGE NUT M10	pcs	24				
6	79114-T80A-01B5	33709-00017-00	Blade (R)	pcs	12				
7	79113-T80A-01B5	33709-00025-00	Blade (L)	pcs	12				
8	79121-T75A-6300	33709-00016-00	VICE BLADE CYLINDER	pcs	2				
9	79121-T75A-0000	33709-00020-00	BLADE CYLINDER	pcs	2				
10	72205-TA5A-000C	34006-00109-00	R PINφ2×9×38	pcs	4				
11	B882-0080-040C	34006-00105-00	B PIN 8×40	pcs	4				



Series No.	Part Code		English Name	Unit	Quantity for One Unit	Order Quantity	Unit Price	Total Amount	Note
1	73411-T75A-20PW	33708-00023-00	lamp cover	pcs	1				
2	73401-T75C-20B5	33004-00839-00	Front bracket of lamp cover	pcs	1				
3	73402-T75C-20B5	33004-00840-00	Rear bracket of lamp cover	pcs	1				