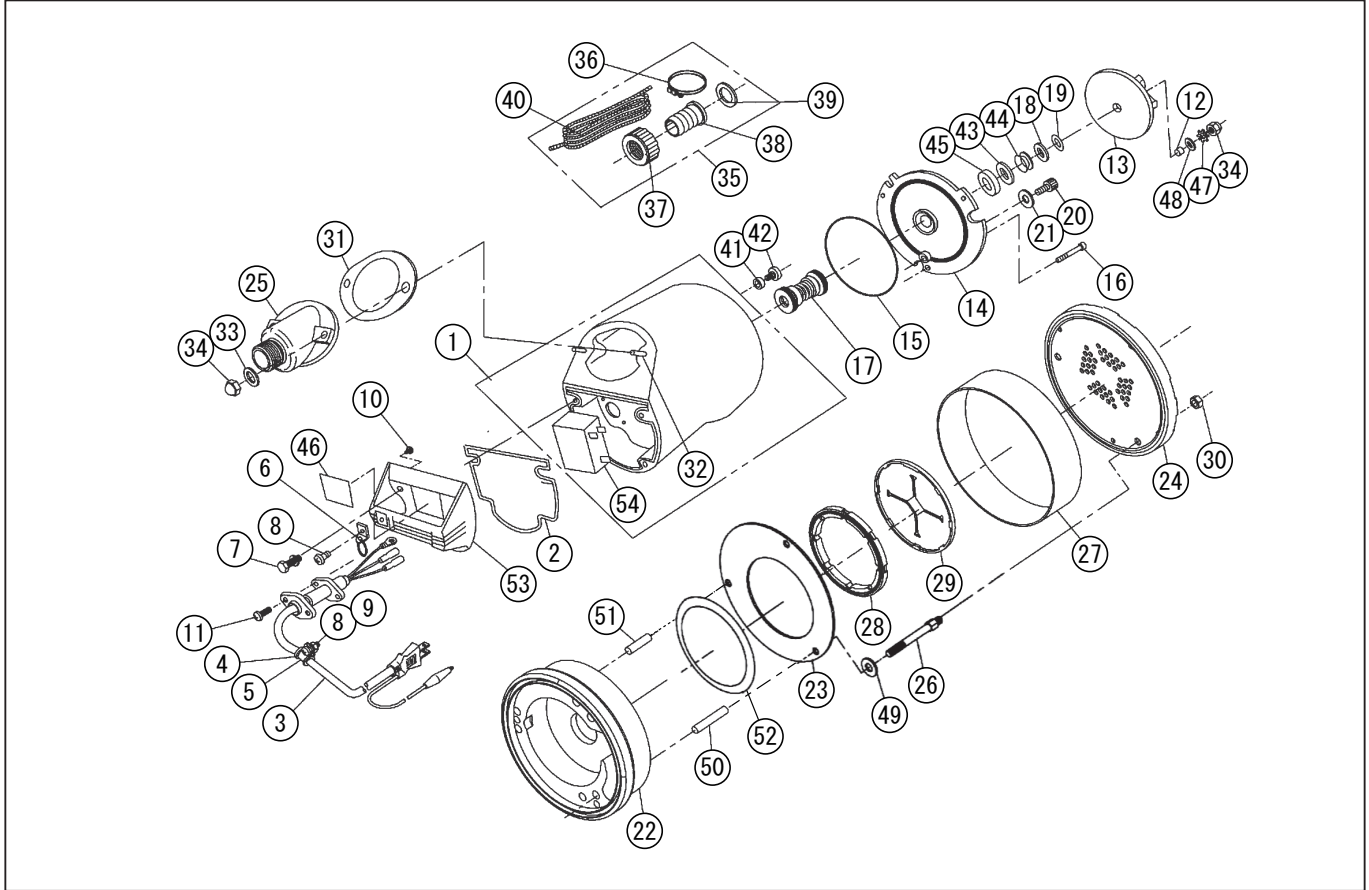


DWG No.043857 110 MODELE : PXL-52522 FORM : PXL-52522-BAA-0

No.	PARTS CODE	PARTS NAME	QTY	MATERIAL/SIZE	REMARKS
1	043809702	MOTOR ASSY	1		
2	043040101	HEAD PACKING	1		
3	043028901	POWER CORD ASSY	1	5M	
4	039003101	CORD SUPPORTER	1		
5	026001801	CORD BAND	1		
6	043809201	CHAIN ASSY	1		
7	043040601	HEXAGON BOLT	4	M6×18 SUS	
8	039048301	+ SCREW	2	M5×10 SUS	
9	043040901	HEXAGON NUT	1	M5 SUS	
10	043041001	+ SCREW	1	M4×6 SWRM	
11	043041101	+ SCREW	2	M5×14	
12	043044101	IMPELLER FIXING BUSH	1	SUS	
13	043028505	IMPELLER	1		
14	043027103	FRONT COVER	1	ADC	
15	889955125	O-RING	2	G125 NBR	
16	734505037	HEXAGON SOCKET BOLT	3	M5×20 SUS	
17	039000301	MECHANICAL SEAL	1	DE560	
18	043030001	IMPELLER WASHER	1	SUS	
19	039002501	IMPELLER ADJUSTING WASHER	2	SUS	
20	039003702	HEXAGON SOCKET BOLT	1	M10×12 SUS	
21	854255010	SEAL WASHER	1	φ 10	
22	043033401	CASING	1		
23	043032901	SUCTION	1	SUS T=2.5	
24	043024101	STRAINER	1	NBR+SUS	
25	043035002	DELIVERY FLANGE	1	ADC	
26	043024201	STUD BOLT	3	SUS	
27	043023601	STRAINER STAND	1	SPCC T=25	
28	043023901	SEAL RING	1	NBR	
29	043033101	ONE WAY CHECK VALVE	1	NBR	
30	827405008	HEXAGON NUT	3	M8 SUS	

◆ Bare engine can not be supplied



DWG No.043857110 MODELE : PXL-52522 FORM : PXL-52522-BAA-0

No.	PARTS CODE	PARTS NAME	QTY	MATERIAL/SIZE	REMARKS
31	043028301	DELIVERY PACKING	1	NBR	
32	043029001	STUD BOLT	2	M8×36X11/21	
33	846005008	WASHER	2	φ8 SUS	
34	835305008	HEXAGON CAP NUT	3	M8 SUS	
35	043808002	ACCESSORIES SET	1		
36	940019032	HOSE BAND	1	φ32	
37	034078101	COUPLING	1	ABS	
38	034078201	HOSE NIPPLE	1	ABS	
39	034006501	COUPLING PACKING	1	CR	
40	039010101	ROPE	1	5M	
41	034014202	SEAL RING	1	NBR	
42	034015301	+ SCREW	1	M6×8 SUS	
43	043030101	THRUST WASHER	1	SUS	
44	895154014	OIL SEAL	1	VR14A	
45	043029901	THRUST PACKING	1	CR	
46	043037101	LABEL	1		
47	845305008	TOOTHED WASHER	1	8B SUS	
48	846505008	WASHER	1	φ8-1.6 SUS	
49	854255008	SEAL WASHER	3	φ8	
50	043036101	LONG PIPE	2	SUS	
51	043036201	SHORT PIPE	1	SUS	
52	043036001	SUCTION PACKING	1	NBR	
53	043040401	HANDLE	1		
54	043039301	CONDENSER	1		
	039038301	PARAFFIN OIL		230cc	@160/100cc
	043036901	PACKING CASE	1		
	043036802	OPERATION MANUAL	1		
	043029702	LABEL	1		
	043031102	CAUTION LABEL	1		

◆ Bare engine can not be supplied