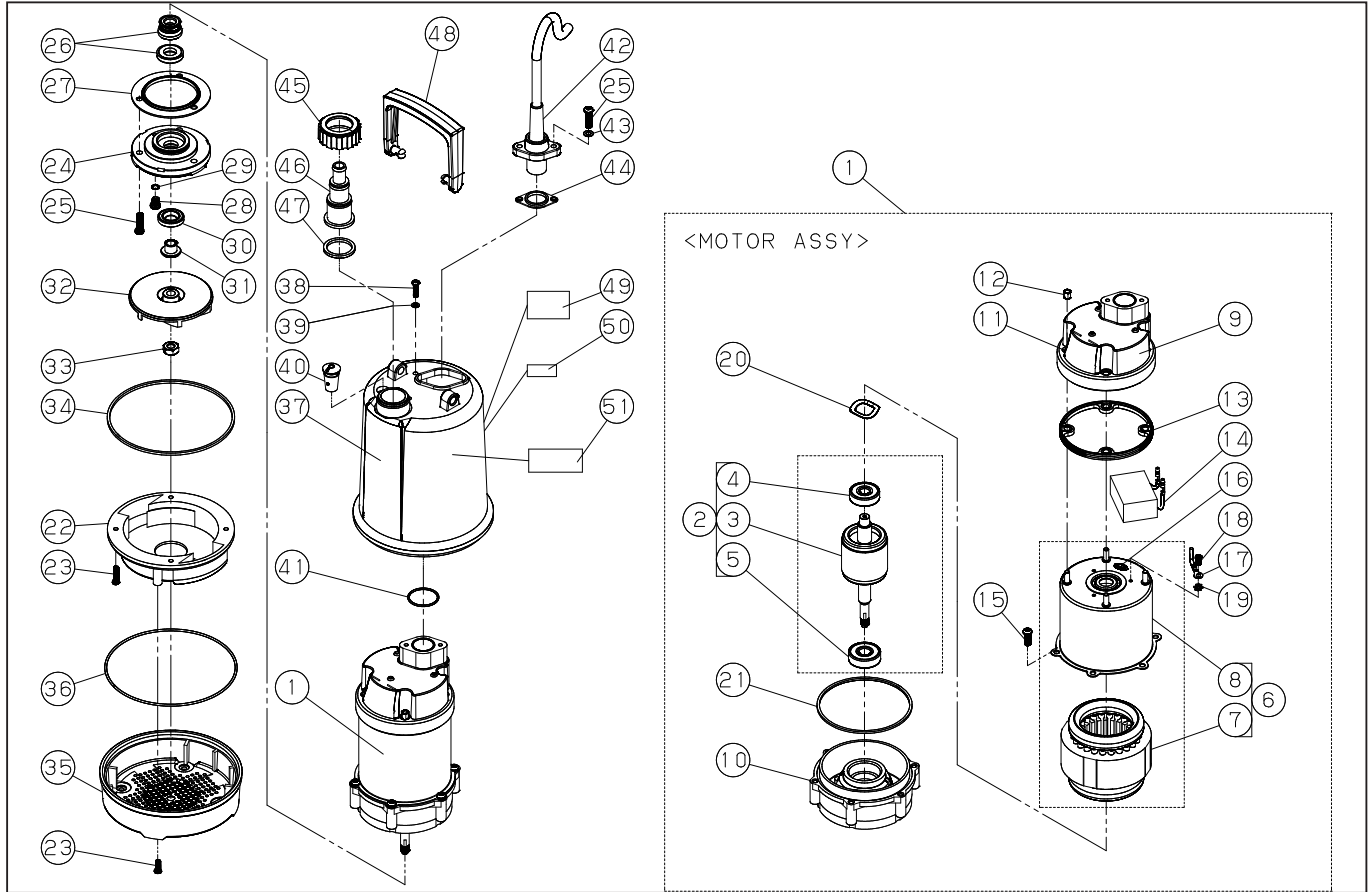


DWG No.077850101 MODELE : PXJ-150 FORM : PXJ-150-BAB-0

No.	PARTS CODE	PARTS NAME	QTY	MATERIAL/SIZE	REMARKS
1	0778041	MOTOR ASSY	1		
2	0778043	ROTOR ASSY	1		
3	0770265	ROTOR	1	SUS	
4	0770125	BEARING	1	6200LLB	
5	0770123	BEARING	1	6201LLB	
6	0778042	STATOR ASSY	1		
7	0770264	STATOR	1		
8	0770121	MOTOR CASING	1	SUS	
9	0770267	UPPER COVER	1	NYLON+FG	
10	0770266	MOTOR BOTTOM COVER	1	ABS	
11	0770131	UPPER COVER SCREW SLEEVE	4	SUS	
12	0770283	NUT	4		
13	0770134	GASKET	1	NBR	
14	0770129	CAPACITOR	1	5UF-450V	
15	0770138	SCREW	6	M5*15	
16	0770132	GROMMET	1	NBR	
17	0770020	EARTH	1	155MM	
18	0770139	SCREW	1	M4*6	
19	0770033	WASHER	1	M4	
20	0770126	WAVE WASHER	1	6200	
21	0770133	ORING	1	NBR	
22	0770270	PUMP HOUSING	1	ABS	
23	0770280	SCREW	8	M4*18	
24	0770271	COVER OF OIL CHAMBER	1	POM+FG	
25	0770153	SCREW	5	M5*20	
26	0770141	MECHANICAL SEAL	1	φ 12 S/C	
27	0770175	GASKET	1	NBR	
28	0770007	PLUG	1	M6*8	
29	0770008	ORING	1	NBR	
30	0770146	LIP SEAL	1	NBR	

◆ Bare engine can not be supplied



DWG No.077850101 MODELE : PXJ-150 FORM : PXJ-150-BAB-0

No.	PARTS CODE	PARTS NAME	QTY	MATERIAL/SIZE	REMARKS
31	0770147	SHAFT SLEEVE	1	SUS	
32	0770269	IMPELLER	1	PC+GF	
33	0770142	NUT	1	M8 SELF LOCKING NUT+NYLON	
34	0770277	GASKET	1	NBR	
35	0770268	STRAINER	1	ABS+PC	
36	0770021	ORING	1	NBR	
37	0770273	OUTER PUMP CASING	1	NYLON	
38	0770282	WASHER	3	M4	
39	0770281	SCREW	3	M4*16	
40	0770272	AIR RELEASE VALVE	1	NBR	
41	0770278	ORING	1	SILICON	
42	0778017	CABLE ASSY	1	10M	
43	0770031	WASHER	2	M5	
44	0770081	GASKET	1	SILICONE	
45	0770276	COUPLING	1	ABS	
46	0770275	DISCHARGE OUTLET	1	1" PP	
47	0770279	GASKET	1	NBR	
48	0770274	HANDLE	1	ABS	
49	0770289	PXJ-150 NAME PLATE LABEL	1	PET	
50	0770306	CAUTION LABEL	1	POLYESTER	
51	0770303	LOGO LABEL	1	PET	
	0770066	PXJ-150 PACKING CASE	1		
	0778060	MANUAL ASSY	1		
	0770053	MANUAL	1		
	0770057	PXJ SPECIFICATION	1		
	0770054	DECLARATION	1		
	0770307	OIL	0.280	SHELL VITREA OIL ISOVG32 1000CC	

◆ Bare engine can not be supplied