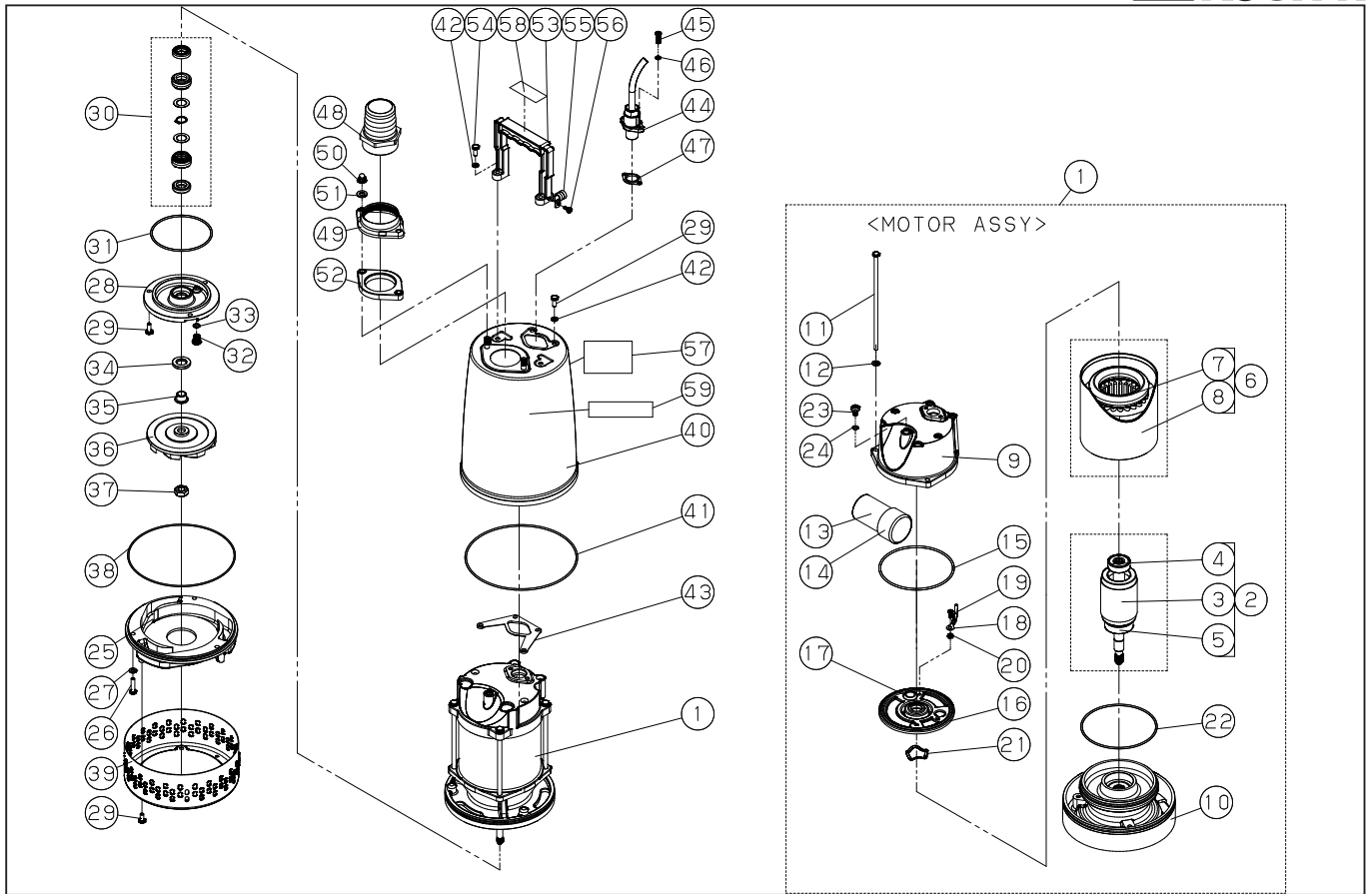


DWG No.077850401 MODELE : PXJ-750 FORM : PXJ-750-BAB-0

No.	PARTS CODE	PARTS NAME	QTY	MATERIAL/SIZE	REMARKS
1	0778038	MOTOR ASSY	1		
2	0778040	ROTOR ASSY	1		
3	0770254	ROTOR	1	SUS	
4	0770156	BEARING	1	6301LLB	
5	0770253	BEARING	1	6303LLB	
6	0778039	STATOR ASSY	1		
7	0770191	STATOR	1		
8	0770252	MOTOR CASING	1	SUS	
9	0770256	UPPER COVER	1	FC	
10	0770255	MOTOR BOTTOM COVER	1	FC	
11	0770257	SCREW	3	M6*185	
12	0770088	WASHER	3	M6	
13	0770195	CAPACITOR	1	15UF-450V	
14	0770023	SPACER	1	V0	
15	0770198	ORING	1	NBR	
16	0770194	MOTOR UPPER COVER	1	ST	
17	0770022	GROMMET	1	NBR	
18	0770020	EARTH	1	155MM	
19	0770139	SCREW	1	M4*6	
20	0770033	WASHER	1	M4	
21	0770192	WAVE WASHER	1	6301	
22	0770197	ORING	1	NBR	
23	0770007	PLUG	1	M6*8	
24	0770008	ORING	1	NBR	
25	0770260	PUMP HOUSING	1	FC	
26	0770210	SCREW	3	M6*25	
27	0770088	WASHER	3	M6	
28	0770301	COVER OF OIL CHAMBER	1	FC	
29	0770025	SCREW	8	M6*12	
30	0778028	MECHANICAL SEAL ASSY	1	∅ 16 C/C,S/C	

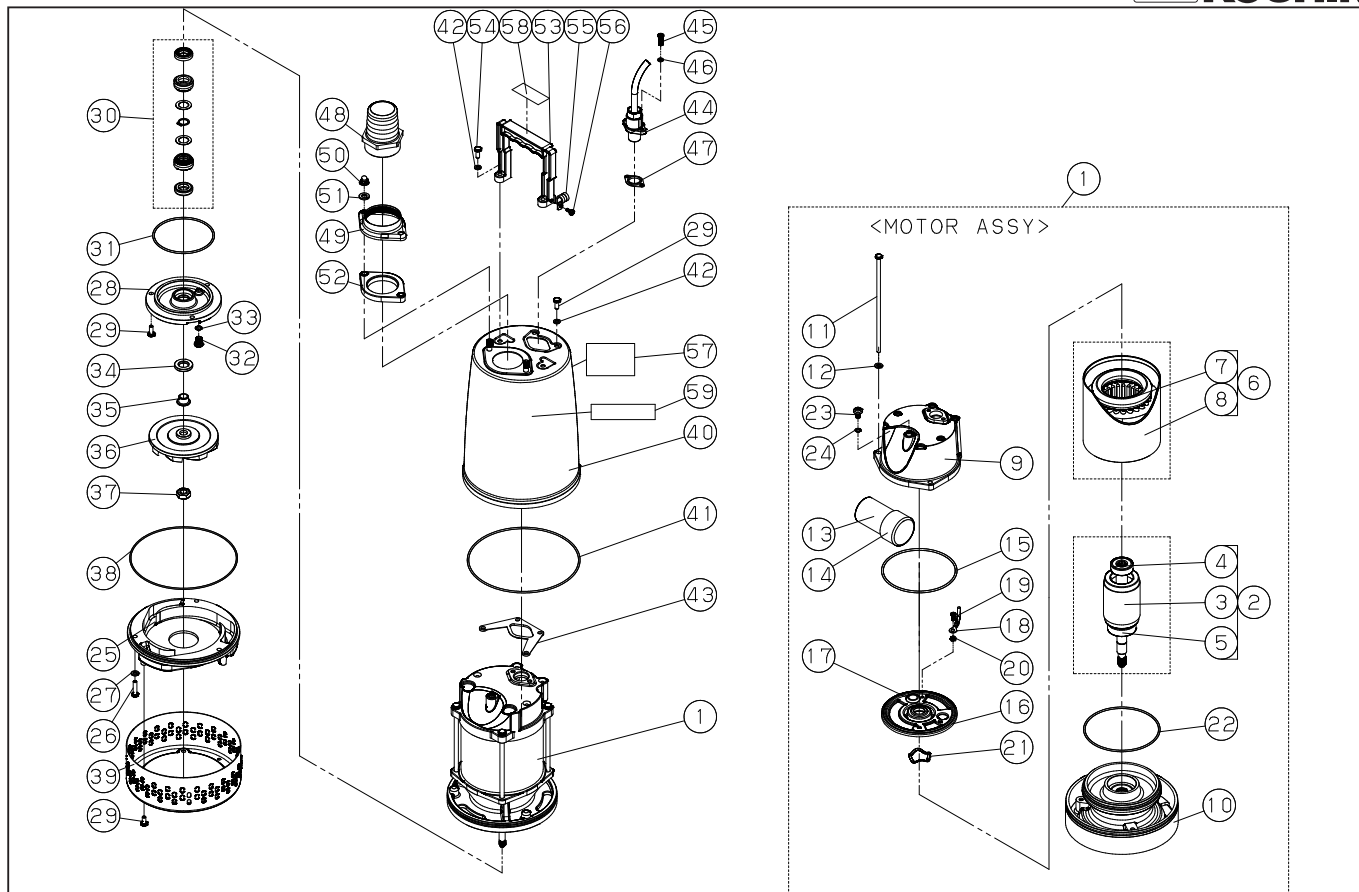
◆ Bare engine can not be supplied



DWG No.077850401 MODELE : PXJ-750 FORM : PXJ-750-BAB-0

No.	PARTS CODE	PARTS NAME	QTY	MATERIAL/SIZE	REMARKS
31	0770133	ORING	1	NBR	
32	0770007	PLUG	1	M6*8	
33	0770008	ORING	1	NBR	
34	0770207	LIP SEAL	1	NBR	
35	0770261	SHAFT SLEEVE	1	SUS	
36	0770259	IMPELLER	1	FCD	
37	0770204	NUT	1	M16	
38	0770243	ORING	1	NBR	
39	0770258	STRAINER	1	SUS	
40	0770262	OUTER PUMP CASING	1	SUS	
41	0770263	ORING	1	NBR	
42	0770180	WASHER	4	M6	
43	0770245	GASKET	1	NBR	
44	0778004	CABLE ASSY	1	10M	
45	0770030	SCREW	2	M5*18	
46	0770031	WASHER	2	M5	
47	0770081	GASKET	1	SILICONE	
48	0770186	DISCHARGE OUTLET	1	2" PP	
49	0770250	FLANGE	1	2" PS SUS	
50	0770095	NUT	2	M8	
51	0770029	WASHER	2	M8	
52	0770246	GASKET	1	2" NBR	
53	0770241	HANDLE	1	NYLON	
54	0770087	SCREW	2	M6*15	
55	0770308	CABLE CLAMPS	1	NYLON	
56	0770093	SCREW	1	M5*12	
57	0770292	PXJ-750 NAME PLATE LABEL	1	PET	
58	0770306	CAUTION LABEL	1	POLYESTER	
59	0770304	LOGO LABEL	1	PET	
	0770069	PXJ-750 PACKING CASE	1		

◆ Bare engine can not be supplied



DWG No.077850401 MODELE : PXJ-750 FORM : PXJ-750-BAB-0

No.	PARTS CODE	PARTS NAME	QTY	MATERIAL/SIZE	REMARKS
	0778060	MANUAL ASSY	1		
	0770053	MANUAL	1		
	0770057	PXJ SPECIFICATION	1		
	0770054	DECLARATION	1		
	0770307	OIL	0.280	SHELL VITREA OIL ISOVG32 1000CC	

◆ Bare engine can not be supplied