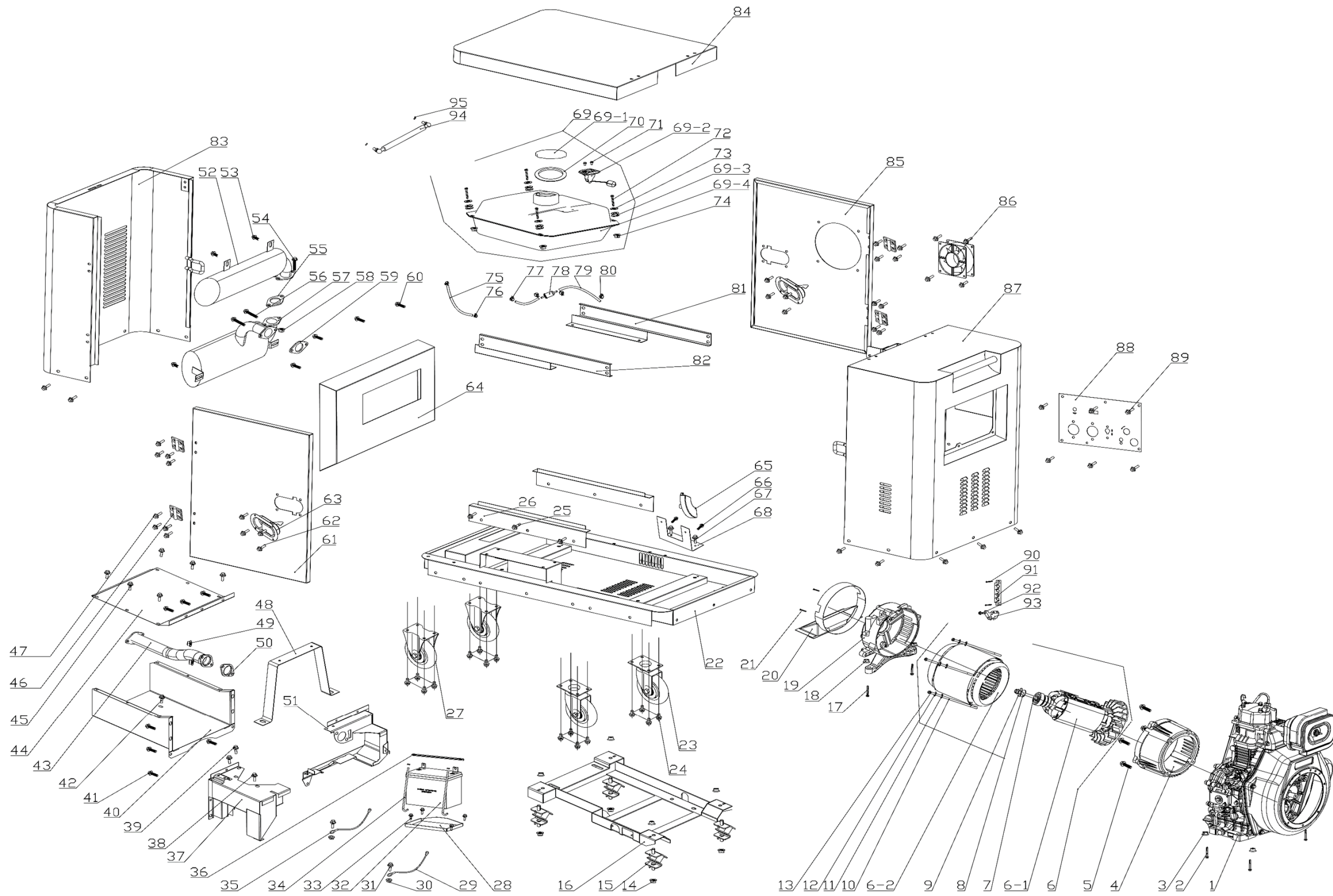


APD11000Q (Exploded view of unit)



Nr.	Cod	Produs	Descriere	
1	71.017.0125	Engine	198FD/50Hz/1:5/	1
2	72.008.5038	bolt	M8*1.25/40/S=10/8.8/	4
3	72.008.5019	Nut	M8*1.25/S=13/8.8	4
4	13.029.0052	Generator cover	204	1
5	72.008.9063	bolt	M8*1.25/30/S=10/8.8/	4
6	11.503.0050	generator	8KW/220V/380V/50HzDCY/204W *150B/JSSC/20/AVR	1
6-1	/	Generator rotor	8KW/Y/150B/280 27.95/59/1:5/204	1
7	35.014.0199	bolt	(GB/T5789) M10*1.25*260	1
8	35.018.0028	Flat pad	30*10.5*2.5	1
9	35.017.0004	Spring cushion	GB/T93*10	1
6-2	/	Generator stator	8KW/220V/380V/50HzDCY/204*150B	1
10	35.014.0077	bolt	(GB/T5789) M6*190	1
11	35.018.0004	Flat pad	GB/T95*6	4
12	35.017.0009	Spring cushion	GB/T93*6	4
13	/	/	/	/
14	72.008.9001	Nut	M10*1.5/S=14/8.8	8
15	71.011.0003	Shock absorber	80 5/M10*18/上M10*16	4
16	/	bracket	19FD/204	1
17	72.008.5038	bolt	M8*1.25/40/S=10/8.	2
18	72.008.5019	Nut	M8*1.25/S=13/8.8	2
19	13.030.0046	Motor bracket	204/6.5	1
20	/	Motor tail cover	204	1
21	35.014.0069	bolt	(GB/T5789) M5*12	3
22	/	Box base		1
23	71.022.0044	steering wheel		2
24	72.008.5034	bolt	M8*1.25/16/S=10/8.8	16
25	/	Trim panel		2
26	72.008.5026	bolt	M6*1/12/S=8/8.8	6
27	71.022.0045	Directional wheel		2

Nr.	Cod	Produs	Descriere	
28	/	Battery mounting plate	N1-9	1
29	71.022.0011	Battery positive wire	8*8/900mm/10AWG	1
30	72.008.5018	Nut	M6*1/S=10//8.8	4
31	72.008.5026	bolt	M6*1/12/S=8/8.8	2
32	71.025.0076	Battery	U1-9/12V/24A. H/197*130*185/DF	1
33	72.008.5026	bolt	M6*1/12/S=8/8.8	4
34	/	L type bolt	M6*210	2
35	71.022.0064	Battery negative wire	8*8/500mm/10AWG/	1
36	/	Battery pressure plate	U1-9	1
37	/	Rear air deflector	198	1
38	72.008.5034	bolt	M8*1.25/16/S=10/8.8/	2
39	72.008.5026	bolt	M6*1/12/S=8/8.8	1
40	/	Wind channel		1
41	72.008.5026	bolt	M6*1/12/S=8/8.8	6
42	72.008.5034	bolt	M8*1.25/16/S=10/8.8	2
43	/	Bellows	198	1
44	/	Wind channel cover		1
45	72.008.5026	bolt	M6*1/12/S=8/8.8	9
46	/	Hinge	M6/	6
47	72.008.5026	bolt	M6*1/12/S=8/8.8	24
48	/	Air duct support plate		1
49	/	Nut	M8*1.25/8.8	2
50	/	Muffler gasket	198FD	1
51	/	Front wind deflector	198FD	1
52	/	silencer-2	198FD	1
53	72.008.5034	bolt	M8*1.25/16/S=10/8.8	4
54	72.008.9063	bolt	M8*1.25/30/S=10/8.8	2
55	/	Muffler gasket	198FD	1
56	72.008.9063	bolt	M8*1.25/30/S=10/8.8	2
57	/	silencer-1	198FD	1
58	72.008.5019	Nut	M8*1.25/8.8	2
59	/	Muffler gasket	198FD	1
60	72.008.5026	bolt	M6*1/12/S=8/8.8	12
61	/	door plank-1		1
62	72.008.5026	bolt	M6*1/12/S=8/8.8	8

63	/	Door lock		1
64	/	Muffler mounting chamber		1
65	12.012.0300.1	A. V. R.		1
66	72.008.5028	bolt	M6*1/16/S=8/8.8	2
67	72.008.5026	bolt	M6*1/12/S=8/8.8	2
68	/	A.V.R. Mounting plate		1
69	/	Fuel tank	12.5L	1
69-1	/	Fuel tank cap		1
70	/	Damping washer		1
71	71.023.0006	bolt	M5*10/GB/T 819.1-2000	2
69-2	71.025.0367	Fuel level gauge	88mm	1
72	72.008.5028	bolt	M6*1/16/S=8/8.	4
73	72.008.9061	Fuel tank gasket	6*22*2	4
69-3	/	/		/
69-4	/	Fuel tank cavity	12.5L	1
74	/	/		/
75	71.022.0008	Fuel return pipe	4.5*8.5	0.6
76	72.008.0068	Clamp	B8	2
77	72.008.5002	Clamp	B13	1
78	71.009.0006	Diesel filter	101*31*37/	1
79	71.022.0056	Fuel inlet pipe	8*14	0.3
80	72.008.0072	Clamp	B12	3
81	/	Oil tank lug-1		1
82	/	Oil tank lug-2		1
83	/	Muffler side plate		1
84	/	Top cover		1
85	/	door plank-2		1
86	71.025.0204	Axial fan	220V/155*155	1
87	/	Power side panel		4
88	71.019.0283	Control panel assembly	APD11000Q/230V/400V/36A/1 32A250V/116A 415V BOM	1
89	72.008.5026	bolt	M6*1/12/S=8/8.8	6
90	35.014.0069	bolt	(GB/T5789) M5*12	2
91	12.015.0016	Wiring board assembly	85.5*24*2	1

92	35.014.0069	bolt	(GB/T5789) M5*12	1
93	12.014.0019	Carbon brush	190	1
94	/	Hydraulic eject		1
95	72.008.5018	nut	/M6*1/S=10/8.8	2