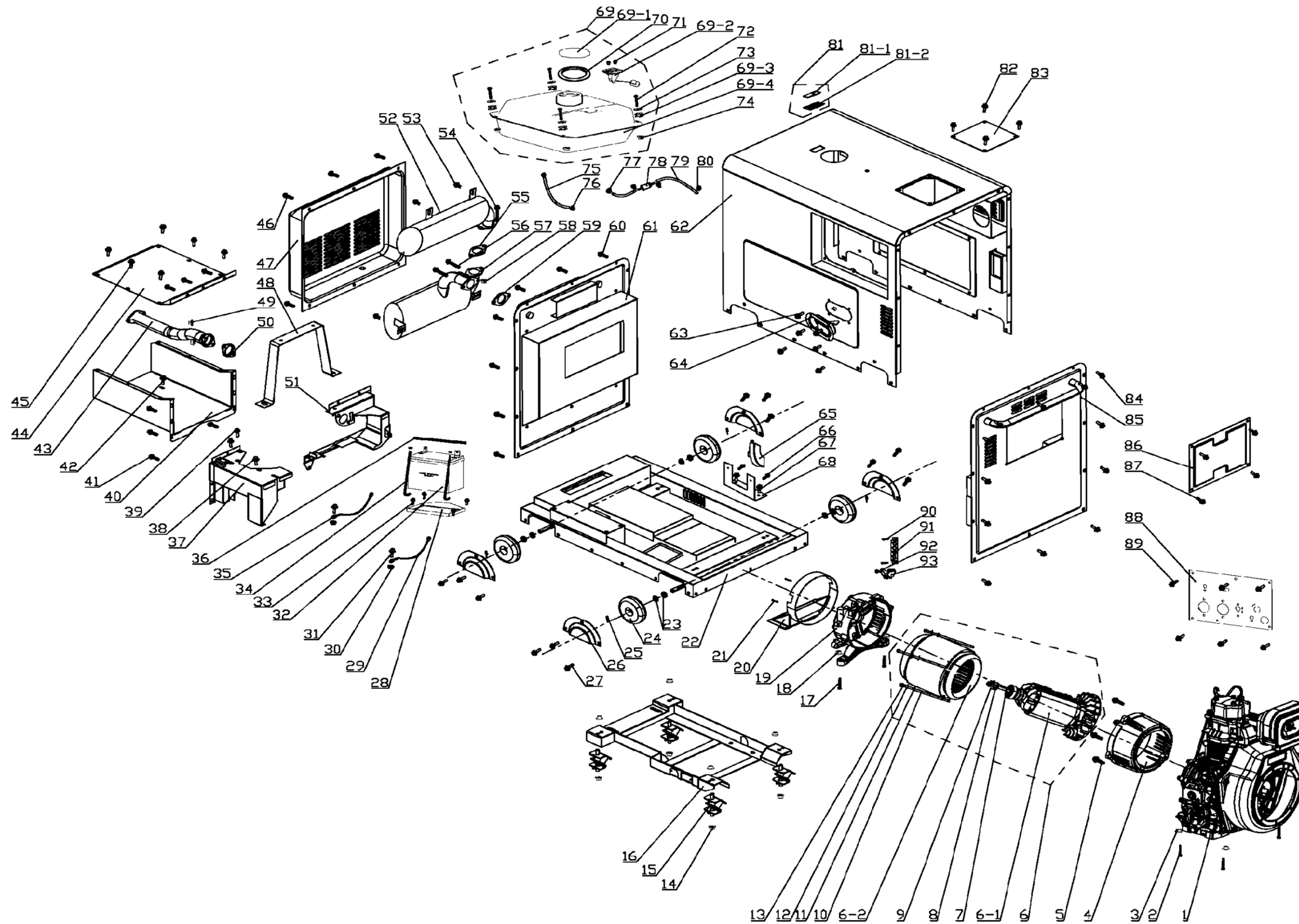


APD9500Q (Exploded view of unit)



Nr.	Cod	Piesa	Descriere	
1				
	71.017.0124	Engine	192FE/50Hz/1:5	1
2	72.008.5038	bolt	M8*1.25/40/S=10/8.8	4
3	72.008.5019	Nut	M8*1.25/S=13/8.8	4
4	13.029.0017	Generator cover	φ 190	1
	13.029.0052	Generator cover	204	/
5	72.008.9063	bolt	M8*1.25/30/S=10/8.8	4
6				
	11.503.0027	generator	7KW/220V380V/50HZ/DCY/204*140B	1
6-1	12.001.1255	Generator rotor	5KW/Y/140B/275/26.35/56/1:5/2	/
	12.001.1269	Generator rotor	7KW/Y/140B/280 27.95/59/1:5/204	1
7	35.014.0396	bolt	(GB/T5789) M10*1.25*255	/
	35.014.0452	bolt	(GB/T5789) M10*1.25*275	1
8	35.018.0028	Flat pad	30*10.5 2.5	1
9	35.017.0004	Spring cushion	GB/T93*10	1
6-2	12.002.5830	Generator stator	5KW/220V/380V/50HzDCY/190*140B/JSSC	/
	12.002.5477	Generator stator	7KW/220V/380V/50HzDCY/204*140B/JSSC/204	1
10	35.014.0077	bolt	(GB/T5789) M6*185	/
	35.014.0077	bolt	(GB/T5789) M6*185	1
11	35.018.0004	Flat pad	GB/T95*6	4
12	35.017.0009	Spring cushion	GB/T93*6	4
14	72.008.9001	Nut	M10*1.5/S=14/8.8	8
15	71.011.0003	Shock absorber	80 5/M10*18/M10*16	4
16	/	bracket	188FE/190	/
	/	bracket	192FE/204	1
17	72.008.5038	bolt	M8*1.25/40/S=10/8.8	2
18	72.008.5019	Nut	M8*1.25/S=13/8.8	2
19	13.030.0005	Motor bracket	188	/
	13.030.0046	Motor bracket	204/6.5	1
20	/	Motor tail cover	188	1
21	35.014.0069	bolt	(GB/T5789) M5*12	2
22	/	Box base		1
23	72.008.9064	Axle gasket	2mm/13/GB/T 95-2002	8
24	71.022.0039	wheel	4	4
25	72.008.0038	Locating pin lock clamp	Φ2.0*18mm	4
26	/	Wheel guard		4
27	72.008.5026	bolt	M6*1/12/S=8/8.8	12
28	/	Battery mounting plate	NI-9	1
29	71.022.0011	Battery positive wire	8*8/900mm/10AWG	1
30	72.008.5018	Nut	M6*1/S=10 8.8	4
31	72.008.5026	bolt	M6*1/12/S=8/8.8	2
32	71.025.0082	Battery	U1-7/12V/18A. H/197*130*185/DF	/

Nr	Cod	Piesa	Descriere	
35	71.022.0064	Battery negative wire	8*8/500mm/10AWG/	1
36	/	Battery pressure plate	U1-9	1
37	/	Rear air deflector	188	/
	/	Rear air deflector	192	1
38	72.008.5034	bolt	M8*1.25/16/S=10/8.8	2
39	72.008.5026	bolt	M6*1/12/S=8/8.8	1
40	/	Wind channel		1
41	72.008.5026	bolt	M6*1/12/S=8/8.8	6
42	72.008.5034	bolt	M8*1.25/16/S=10/8.8	2
43	/	Bellows	188	/
	/	Bellows	192	1
44	/	Wind channel cover		1
45	72.008.5026	bolt	M6*1/12/S=8/8.8	9
46	72.008.5026	bolt	M6*1/12/S=8/8.8	6
47	/	Muffler guard plate		1
48	/	Air duct support plate		1
49	/	Nut	M8*1.25/8.8	2
50	/	Muffler gasket	188F	/
	/	Muffler gasket	192F	1
51	/	Front wind deflector	188F	/
	/	Front wind deflector	192F	1
52	/	silencer-2	188F	/
	/	silencer-2	192F	1
53	72.008.5034	bolt	M8*1.25/16/S=10/8.8	4
54	72.008.9063	bolt	M8*1.25/30/S=10/8.8	2
55	/	Muffler gasket	188F	/
	/	Muffler gasket	192F	1
56	72.008.9063	bolt	M8*1.25/30/S=10/8.8	2
57	/	silencer-1	188F	/
	/	silencer-1	192F	1
58	72.008.5019	Nut	M8*1.25/8.8	2
59	/	Muffler gasket	188F	/
	/	Muffler gasket	192F	1
60	72.008.5026	bolt	M6*1/12/S=8/8.8	12
61	/	Muffler side panel		1
62	/	Box body		1
63	72.008.5026	bolt	M6*1/12/S=8/8.8	4
64	/	Door lock		1
65	12.012.0295.1	A. V. R.	5KW	1
66	72.008.5028	bolt	M6*1/16/S=8/8.8	2
67	72.008.5026	bolt	M6*1/12/S=8/8.8	2
68	/	A. V. R. Mounting plate		1

	71.025.0083.1	Battery	6-QW-40min(280)-R/N36/12V/40A.H/196*128*223/DF	1
33	72.008.5026	bolt	M6*1/12/S=8/8.8	4
34	/	L type bolt	M6*210	2

69	/	Fuel tank	12.5L	1
69-1	/	Fuel tank cap		1

70	/	Damping washer		1
71	71.023.0006	bolt	M5*10/GB/T 819.1-2000	2
69-2	71.025.0367	Fuel level gauge	88mm	1
72	72.008.5028	bolt	M6*1/16/S=8/8.8	4
73	72.008.9061	Fuel tank gasket	6*22*2	4
69-4	/	Fuel tank cavity	/12.5L	1
74	71.022.0008	Fuel return pipe	4.5*Φ8.5	0.6
75	72.008.0068	Clamp	B8	2
76	72.008.5002	Clamp	B13	1
77	71.009.0006	Diesel filter	101*31*37	1
78	71.022.0056	Fuel inlet pipe	8*14	0.3
79	72.008.0072	Clamp	B12	3
80	71.025.0368	Fuel level gauge window		1
81	/	Rubber gasket		1
81-1	/	glass		1
82	72.008.5026	bolt	M6*1/12/S=8/8.8	4
83	/	Pressure reducing valve cover		1
84	72.008.5026	bolt	M6*1/12/S=8/8.8	10
85	/	Power side panel		1
86	/	Air filter access door		1
87	72.008.5026	bolt	M6*1/12/S=8/8.8	4
88	71.019.0282	Control panel assembly	APD9500Q/230V/400V	1
89	72.008.5026	bolt	M6*1/12/S=8/8.8	6
90	35.014.0069	bolt	(GB/T5789) M5*12	2
91	12.015.0016	Wiring board assembly	85.5*24*26	1
92	35.014.0069	bolt	(GB/T5789) M5*12	1
93	12.014.0007	Carbon brush	190UL	1