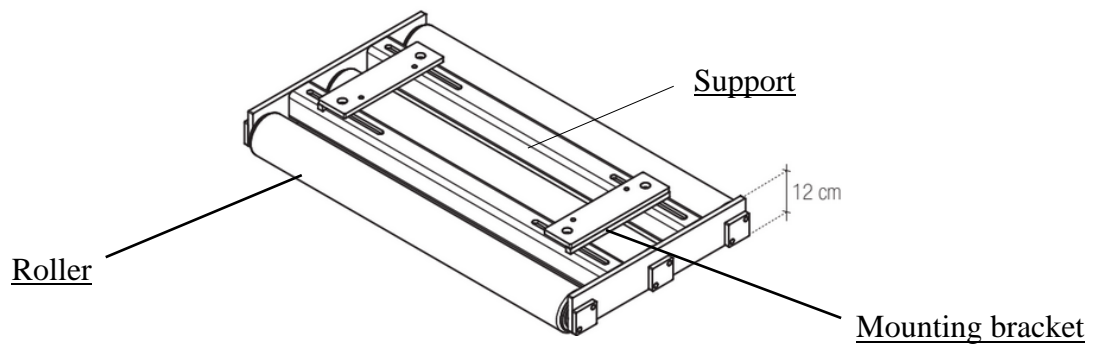
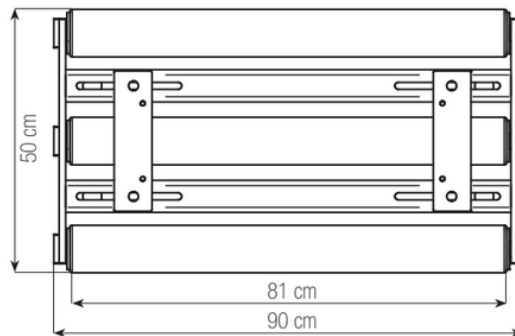


batmatic



BATROLLER B8

INSTRUCTIONS

GENERALE

- Batroller B8 is used on Batmatic specific plate compactors.
- Use the appropriate brackets for the type of machine model to be applied.


APPLICAZIONE E AVVERTENZE – BATROLLER B8

- 1) Move the 4 iron blocks and bring them to the 4 holes below the support.
Insert the 4 bolts supplied in the brackets, making sure that the threaded part is inserted inside the slot in the block.
- 2) Place the compactor in the center of the roller, then insert the brackets.
- 3) Insert the washers in the correct order as in the picture.



- 4) Insert the 4 bolts complete with washers in the brackets, making sure that the threaded part is inserted inside the slot in the block.



 **It is forbidden to use the machine with the vibrating unit in excessive overhang with respect to the roller conveyor.**

- 5) Tighten the 4 cross bolts with a torque wrench to **260 Nm**.



ATTENTION: DO NOT USE THE MACHINE WITH LOOSE BOLTS.
CHECK THE CORRECT TIGHTENING OF THE BOLTS ALL TIMES BEFORE THE USE (see point 5).