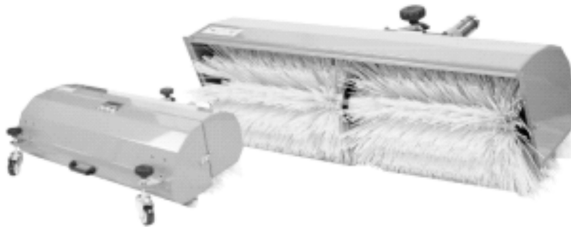








Manual de utilizare
Ръководство за експлоатация и Поддръжка
Használati és karbantartási kézikönyv
User manual



-  DISPOZITIV MĂTURAT, pg. 4
-  УКАЗАНИЯ ЗА ИНСТАЛИРАНЕ pg. 8
-  TELEPÍTÉSI UTASÍTÁSOK pg. 10
-  SWEEPER, pg. 12

**Pentru
BTA-MF360**

BTA - SW360



Italia Star Com Due S.R.L.

Autostrada Bucuresti-Pitesti, km. 13/2, Loc. Chiajna, IF


 004/021.433.03.27

info@italiastar.ro

www.italiastar.ro



Italia Star Com Due S.R.L.

 004/021.433.03.27

 info@italiastar.ro

 www.italiastar.ro



Product Service

Attestation of Conformity

No. M8A 18 03 72518 026

Holder of Certificate: Changzhou Simade Power Equipment Manufacturing Co., Ltd.

No. 76 Yulong Road, Xuejia Town
213125 Changzhou, Jiangsu
PEOPLE'S REPUBLIC OF CHINA

Product: Agriculture and Gardening Equipment
Multipurpose garden tool

Model(s): MF360+GC360, MF360L+GC360, MF360+ST360,
MF360L+ST360, MF360+SW360, MF360L+SW360,
MF360+DB360, MF360L+DB360

Parameters:

Rated power	4.0kW/3600/min
Displacement	196cm ³

Tested according to: EN 12733:2001/A1:2009
EN ISO 12100:2010
ISO 8437:1989/A1:1997

This Attestation of Conformity is issued on a voluntary basis according to Council Directive 2006/42/EC relating to machinery. It confirms that the listed equipment (not Annex IV equipment) complies with the principal protection requirements of the directive. It refers only to the sample submitted to TÜV SÜD Product Service GmbH for testing and certification. See also notes overleaf.

Test report no.: 4840312039301



Date, 2018-03-16


(Qifeng Gu)

CE After preparation of the necessary technical documentation as well as the EC declaration of conformity the required CE marking can be affixed on the product. Other relevant directives have to be observed.

Page 1 of 1

ACCESORII OPTIONALE



Italia Star Com Due S.R.L.

 004/021.433.03.27

 info@italiastar.ro

 www.italiastar.ro

INSTRUCȚIUNI DE INSTALARE

BTA-SW360

- 1、Consultați imaginea de mai jos pentru a instala toate componentele

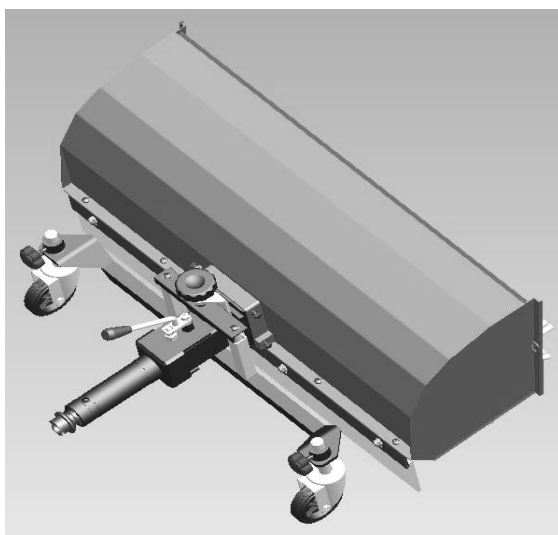
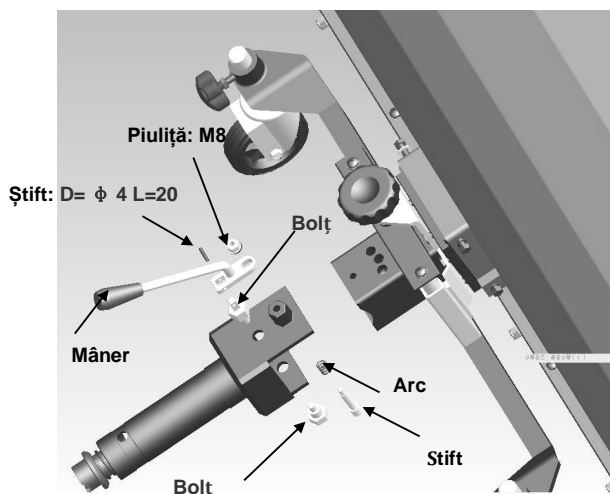


Figura 1

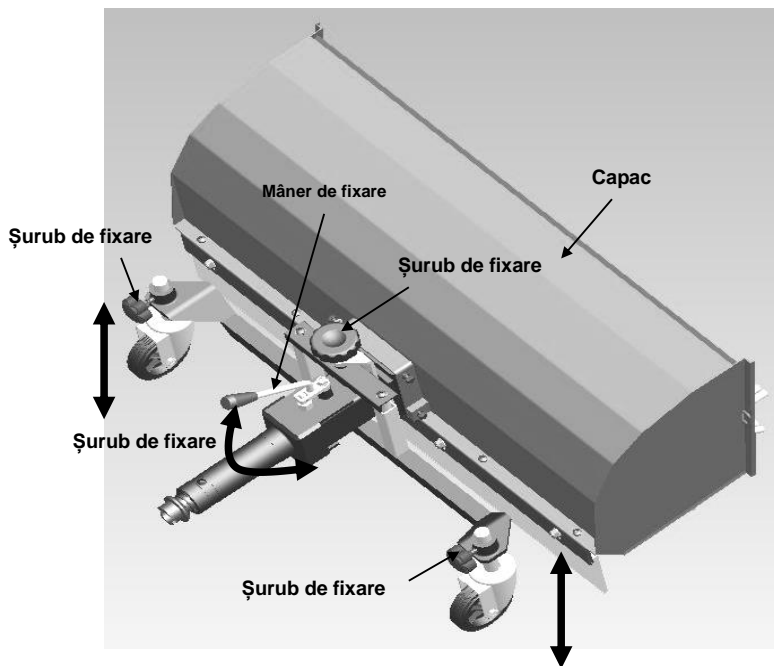


Figura 2

OPTIONAL ACCESSORIES



Italia Star Com Due S.R.L.

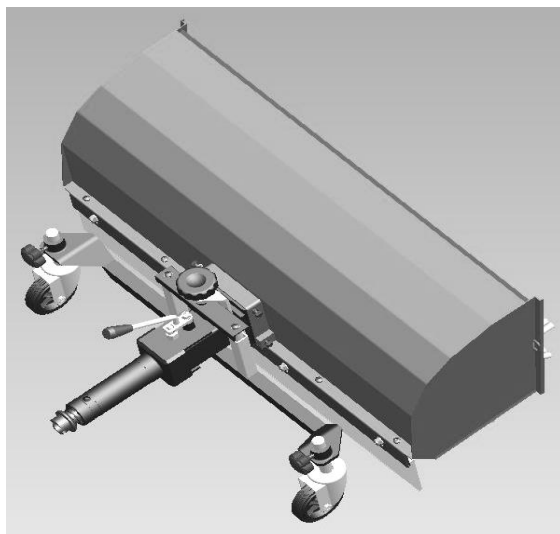
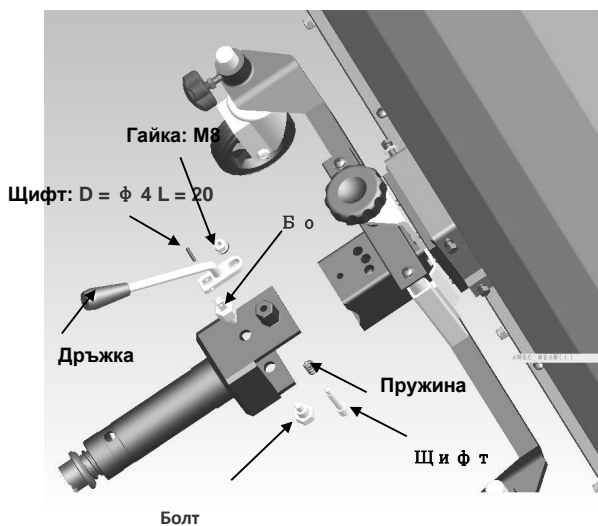
 004/021.433.03.27

 info@italiastar.ro

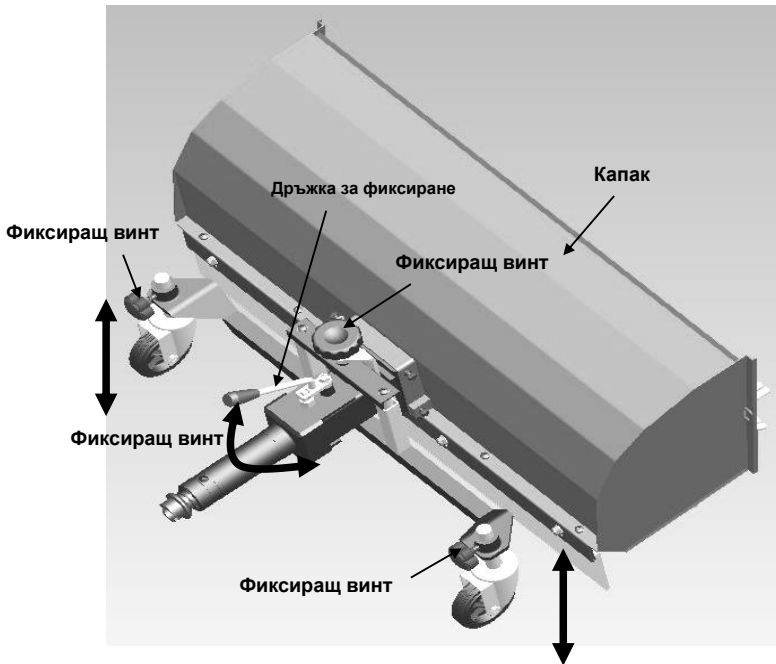
 www.italiastar.ro

УКАЗАНИЯ ЗА ИНСТАЛИРАНЕ

1. Вижте изображението по-долу, за да инсталирате всички компоненти



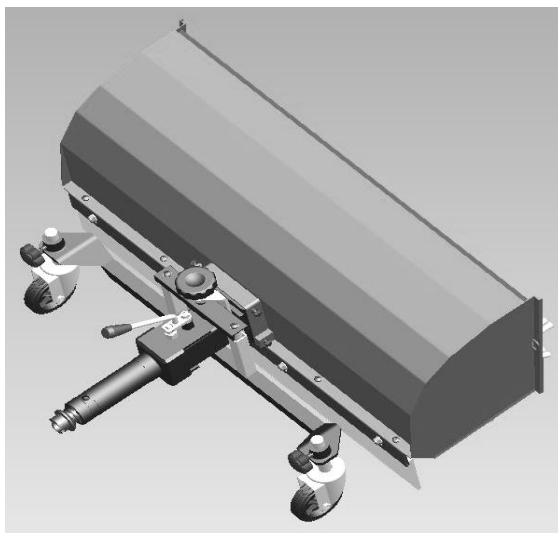
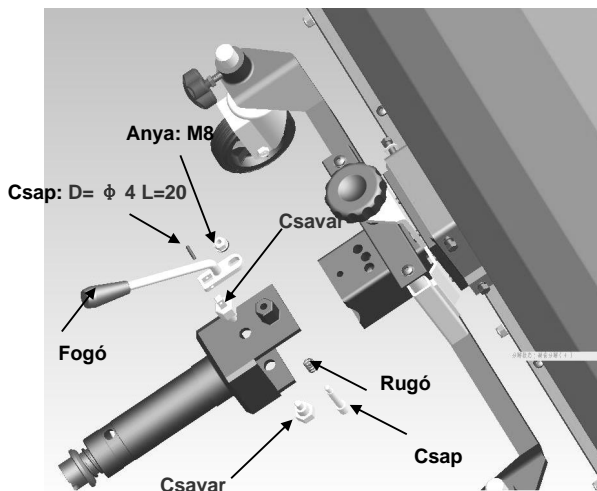
Фигура 1



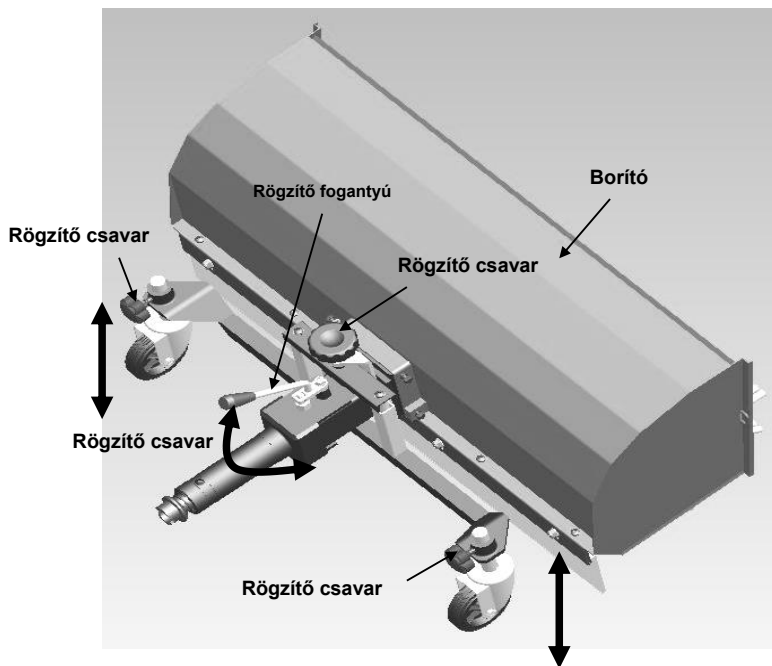
Фигура 2

TELEPÍTÉSI UTASÍTÁSOK

1、 Tekintse meg az alábbi ábrát a komponensek felszereléséhez



1. ábra



2. ábra

Installation instruction

BTA-SW360

1. Refer to below picture to install all components

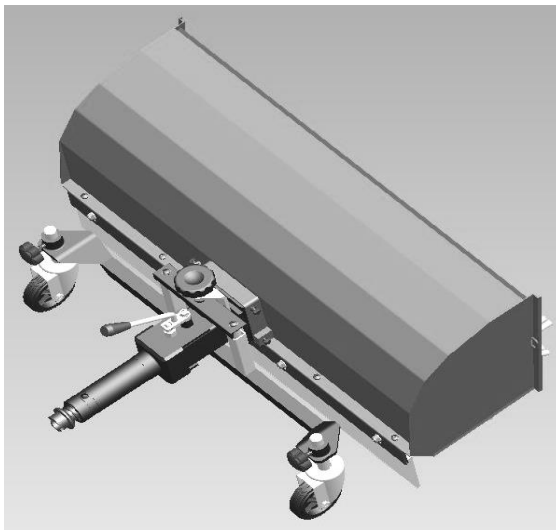
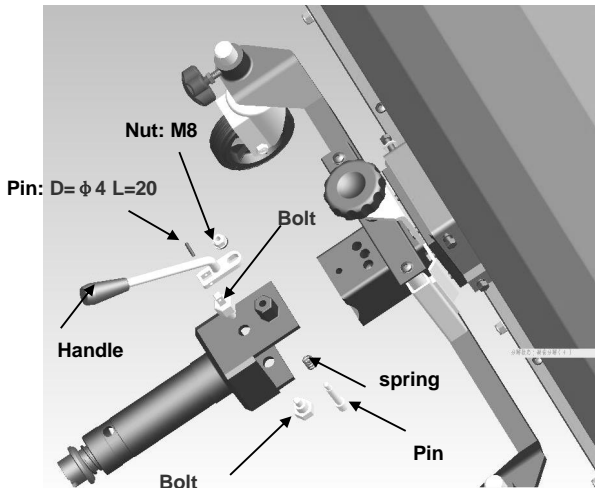


Figure 1

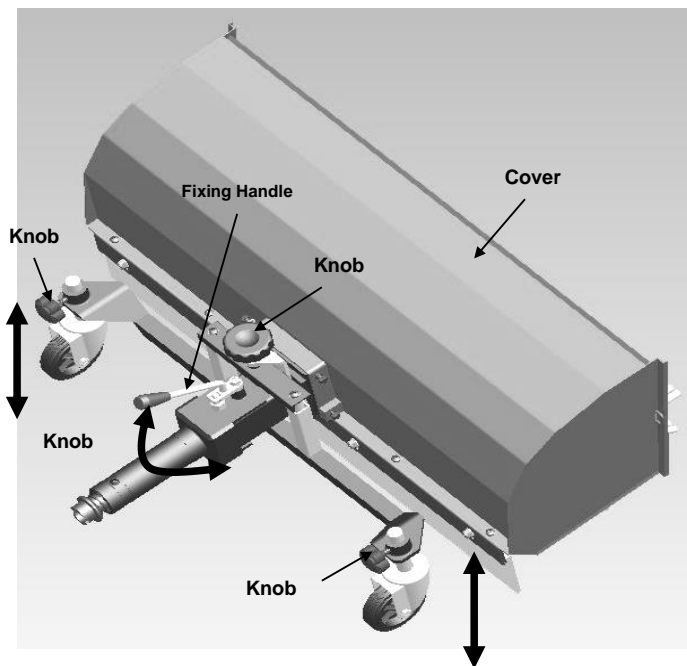


Figure 2



Italia Star Com Due S.R.L.


 004/021.433.03.27

 info@italiastar.ro

 www.italiastar.ro



Italia Star Com Due S.R.L.

 004/021.433.03.27

 info@italiastar.ro

 www.italiastar.ro



www.bisonte-romania.ro



Italia Star Com Due S.R.L.

Autostrada Bucuresti-Pitesti, km. 13/2, Loc. Chiajna, IF

 004/021.433.03.27

info@italiastar.ro

www.italiastar.ro